

# HC-STA-D07-BWSCF-EL-AL - Housing

1419251

<https://www.phoenixcontact.com/us/products/1419251>

Please be informed that the data shown in this PDF document is generated from our online catalog. Please find the complete data in the user documentation. Our general terms of use for downloads are valid.



Panel mounting base D7, with single locking latch, material: Die-cast aluminum, salt water resistant, protective cover material: PA, height: 25.5 mm, cable gland: none, protective cover: yes, Standard, for socket inserts

勝特力電材超市-龍山店 886-3-5773766  
勝特力電材超市-光復店 886-3-5729570  
勝特力電子(上海) 86-21-34970699  
勝特力電子(深圳) 86-755-83298787  
<http://www.100y.com.tw>

## Commercial data

Item number	1419251
Packing unit	1 pc
Minimum order quantity	1 pc
Sales key	BF56
Product key	BF7APF
Catalog page	Page 517 (C-2-2019)
GTIN	4055626159829
Weight per piece (including packing)	26.8 g
Weight per piece (excluding packing)	26.8 g
Customs tariff number	85389099
Country of origin	CN

# HC-STA-D07-BWSCF-EL-AL - Housing



1419251

<https://www.phoenixcontact.com/us/products/1419251>

## Technical data

### Notes

General	for contact inserts HC-A03, A04, D07, D08, Q02, Q03, Q04, Q05, Q07, Q12
---------	---

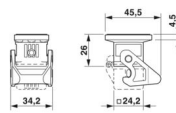
### Product properties

Product type	Housing with locking latch
Housing type	Panel mounting base
Product family	HC-STA-D07
Application	Standard
Type	D7
Protective cover	yes
Shielded	no
Pg screw connection	none

### Data management status

Article revision	02
------------------	----

### Dimensions

Dimensional drawing	
Width	34.2 mm
Height	25.5 mm
Length	24.2 mm
Hole diameter	3.2 mm

### Installation dimensions

Width of the assembly cutout	21 mm
Length of the assembly cutout	21 mm

### Material specifications

Flammability rating according to UL 94	V0 (Interlock)
	V0 (Protective cover)
Seal material Flat gasket	NBR, conductive
Seal material Profile gasket	NBR
Housing material	Die-cast aluminum, salt water resistant
Housing surface material	uncoated
Material, protective cover	PA
Locking latch material	PA

### Mechanical properties

# HC-STA-D07-BWSCF-EL-AL - Housing



1419251

<https://www.phoenixcontact.com/us/products/1419251>

## Mechanical data

Locking type	Latch
--------------	-------

## Connection data

Tightening torque	0.5 Nm ... 0.8 Nm (For M3 mounting screws on the panel-mount base)
-------------------	--

## Mounting

Assembly note	For mounting socket inserts
---------------	-----------------------------

## Environmental and real-life conditions

### Ambient conditions

Degree of protection	IP66 (with locked protective cover)
	IP67 (when plugged in)
Enclosure rating (NEMA)	4 (UL 50e)
	4X (UL 50e)
Impact strength	IK06
Ambient temperature (operation)	-40 °C ... 125 °C

# HC-STA-D07-BWSCF-EL-AL - Housing

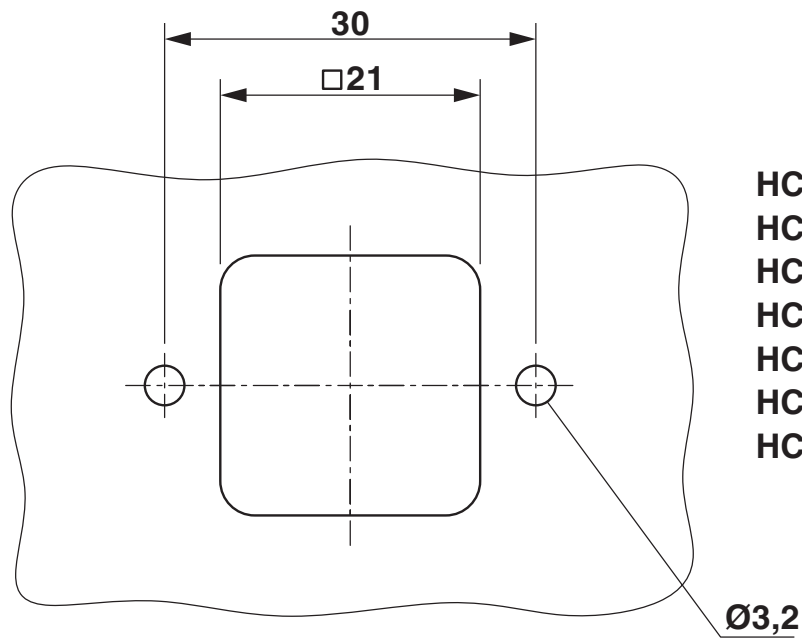


1419251

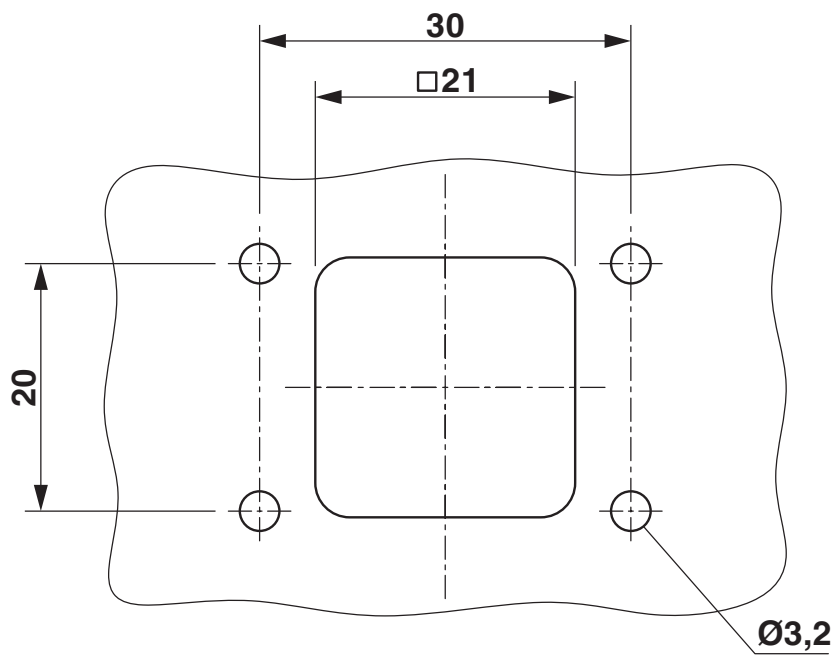
<https://www.phoenixcontact.com/us/products/1419251>

## Drawings

Dimensional drawing



HC-A03  
HC-A04  
HC-D07  
HC-D08  
HC-Q05  
HC-Q07  
HC-Q12



HC-Q02  
HC-Q03  
HC-Q04

Mounting cutout

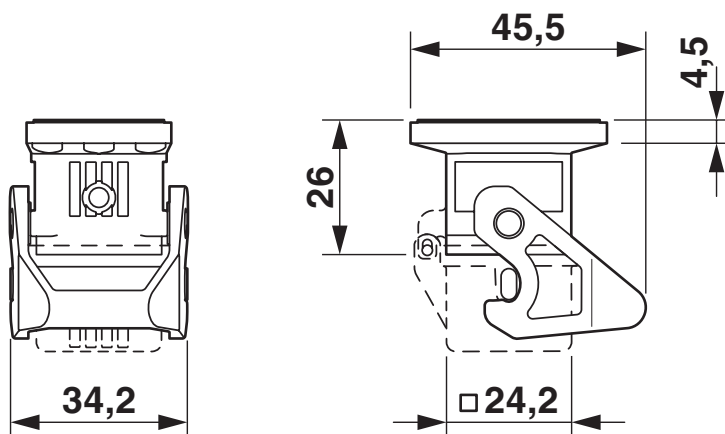
# HC-STA-D07-BWSCF-EL-AL - Housing

1419251

<https://www.phoenixcontact.com/us/products/1419251>



Dimensional drawing



Dimensional drawing

1419251

<https://www.phoenixcontact.com/us/products/1419251>

## Approvals

To download certificates, visit the product detail page: <https://www.phoenixcontact.com/us/products/1419251>

**DNV**

Approval ID: TAE000037S



**EAC**

Approval ID: RU C-DE.BL08.B.00511



**cUL Recognized**

Approval ID: E255026



**UL Recognized**

Approval ID: E255026

**cULus Recognized**

1419251

<https://www.phoenixcontact.com/us/products/1419251>

## Classifications

### ECLASS

ECLASS-11.0	27440202
ECLASS-12.0	27440202
ECLASS-13.0	27440202

### ETIM

ETIM 9.0	EC000437
----------	----------

### UNSPSC

UNSPSC 21.0	31261500
-------------	----------

1419251

<https://www.phoenixcontact.com/us/products/1419251>

## Environmental product compliance

### EU RoHS

Fulfills EU RoHS substance requirements	Yes, No exemptions
---	--------------------

### China RoHS

Environment friendly use period (EFUP)	EFUP-E
	No hazardous substances above the limits

### EU REACH SVHC

REACH candidate substance (CAS No.)	No substance above 0.1 wt%
-------------------------------------	----------------------------

# HC-STA-D07-BWSCF-EL-AL - Housing



1419251

<https://www.phoenixcontact.com/us/products/1419251>

## Accessories

### HC-D07-SL-PLBK - Housing brackets

1424440

<https://www.phoenixcontact.com/us/products/1424440>

Replacement latch for HC-D7 housing



---

### HC-D07-SG-RBK - Seal

1424441

<https://www.phoenixcontact.com/us/products/1424441>

Replacement seal for HC-D7 housing



# HC-STA-D07-BWSCF-EL-AL - Housing



1419251

<https://www.phoenixcontact.com/us/products/1419251>

## US-EMLP (20X9) CUS - Plastic label

0830085

<https://www.phoenixcontact.com/us/products/0830085>

Plastic label, Card, can be ordered: by card, white, labeled according to customer specifications, mounting type: adhesive, lettering field size: 20 x 9 mm, Number of individual labels: 75



---

## HC-STA-D07-BCLFS-PLR-BK - Protective cover

1419270

<https://www.phoenixcontact.com/us/products/1419270>

Protective cover D7, for single locking latch, material: PA, protective cover material: PA, height: 29.4 mm, seal: yes, Standard, with lanyard, for socket inserts



# HC-STA-D07-BWSCF-EL-AL - Housing

1419251

<https://www.phoenixcontact.com/us/products/1419251>

## HC-STA-D07-BCLFS-PL-BK - Protective cover

1419271

<https://www.phoenixcontact.com/us/products/1419271>

Protective cover D7, for single locking latch, material: PA, protective cover material: PA, height: 29.4 mm, seal: no, Standard, with lanyard, for pin inserts



---

## HC-STA-D07-BCSFS-PLR-BK - Protective cover

1419272

<https://www.phoenixcontact.com/us/products/1419272>

Protective cover D7, for single locking latch, material: PA, protective cover material: PA, height: 30 mm, seal: yes, Standard, with lanyard, for socket inserts



# HC-STA-D07-BWSCF-EL-AL - Housing



1419251

<https://www.phoenixcontact.com/us/products/1419251>

## HC-STA-D07-BCSFS-PL-BK - Protective cover

1419273

<https://www.phoenixcontact.com/us/products/1419273>



Protective cover D7, for single locking latch, material: PA, protective cover material: PA, height: 30 mm, seal: no, Standard, with lanyard, for pin inserts

勝特力電材超市-龍山店 886-3-5773766  
勝特力電材超市-光復店 886-3-5729570  
勝特力電子(上海) 86-21-34970699  
勝特力電子(深圳) 86-755-83298787  
<http://www.100y.com.tw>

Phoenix Contact 2024 © - all rights reserved

<https://www.phoenixcontact.com>

Phoenix Contact USA  
586 Fulling Mill Road  
Middletown, PA 17057, United States  
(+717) 944-1300  
[info@phoenixcon.com](mailto:info@phoenixcon.com)