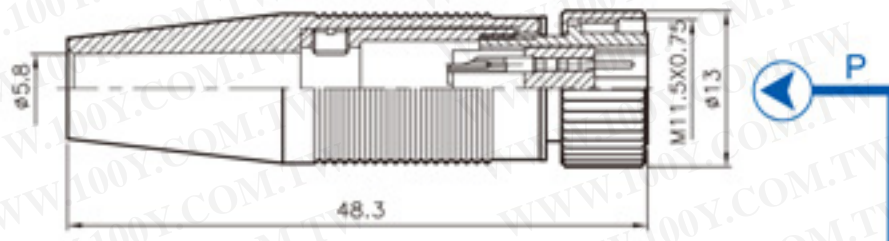


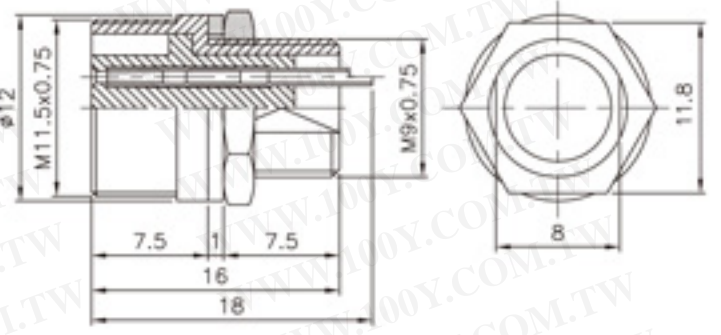
OUTPUT TYPE



勝特力材料 886-3-5753170
 勝特力电子(上海) 86-21-54151736
 勝特力电子(深圳) 86-755-83298787
[Http://www.100y.com.tw](http://www.100y.com.tw)

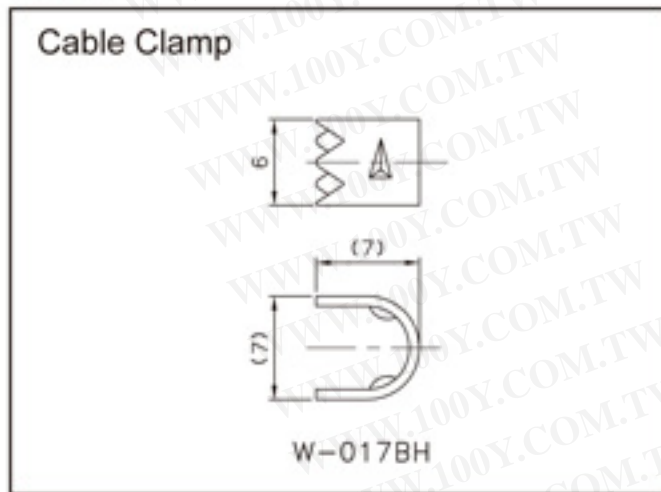


PLT-9-P



PLT-9-R

Note:



◆ No. of contacts	4	6	7			
Contacts Configuration						
Rated current / voltage	1A 300V	1A 300V	1A 300V			
Operation limit voltage (AC.V.rms)	300	300	300			
Withstanding voltage (AC.V.rms) 1 minute	AC100V DC140V	AC100V DC140V	AC100V DC140V			
Insulation resistance (MΩ MIN.) at DC 500V	200	200	200			
Contact resistance (MΩ MAX.) at DC 1A	10	10	10			
Solder inter diameter	0.7	0.7	0.7			