

勝特力材料 886-3-5753170
勝特力电子(上海) 86-21-34970699
勝特力电子(深圳) 86-755-83298787
[Http://www.100y.com.tw](http://www.100y.com.tw)

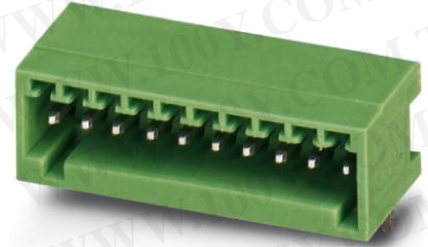


Extract from the online
catalog

MC 0,5/ 2-G-2,5

Order No.: 1881448

The figure shows a 10-position version of the product



<http://eshop.phoenixcontact.de/phoenix/treeViewClick.do?UID=1881448>

Header, Nominal current: 4 A, Nom. voltage: 80 V, Pitch: 2.5 mm,
Number of positions: 2, Color: green, Assembly: Soldering

Commercial data

EAN	4017918156688
Pack	50 pcs.
Customs tariff	85366990
Weight/Piece	0.000714 KG
Catalog page information	Page 140 (CC-2009)

Product notes

WEEE/RoHS-compliant since:
01/01/2003



<http://www.download.phoenixcontact.com>
Please note that the data given here has been taken from the online catalog. For comprehensive information and data, please refer to the user documentation. The General Terms and Conditions of Use apply to Internet downloads.

Technical data

Dimensions / positions

Length	10.1 mm
Height	8.1 mm
Pitch	2.5 mm
Dimension a	2.5 mm
Number of positions	2

Pin dimensions	0,8 x 0,8 mm
Pin spacing	2.5 mm
Hole diameter	1.2 mm

Technical data

Insulating material group	I
Rated surge voltage (III/3)	1.5 kV
Rated surge voltage (III/2)	2.5 kV
Rated surge voltage (II/2)	2.5 kV
Rated voltage (III/2)	160 V
Rated voltage (II/2)	320 V
Connection in acc. with standard	EN-VDE
Nominal current I_N	4 A
Nominal voltage U_N	80 V
Maximum load current	4 A
Insulating material	PA
Inflammability class acc. to UL 94	V0

Certificates / Approvals



Certification

CB, CUL, GOST, UL, VDE-PZI

CUL

Nominal voltage U_N	125 V
Nominal current I_N	4 A

UL

Nominal voltage U_N	125 V
Nominal current I_N	4 A

Accessories

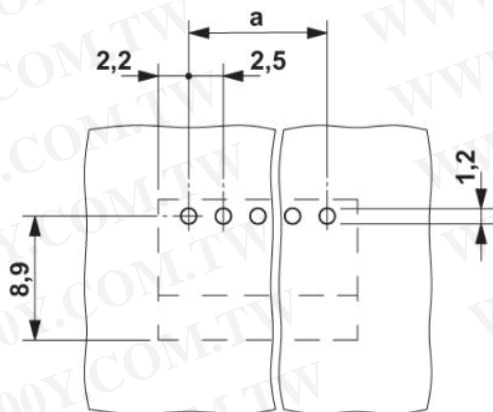
Item	Designation	Description
Marking		
0804853	SK 2,54/2,8:FORTL.ZAHLEN	Marker card, printed horizontally, self-adhesive, 10-section marker strip, 14 identical decades marked 1-10, 11-20 etc. up to 91-100, sufficient for 140 terminal blocks
Plug/Adapter		
1881435	CP-MC 0,5	Keying profile, is inserted into the groove in the header, red insulating material

Additional products

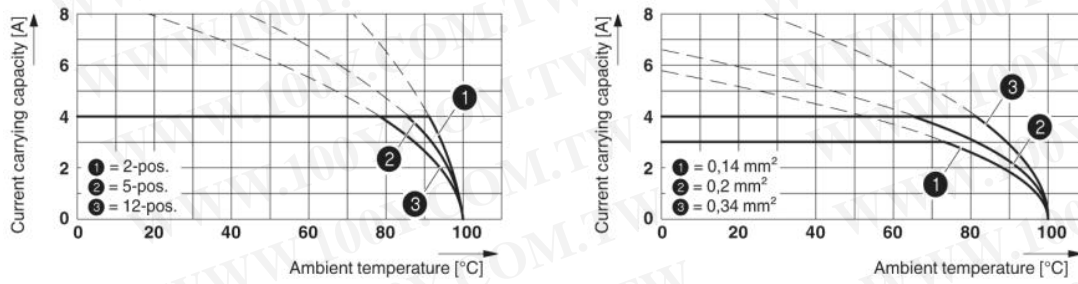
Item	Designation	Description
General		
1881325	FK-MC 0,5/ 2-ST-2,5	Plug component, Nominal current: 4 A, Nom. voltage: 100 V, Pitch: 2.5 mm, Number of positions: 2, Connection type: Spring-cage conn., Color: green

Diagrams/Drawings

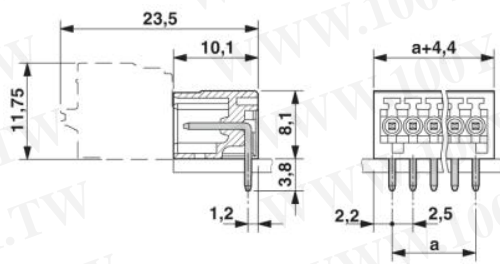
Drilling plan/solder pad geometry



Diagram



Dimensioned drawing



Address

PHOENIX CONTACT Deutschland GmbH
Flachsmarktstr. 8
32825 Blomberg, Germany
Phone +49 5235 3 12000
Fax +49 5235 3 41200
<http://www.phoenixcontact.de>



勝特力材料 886-3-5753170
勝特力电子(上海) 86-21-34970699
勝特力电子(深圳) 86-755-83298787
[Http://www.100y.com.tw](http://www.100y.com.tw)

© 2010 Phoenix Contact
Technical modifications reserved;