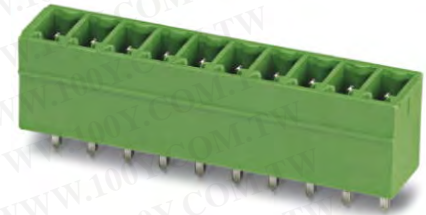


# MCV 1,5/10-G-3,81

订货号: 1803507

图为10位穿墙式连接器

**勝特力材料 886-3-5753170**  
**勝特力电子(上海) 86-21-34970699**  
**勝特力电子(深圳) 86-755-83298787**  
[Http://www.100y.com.tw](http://www.100y.com.tw)



<http://eshop.phoenixcontact.de/phoenix/treeViewClick.do?UID=1803507>

基座, 额定电流: 8 A, 位数: 10, 间距: 3.81 mm, 颜色: 绿色

□□□□	
EAN	 4 017918 045814
sales group	E100
包装	50 pcs.
关税	85366990
产品目录信息	页面 213 (CC-2011)

**产品备注**

符合WEEE/RoHS指令的日期:  
01.01.2003



请注意这里提供的数据来源于在线目录。如需详细的信息和数据, 请查阅<http://www.download.phoenixcontact.com>上的用户使用信息。该信息适用网络下载的一般条款。

□□□□	
□□/□□	
长度	7,25 mm
间距	3,81 mm
尺寸a	34,29 mm
位数	10
引脚尺寸	0,8 x 0,8 mm
孔径	1,2 mm
□□□□	
产品范围	MCV 1,5/...-G

绝缘材料组	IIIa
额定电涌电压(III/3)	2,5 kV
额定电涌电压(III/2)	2,5 kV
额定电涌电压(II/2)	2,5 kV
额定电压(III/2)	160 V
额定电压(II/2)	250 V
连接符合标准	EN-VDE
额定电流 $I_N$	8 A
额定电压 $U_N$	160 V
最大负载电流	8 A
绝缘材料	PBT
阻燃等级，符合UL 94	V0
颜色	绿色
额定电压，UL/CUL标准B组	300 V
额定电流，UL/CUL标准B组	8 A
额定电压，UL/CUL标准D组	300 V
额定电流，UL/CUL标准D组	8 A

□□/□□



认证

CB, CSA, CUL, GOST, UL, VDE-PZI

□□

项目	名称	描述
□□/□□□		
1734634	CP-MSTB	防插错编码，插在插头或反向插座的插槽中，红色绝缘材料
□□		
1051993	B-STIFT	标记笔，用于书写标记未打印的扁平式标记条，标记防抹擦，防水，线宽0.5 mm
0804109	SK 3,81/2,8:FORTL.ZAHLEN	标记卡，水平打印，粘性，10段标记条，14个相同的十进标签 1-10，11-20等等，直至91-(99) 100，足够标记140个端子

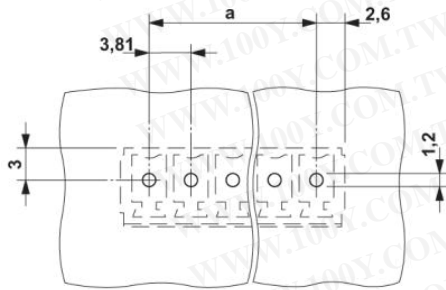
0805056	SK 3,81/2,8:SO	标记卡，特殊打印，粘性，依据客户要求标记，每张卡14张相同的标记条，每条最多25位标记，颜色：白色
---------	----------------	---

□□□□

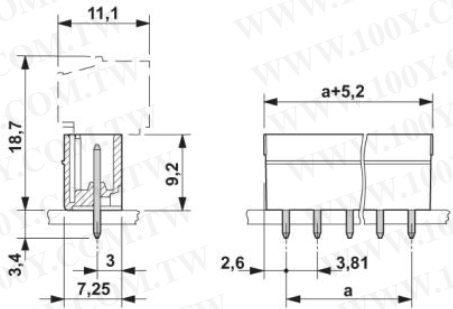
项目	名称	描述
□□		
1851122	FK-MCP 1,5/10-ST-3,81	插头, 额定电流: 8 A, 位数: 10, 间距: 3.81 mm, 颜色: 绿色
1850741	FRONT-MC 1,5/10-ST-3,81	插头, 额定电流: 8 A, 位数: 10, 间距: 3.81 mm, 颜色: 绿色
1862658	IMC 1,5/10-G-3,81	基座, 额定电流: 8 A, 位数: 10, 间距: 3.81 mm, 颜色: 绿色
1875506	IMCV 1,5/10-G-3,81	基座, 额定电流: 8 A, 位数: 10, 间距: 3.81 mm, 颜色: 绿色
1803659	MC 1,5/10-ST-3,81	插头, 额定电流: 8 A, 位数: 10, 间距: 3.81 mm, 颜色: 绿色
1852257	MCC 1/10-STZ-3,81	插头, 额定电流: 8 A, 位数: 10, 间距: 3.81 mm, 颜色: 绿色, 对应压接点的电流[A]和接线容量[mm <sup>2</sup> ]数据: 5A/MCC-MT 0.2-0.35 (1859988); 8A/MCC-MT 0.5-1.0 (1859991)
1827208	MCVR 1,5/10-ST-3,81	插头, 额定电流: 8 A, 位数: 10, 间距: 3.81 mm, 颜色: 绿色
1827059	MCVW 1,5/10-ST-3,81	插头, 额定电流: 8 A, 位数: 10, 间距: 3.81 mm, 颜色: 绿色
1897474	QC 0,5/10-ST-3,81	插头, 额定电流: 6 A, 位数: 10, 间距: 3.81 mm, 颜色: 绿色

□□□

开孔图/焊盘环宽



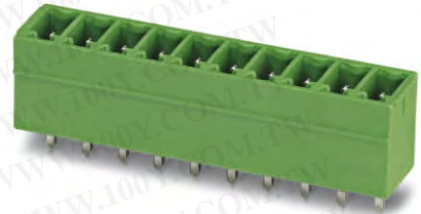
尺寸图



# MCV 1,5/10-G-3,81

Order No.: 1803507


The figure shows a 10-position version of the product



<http://eshop.phoenixcontact.de/phoenix/treeViewClick.do?UID=1803507>

Header, Nominal current: 8 A, Rated voltage (III/2): 160 V, Number of positions: 10, Pitch: 3.81 mm, Color: green, Assembly: Soldering

## Commercial data

GTIN (EAN)	 4 017918 045814
sales group	E100
Pack	50 pcs.
Customs tariff	85366990
Catalog page information	Page 213 (CC-2011)

## Product notes

WEEE/RoHS-compliant since:  
01/01/2003



<http://www.download.phoenixcontact.com>  
Please note that the data given here has been taken from the online catalog. For comprehensive information and data, please refer to the user documentation. The General Terms and Conditions of Use apply to Internet downloads.

## Technical data

### Dimensions / positions

Length	7.25 mm
Pitch	3.81 mm
Dimension a	34.29 mm
Number of positions	10
Pin dimensions	0,8 x 0,8 mm

Hole diameter	1.2 mm
<b>Technical data</b>	
Range of articles	MCV 1,5/...-G
Insulating material group	IIIa
Rated surge voltage (III/3)	2.5 kV
Rated surge voltage (III/2)	2.5 kV
Rated surge voltage (II/2)	2.5 kV
Rated voltage (III/2)	160 V
Rated voltage (II/2)	250 V
Connection in acc. with standard	EN-VDE
Nominal current $I_N$	8 A
Nominal voltage $U_N$	160 V
Maximum load current	8 A
Insulating material	PBT
Inflammability class acc. to UL 94	V0
Color	Green
Nominal voltage, UL/CUL Use Group B	300 V
Nominal current, UL/CUL Use Group B	8 A
Nominal voltage, UL/CUL Use Group D	300 V
Nominal current, UL/CUL Use Group D	8 A

### Certificates / Approvals



Certification

CB, CSA, CUL, GOST, UL, VDE-PZI

### Accessories

Item	Designation	Description
<b>Marking</b>		
1051993	B-STIFT	Marker pen, for manual labeling of unprinted Zack strips, smear-proof and waterproof, line thickness 0.5 mm

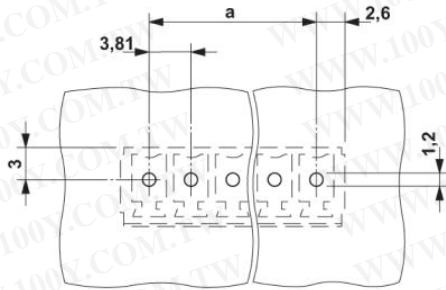
0804109	SK 3,81/2,8:FORTL.ZAHLEN	Marker card, printed horizontally, self-adhesive, 10-section marker strip, 14 identical decades marked 1-10, 11-20 etc. up to 91-(99)100, sufficient for 140 terminal blocks
0805056	SK 3,81/2,8:SO	Marker card, special printing, self-adhesive, labeled acc. to customer requirements, 14 identical marker strips per card, max. 25-position labeling per strip, color: White
<b>Plug/Adapter</b>		
1734634	CP-MSTB	Keying profile, is inserted into the slot on the plug or inverted header, red insulating material

### Additional products

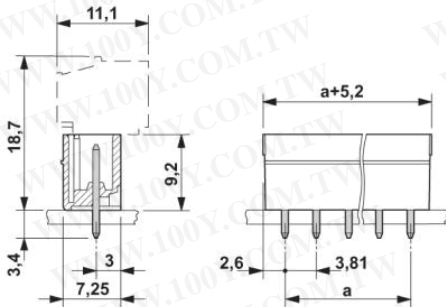
Item	Designation	Description
<b>General</b>		
1851122	FK-MCP 1,5/10-ST-3,81	Plug component, Nominal current: 8 A, Rated voltage (III/2): 160 V, Number of positions: 10, Pitch: 3.81 mm, Connection method: Spring-cage conn., Color: green
1850741	FRONT-MC 1,5/10-ST-3,81	Plug component, Nominal current: 8 A, Rated voltage (III/2): 160 V, Number of positions: 10, Pitch: 3.81 mm, Connection method: Screw connection, Color: green
1862658	IMC 1,5/10-G-3,81	Header, Nominal current: 8 A, Rated voltage (III/2): 160 V, Number of positions: 10, Pitch: 3.81 mm, Color: green, Assembly: Soldering
1875506	IMCV 1,5/10-G-3,81	Header, Nominal current: 8 A, Rated voltage (III/2): 160 V, Number of positions: 10, Pitch: 3.81 mm, Color: green, Assembly: Soldering
1803659	MC 1,5/10-ST-3,81	Plug component, Nominal current: 8 A, Rated voltage (III/2): 160 V, Number of positions: 10, Pitch: 3.81 mm, Connection method: Screw connection, Color: green
1852257	MCC 1/10-STZ-3,81	Plug component, Nominal current: 8 A, Rated voltage (III/2): 160 V, Number of positions: 10, Pitch: 3.81 mm, Connection method: Crimp connection, Color: green, Corresponding female crimp contacts with current [A] and conductor cross section range [mm <sup>2</sup> ] data: 5A/MCC-MT 0,2-0,35 (1859988); 8A/MCC-MT 0,5-1,0 (1859991)
1827208	MCVR 1,5/10-ST-3,81	Plug component, Nominal current: 8 A, Rated voltage (III/2): 160 V, Number of positions: 10, Pitch: 3.81 mm, Connection method: Screw connection, Color: green
1827059	MCVW 1,5/10-ST-3,81	Plug component, Nominal current: 8 A, Rated voltage (III/2): 160 V, Number of positions: 10, Pitch: 3.81 mm, Connection method: Screw connection, Color: green
1897474	QC 0,5/10-ST-3,81	Plug component, Nominal current: 6 A, Rated voltage (III/2): 200 V, Number of positions: 10, Pitch: 3.81 mm, Connection method: Insulation displacement connection QUICKON, Color: green

## Diagrams/Drawings

### Drilling plan/solder pad geometry



### Dimensioned drawing



勝特力材料 886-3-5753170

勝特力电子(上海) 86-21-34970699

勝特力电子(深圳) 86-755-83298787

[Http://www.100y.com.tw](http://www.100y.com.tw)