

勝特力材料 886-3-5753170
勝特力电子(上海) 86-21-34970699
勝特力电子(深圳) 86-755-83298787
[Http://www.100y.com.tw](http://www.100y.com.tw)



Extract from the online
catalog

MPT 0,5/ 6-2,54

Order No.: 1725698

The figure shows a 10-position version of the product



<http://eshop.phoenixcontact.de/phoenix/treeViewClick.do?UID=1725698>

PC terminal block, Nominal current: 6 A, Nom. voltage: 63 V,
Pitch: 2.54 mm, Number of positions: 6, Type of connection: Screw
connection, Assembly: Soldering, Conductor/PCB connection
direction: 0°, Color: green

Commercial data

| | |
|--------------------------|-------------------|
| EAN | 4017918116293 |
| Pack | 50 pcs. |
| Customs tariff | 85369010 |
| Weight/Piece | 0.001813 KG |
| Catalog page information | Page 51 (CC-2009) |

Product notes

WEEE/RoHS-compliant since:
01/01/2003



<http://www.download.phoenixcontact.com>
Please note that the data given here has been taken from the online catalog. For comprehensive information and data, please refer to the user documentation. The General Terms and Conditions of Use apply to Internet downloads.

Technical data

Dimensions / positions

| | |
|-------------|---------|
| Length | 6.2 mm |
| Pitch | 2.54 mm |
| Dimension a | 12.7 mm |

| | |
|------------------------|--------------|
| Number of positions | 6 |
| Pin dimensions | 0,5 x 0,9 mm |
| Hole diameter | 1.1 mm |
| Screw thread | M1,6 |
| Tightening torque, min | 0.12 Nm |
| Tightening torque max | 0.15 Nm |

Technical data

| | |
|------------------------------------|---------------------|
| Insulating material group | I |
| Rated surge voltage (III/3) | 1.5 kV |
| Rated surge voltage (III/2) | 1.5 kV |
| Rated surge voltage (II/2) | 2.5 kV |
| Rated voltage (III/2) | 160 V |
| Rated voltage (II/2) | 320 V |
| Connection in acc. with standard | EN-VDE |
| Nominal current I_N | 6 A |
| Nominal voltage U_N | 63 V |
| Nominal cross section | 0.5 mm ² |
| Maximum load current | 6 A |
| Insulating material | PA |
| Inflammability class acc. to UL 94 | V0 |
| Stripping length | 4.5 mm |

Connection data

| | |
|----------------------------------------------------------------------------|----------------------|
| Conductor cross section solid min. | 0.14 mm ² |
| Conductor cross section solid max. | 0.5 mm ² |
| Conductor cross section stranded min. | 0.14 mm ² |
| Conductor cross section stranded max. | 0.5 mm ² |
| Conductor cross section stranded, with ferrule without plastic sleeve min. | 0.25 mm ² |
| Conductor cross section stranded, with ferrule without plastic sleeve max. | 0.34 mm ² |
| Conductor cross section stranded, with ferrule with plastic sleeve min. | 0.25 mm ² |
| Conductor cross section stranded, with ferrule with plastic sleeve max. | 0.34 mm ² |
| Conductor cross section AWG/kcmil min. | 26 |
| Conductor cross section AWG/kcmil max | 20 |

| | |
|-----------------------------------------------------|----------------------|
| 2 conductors with same cross section, solid min. | 0.14 mm ² |
| 2 conductors with same cross section, solid max. | 0.34 mm ² |
| 2 conductors with same cross section, stranded min. | 0.14 mm ² |
| 2 conductors with same cross section, stranded max. | 0.34 mm ² |

Certificates / Approvals



Certification CSA, CUL, UL

CSA

| | |
|--------------------------------|-------|
| Nominal voltage U _N | 125 V |
| Nominal current I _N | 6 A |
| AWG/kcmil | 28-20 |

CUL

| | |
|--------------------------------|-------|
| Nominal voltage U _N | 125 V |
| Nominal current I _N | 6 A |
| AWG/kcmil | 30-20 |

UL

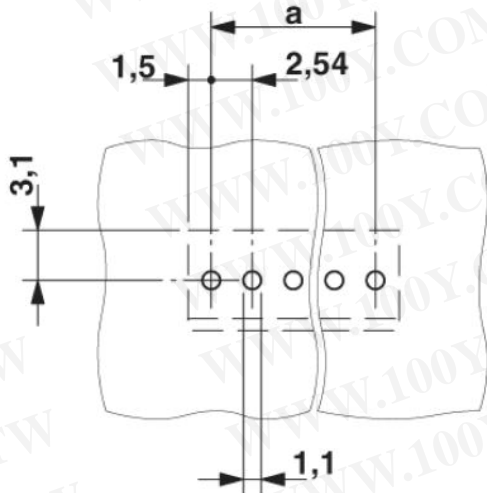
| | |
|--------------------------------|-------|
| Nominal voltage U _N | 125 V |
| Nominal current I _N | 6 A |
| AWG/kcmil | 30-20 |

Accessories

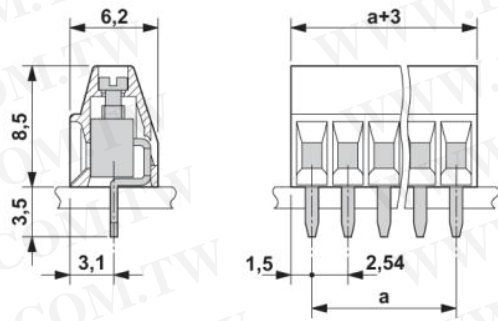
| Item | Designation | Description |
|----------------|--------------------------|--------------------------------------------------------------------------------------------------------------------------------------------------------------------------|
| Marking | | |
| 0804853 | SK 2,54/2,8:FORTL.ZAHLEN | Marker card, printed horizontally, self-adhesive, 10-section marker strip, 14 identical decades marked 1-10, 11-20 etc. up to 91-100, sufficient for 140 terminal blocks |
| Tools | | |
| 1205202 | SZS 0,4X2,0 | Screwdriver, bladed, matches all screw terminal blocks up to 1.5 mm ² connection cross section, blade width: 2.5 mm, without approvals |

Diagrams/Drawings

Drilling plan/solder pad geometry



Dimensioned drawing



勝特力材料 886-3-5753170
勝特力电子(上海) 86-21-34970699
勝特力电子(深圳) 86-755-83298787
[Http://www.100y.com.tw](http://www.100y.com.tw)

Address

PHOENIX CONTACT Deutschland GmbH
Flachmarktstr. 8
32825 Blomberg, Germany
Phone +49 5235 3 12000
Fax +49 5235 3 41200
<http://www.phoenixcontact.de>



勝特力材料 886-3-5753170
胜特力电子(上海) 86-21-34970699
胜特力电子(深圳) 86-755-83298787
[Http://www.100y.com.tw](http://www.100y.com.tw)

© 2010 Phoenix Contact
Technical modifications reserved;