

勝特力材料 886-3-5753170
 勝特力电子(上海) 86-21-54151736
 勝特力电子(深圳) 86-755-83298787
 Http://www.100y.com.tw

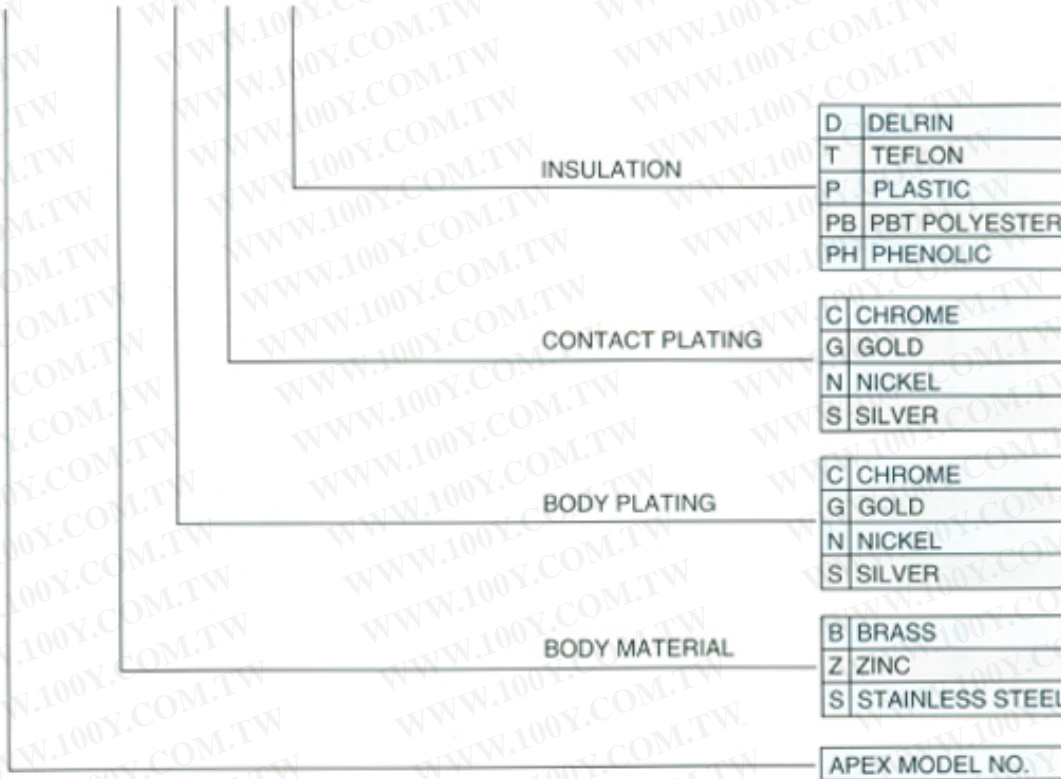


N CONNECTORS



ORDERING INFORMATION

N-301A - B S G T



勝特力材料 886-3-5753170
 勝特力电子(上海) 86-21-54151736
 勝特力电子(深圳) 86-755-83298787
[Http://www.100y.com.tw](http://www.100y.com.tw)



N SERIES RF CO-AXIAL CONNECTORS



MODEL	PAGE	MODEL	PAGE	MODEL	PAGE	MODEL	PAGE
N-301	3	N-313	6	N-325	9	N-337	10
N-302	3	N-314	7	N-326	9	N-338	10
N-303	3	N-315	7	N-327	9	N-339	10
N-304	4	N-316	7	N-328	9	N-340	10
N-305	4	N-317	7	N-329	9	N-341	10
N-306	4	N-318	8	N-330	9		
N-307	5	N-319	8	N-331	9		
N-308	5	N-320	8	N-332	9		
N-309	5	N-321	8	N-333	10		
N-310	6	N-322	8	N-334	10		
N-311	6	N-323	8	N-335	10		
N-312	6	N-324	8	N-336	10		

Electrical Specifications

Voltage rating : AC 500V
 Withstanding voltage : AC 1,500V one minute
 Insulation resistance : 1,000M Ω min at DC 500V
 Contact resistance : 3m Ω max. at DC 1A
 Frequency range : 0-2 GHz

勝特力材料 886-3-5753170
 勝特力电子(上海) 86-21-54151736
 勝特力电子(深圳) 86-755-83298787
[Http://www.100y.com.tw](http://www.100y.com.tw)

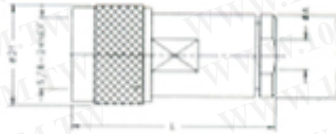


N SERIES RF CO-AXIAL CONNECTORS



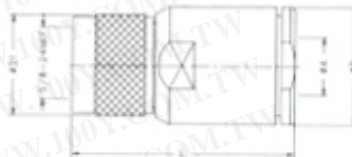
N Clamp/Solder

N-301A N-301B N-301C N-301D



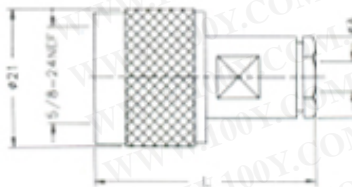
Model No.	Equivalent identification	Cables accommodated	øA	øB	L	Remarks
N-301A	N-P-58U	RG-55/U, 58/U, 141	ø5.4	ø17.5	45	UG-536B/U
N-301B	N-P-59U	RG-59/U, 62/U	ø6.4	ø17.5	45	UG-603A/U
N-301C	N-P-5D	5D-2V, 5DFB	ø6.4	ø17.5	45	
N-301D	N-P-8U	RG-8.9/U, 213	ø11.2	ø18.8	37.2	UG-21E/U

N-301E N-301F N-301G



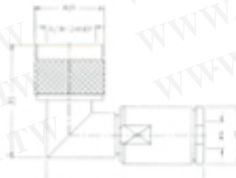
Model No.	Equivalent identification	Cables accommodated	øA	øB	L	Remarks
N-301E	N-P-8D	8D-2V, 8DFB	ø12.2	ø22.5	42	
N-301F	N-P-10D	10DFB	ø14.2	ø22.5	48	
N-301G	N-P-12D	12DFB	ø16.4	ø24.8	48	

N-302A N-302B



Model No.	Equivalent identification	Cables accommodated	øA	øB	L	Remarks
N-302A	N-P-58U	RG-55/U, 58/U, 141	ø5.4	ø12.7	35	
N-302B	N-P-59	RG-59/U, 62/U, 3D-2V	ø6.4	ø12.7	35	

N-303A N-303B N-303C3





Model No.	Equivalent identification	Cables accommodated	øA	øB	L	Remarks
N-303A	N-LP-58U	RG-55/U, 58/U	ø5.4	ø15.5	49	
N-303B	N-LP-5DW	5D-2W	ø9.3	ø17.5	52.4	
N-303C	N-LP-594	RG-8, 9/U	ø11.2	ø17.5	52	UG-594/U

3

勝特力材料 886-3-5753170
 勝特力电子(上海) 86-21-54151736
 勝特力电子(深圳) 86-755-83298787
[Http://www.100y.com.tw](http://www.100y.com.tw)



N SERIES RF CO-AXIAL CONNECTORS



N-304A N-304B N-304C



Model No.	Equivalent identification	Cables accommodated	øA	øB	L	Remarks
N-304A	N-LP-58U	RG-55/U, 58/U	ø5.3	ø15.5	44	
N-304B	N-LP-5DW	5D-2W	ø9.3	ø17.5	44	
N-304C	N-LD-8D	8D-2V, 8DFB	ø12.2	ø22	44	

N-305A N-305B N-305C
N-305D N-305E N-305F



Model No.	Equivalent identification	Cables accommodated	øA	øB	L	Remarks
N-305A	N-J-58/U	RG-55/U, 58/U	ø5.4	ø17.5	44.5	
N-305B	N-J-62/U	RG-59/U, 62/U	ø6.4	ø17.5	44.5	UG-620A/U
N-305C	N-J-5/U	RG-5/U	ø8.6	ø17.5	44.5	
N-305D	N-J-8/U	RG-8/U, RG-9/U	ø11.2	ø17.5	44.5	RG-213/U
N-305E	N-J-14/U	RG-14/U	ø14.2	ø22.3	41	
N-305F	N-J-17/U	RG-17/U	ø22.8	ø33.4	58	

N-305G N-305H N-305J N-305K N-305L
N-305M N-305N N-305P N-305Q N-305R

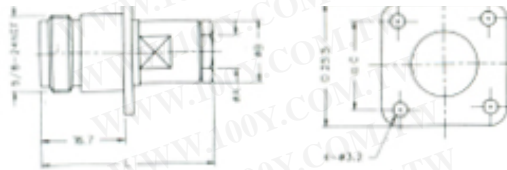
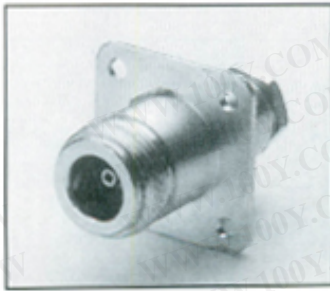


N-305G	N-J-1.5	1.5D-2V	ø3.2	ø12.5	35	
N-305H	N-J-3	3D-2V	ø6.0	ø17.5	44.5	
N-305J	N-J-3W	3D-2W	ø6.6	ø17.5	44.5	
N-305K	N-J-5	5D-2V	ø8.0	ø17.5	44.5	
N-305L	N-J-5W	5D-2W	ø8.6	ø17.5	44.5	
N-305M	N-J-7	7C-2V	ø11	ø17.5	44.5	
N-305N	N-J-8	8D-2V	ø12	ø22.5	42	
N-305P	N-J-8W	8D-2W	ø12.8	ø22.2	42	
N-305Q	N-J-10	10D-2V	ø14.2	ø22.5	49	
N-305R	N-J-10W	10D-2W	ø14.8	ø22.2	49	

N-306A N-306B N-306C



N-306A N-306B N-306C



Model No.	Equivalent identification	Cables accommodated	øA	øB	L	Remarks
N-306A	N-PJ-58U	RG-55/U, 58/U	ø5.4	ø12.7	35.5	18.2
N-306B	N-PJ-62U	RG-59/U, 62/U	ø6.4	ø12.7	35.5	18.2
N-306C	N-PJ-8U	RG-8, 9/U	ø11.1	ø19	39.7	18.2

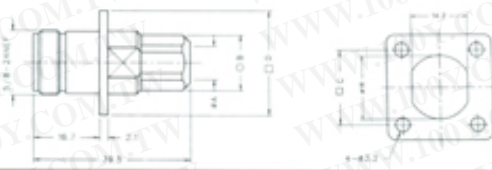
勝特力材料 886-3-5753170
 勝特力电子(上海) 86-21-54151736
 勝特力电子(深圳) 86-755-83298787
[Http://www.100y.com.tw](http://www.100y.com.tw)



N SERIES RF CO-AXIAL CONNECTORS

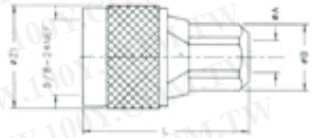


N-307A N-307B N-307C N-307D



Model No.	Equivalent identification	Cables accommodated	øA	øB	L	□C	□D
N-307A	N-P-3.5D	3D-2V, 3.5D-FB	ø6.8	ø12	37.2	□18.2	□25.5
N-307B	N-P-5D	5D-2V, 5D-FB	ø8.0	ø14	37	□18.2	□25.5
N-307C	N-P-8D	8D-2V, 8D-FB	ø11.8	ø20	44.8	□18.2	□25.5
N-307D	N-P-10D	10D-2V, 10-FB	ø14.8	ø21.7	44.3	□23	□30

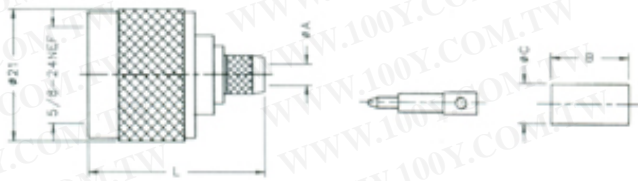
N-308A N-308B N-308C N-308D



Model No.	Equivalent identification	Cables accommodated	øA	øB	L	Remarks
N-308A	N-P-3.5D	3D-2V, 3.5D-FB	ø6.8	ø12	37.2	
N-308B	N-P-5D	5D-2V, 5D-FB	ø8.0	ø14	37	
N-308C	N-P-8D	8D-2V, 8D-FB	ø11.8	ø20	44.8	
N-308D	N-P-10D	10D-2V, 10D-FB	ø14.8	ø21.7	44.3	

N Crimp

N-309A N-309B



Model No.	Equivalent identification	Cables accommodated	øA	B	øC	L	Remarks
N-309A	N-P-58/U	RG-55/U, 58/U	ø3.2	12.7	ø6.5	30.5	



	Identification	Accommodated					
N-309A	N-P-58/U	RG-55/U, 58/U	ø3.2	12.7	ø6.5	30.5	
N-309B	N-P-62/11	RG-59/U, 62/U	ø3.8	12.7	ø7.5	30.5	

5

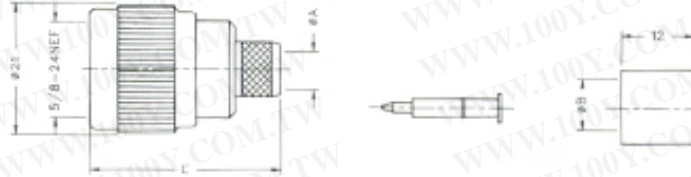
勝特力材料 886-3-5753170
 勝特力电子(上海) 86-21-54151736
 勝特力电子(深圳) 86-755-83298787
[Http://www.100y.com.tw](http://www.100y.com.tw)



N SERIES RF CO-AXIAL CONNECTORS

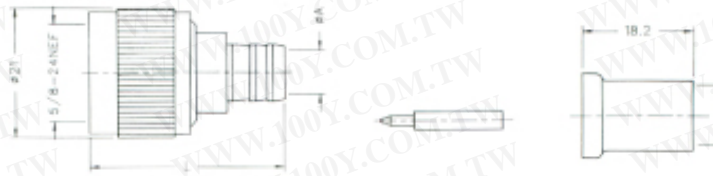


N-310A N-310B



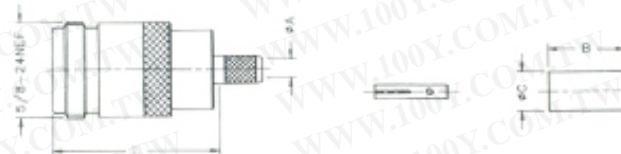
Model No.	Equivalent identification	Cables accommodated	øA	øB	L	Remarks
N-310A	N-P-8U	RG-8/U, 7C-2V	ø7.4	ø12.4	31.5	
N-310B	N-P-8D	8D-2V, 8D-2W	ø8.0	ø13	31.5	

N-311A N-311B



Model No.	Equivalent identification	Cables accommodated	øA	øB	L	Remarks
N-311A	N-P-8U	RG-8/U, 7C-2V	ø7.4	ø12.4	32	
N-311B	N-P-8D	8D-2V, 8D-2W	ø8.0	ø13	32	

N-312A N-312B

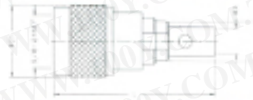


Model No.	Equivalent identification	Cables accommodated	øA	øB	L	Remarks
N-312A	N-P-58/U	RG-55/U, 58/U	ø3.2	ø12.7	28	

	IDENTIFICATION	ACCOMMODATED				
N-312A	N-P-58/U	RG-55/U, 58/U	ø3.2	ø12.7	28	
N-312B	N-P-62/U	RG-59/U, 62/U	ø3.8	ø12.7	28	

N Twist

N-313A N-313B N-313C
N-313D N-313E N-313F



Model No.	Equivalent identification	Cables accommodated	øA	øB	L	Remarks
N-313A	N-P-4X	RG-402/U	ø3.8	ø5.0	29	
N-313B	N-P-2X	2D-LFB-S	ø4.3	ø12	37.2	
N-313C	N-P-3X	3D-2V, 3.5D-FB	ø6.3	ø12	37.2	
N-313D	N-P-4X	5D-2V, 5D-FB	ø8.0	ø12	48.5	
N-313E	N-P-2X	8D-2V, 8D-FB	ø12.0	ø19	48.5	
N-313F	N-P-3X	10D-2V, 10D-FB	ø14.0	ø19	48.5	

6

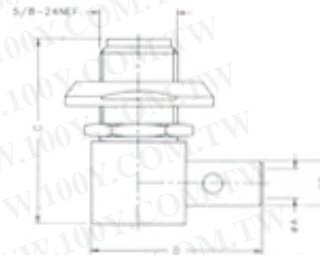
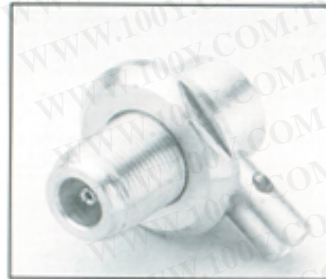
勝特力材料 886-3-5753170
勝特力电子(上海) 86-21-54151736
勝特力电子(深圳) 86-755-83298787
[Http://www.100y.com.tw](http://www.100y.com.tw)



N SERIES RF CO-AXIAL CONNECTORS

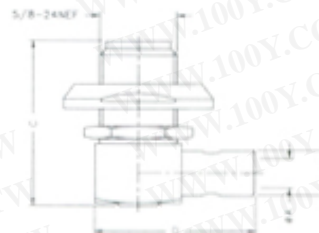


N-314A N-314B N-314C
N-314D N-314E N-314F

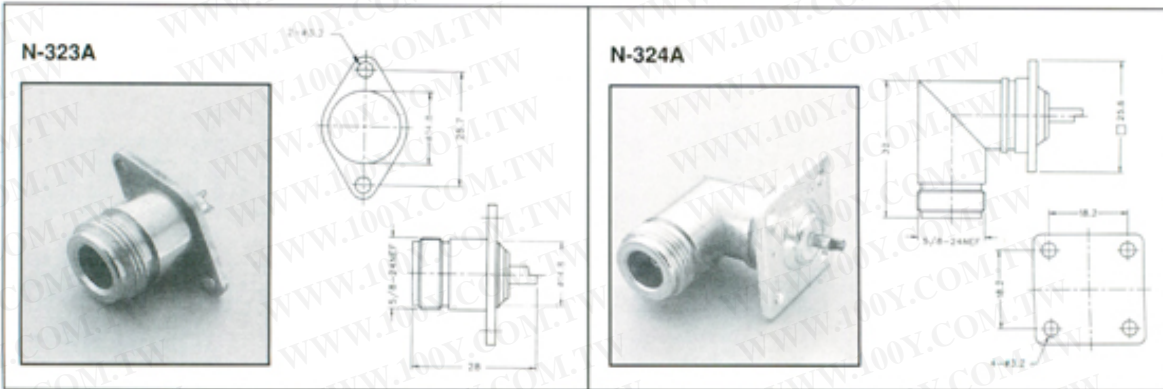
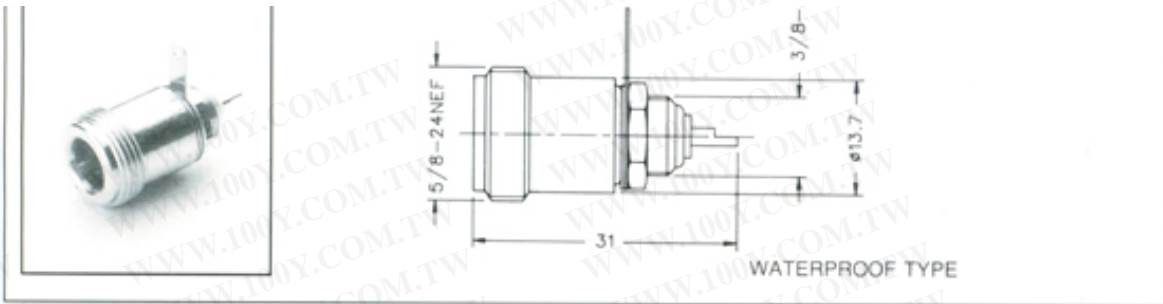


Model No.	Equivalent identification	Cables accommodated	øA	øB	C	D
N-314A	N-1.5DL-J	1.5D-2V	ø3.2	ø5.0	33	27.5
N-314B	N-3.6DL-J	RG-402/U	ø3.0	ø4.0	33	29.8
N-314C	N-2DL-J	2D-LFB-S	ø4.2	ø5.5	33	30.5
N-314D	N-3DL-J	3D-2V, 3.5D-FB	ø5.8	ø7.3	33	32.5
N-314E	N-5DL-J	5D-2V, 5D-FB	ø8.0	ø10	33	32.5
N-314F	N-8DL-J	8D-2V, 8D-FB	ø12.0	ø14	40.5	37.5
N-314G	N-10DL-J	10D-2V, 10D-FB	ø14.0	ø16	40.5	37.5

N-315A N-315B N-315C
N-315D N-315E N-315F N-315G



Model No.	Equivalent identification	Cables accommodated	øA	øB	C	D
N-315A	N-1.5DL-J	1.5D-2V	ø3.2	ø5.0	33	27.5
N-315B	N-3.6DL-J	RG-402/U	ø3.0	ø4.0	33	29.8
N-315C	N-2DL-J	2D-LFB-S	ø4.2	ø5.5	33	30.5
N-315D	N-3DL-J	3D-2V, 3.5D-FB	ø5.8	ø7.3	33	32.5



8

勝特力材料 886-3-5753170
 勝特力电子(上海) 86-21-54151736
 勝特力电子(深圳) 86-755-83298787
[Http://www.100y.com.tw](http://www.100y.com.tw)

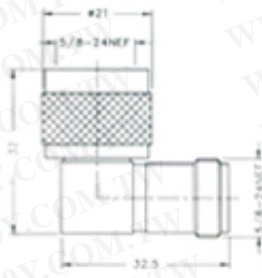


N SERIES RF CO-AXIAL CONNECTORS

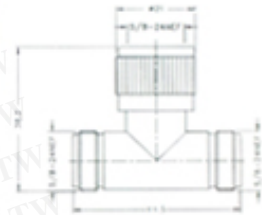


<p>N-325A</p>	<p>N-326A</p>
<p>N-327A</p>	<p>N-328A</p>
<p>N-329A</p>	<p>N-330A</p>

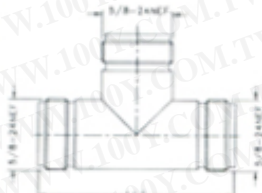
N-329A



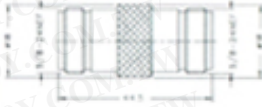
N-330A



N-331A

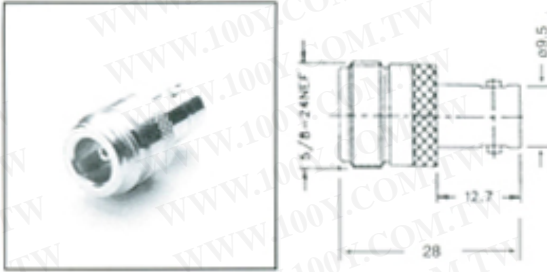
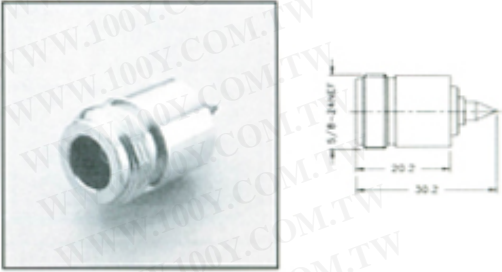
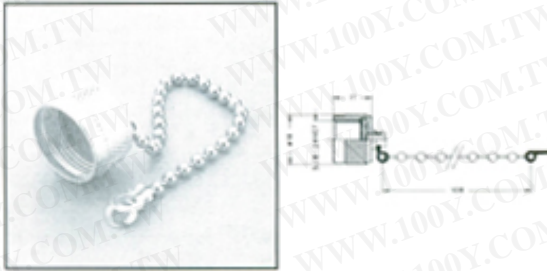
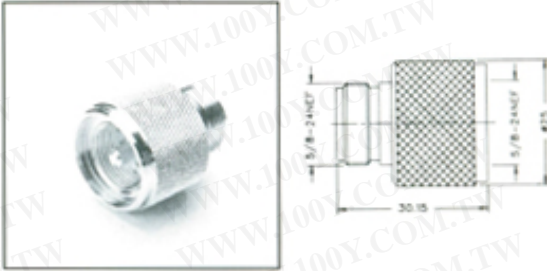
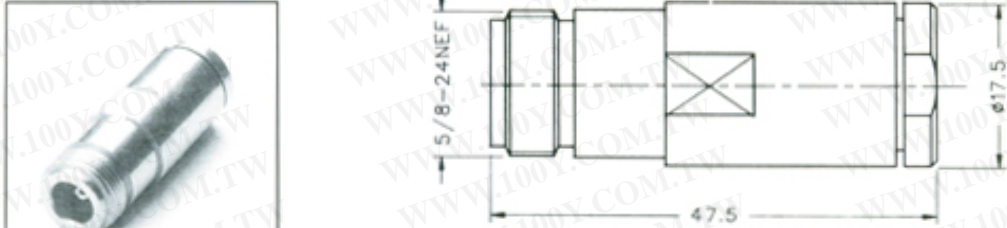
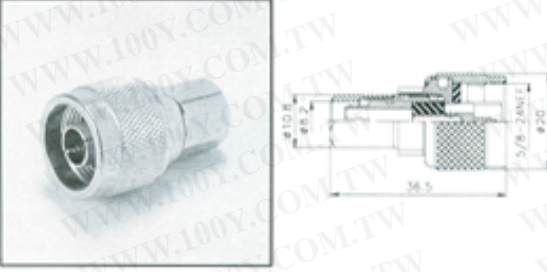
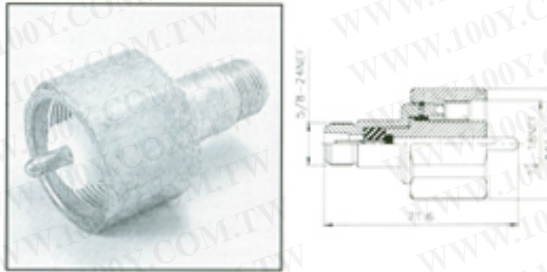
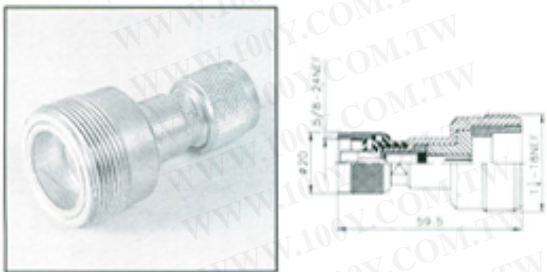


N-332A



9

勝特力材料 886-3-5753170
 勝特力电子(上海) 86-21-54151736
 勝特力电子(深圳) 86-755-83298787
[Http://www.100y.com.tw](http://www.100y.com.tw)

<p>N-333A</p> 	<p>N-334A</p> 
<p>N-335A</p> 	<p>N-336A</p> 
<p>N-337A</p>  <p>Impedance: 50 ohm, 75 ohm, 93 ohm</p>	
<p>N-338A</p> 	<p>N-339A</p> 
<p>N-340A</p> 	<p>N-341A</p> 