

FEATURES AND SPECIFICATIONS

Features and Benefits

- High current
- Fully polarized
- Positive locks
- Low engagement force
- Wire-to-wire, wire-to-board

Reference Information

Product Specification: PS-42815-0001
 Packaging: Reel
 UL File No.: E29179
 CSA File No.: LR19980
 TUV License No.: R9751144
 Use With: 42816 and 43914 housings
 Designed In: Millimeters

Electrical

Voltage: 600V
 Current: 49.0A max.
 Contact Resistance: 1mΩ max.
 Dielectric Withstanding Voltage: 1500V
 Insulation Resistance: 1000 MΩ min.

Mechanical

Contact Insertion Force: 5.0kg max.
 Contact Retention to Housing: 9.0kg min.
 Wire Pull-Out Force: 12 AWG—31.0kg
 Insertion Force to PCB: 2.0kg max.
 Mating Force: 1.0kg max.
 Unmating Force: 0.5kg min.
 Normal Force: 200g min.
 Durability: 30 cycles

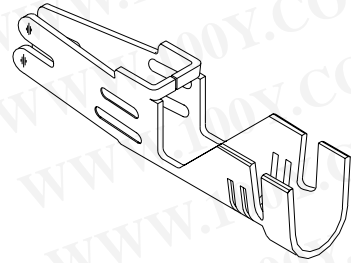
Physical

Contact: Copper Alloy
 Plating: Tin/Lead over Nickel
 Temperature: -40 to +105°C

molex® 10.00mm (.393") Pitch Mini-Fit, Sr.™ Terminal

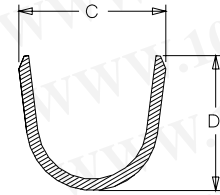
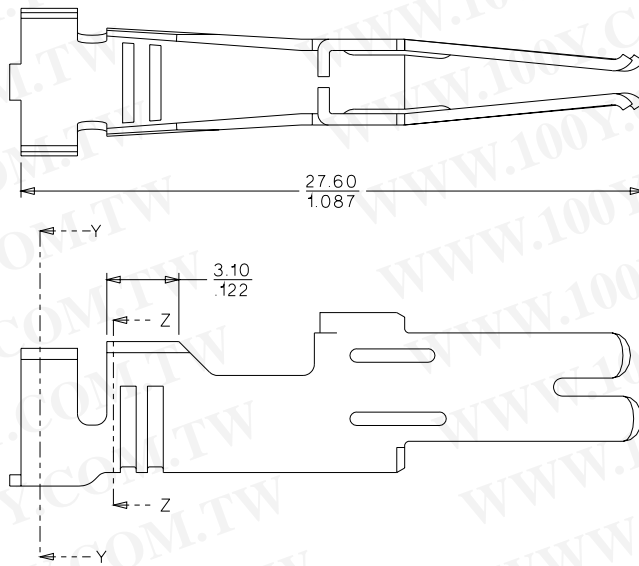
42815

Female

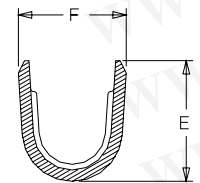


Power Connectors

K



SECTION Y-Y



SECTION Z-Z

ORDERING INFORMATION AND DIMENSIONS

Order No.	Wire Size (AWG)	Dimension			
		C	D	E	F
42815-0011	12 and 10	5.90 (.232)	6.60 (.260)	6.10 (.240)	5.40 (.213)
42815-0031	8	6.00 (.236)	5.50 (.216)	7.42 (.292)	5.83 (.229)

勝特力材料 886-3-5753170
 勝特力电子(上海) 86-21-34970699
 勝特力电子(深圳) 86-755-83298787
[Http://www.100y.com.tw](http://www.100y.com.tw)