

勝特力材料 886-3-5753170
 胜特力电子(上海) 86-21-34970699
 胜特力电子(深圳) 86-755-83298787
[Http://www.100y.com.tw](http://www.100y.com.tw)

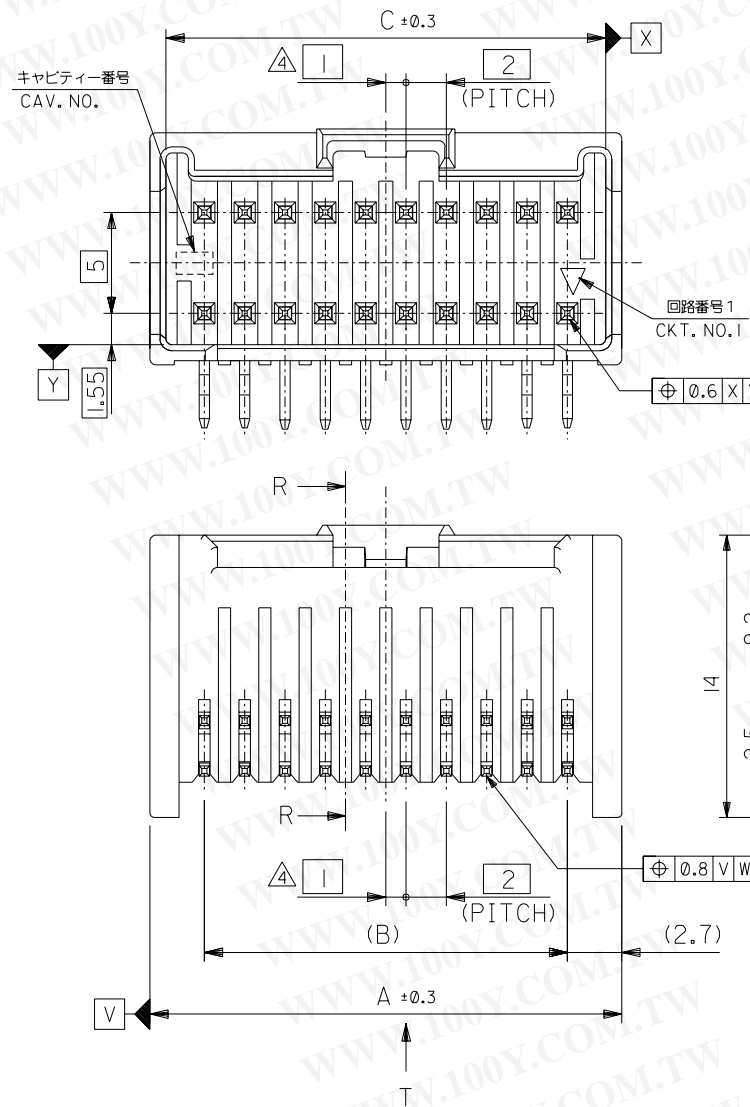
注記

1. 一般公差 : ±0.5
GENERAL TOLERANCES: ±0.5
 2. 各部の反りは2. OMAX.
WARP: 2.0MAX.
- トレイの中の製品の向きは (a) 又は (b) とし、かつ同一トレイ中の製品の向きはどちらか一方で統一
 PRODUCT DIRECTION SHOULD BE (a) OR (b).
 ALL PRODUCTS MUST FACED THE SAME DIRECTION IN THE TRAY.

55959-**7*
55959-**3*
適用製品番号
APPLICABLE PART No.

RELEASED EC NO: J2009-0955 DRWN: YOKUZONO 2008/10/20 CHKD: HARUYAMA 2008/10/20 APPR: NUKITA 2008/10/20	GENERAL TOLERANCES (UNLESS SPECIFIED)		DIMENSION STYLE MM ONLY		SCALE 1:2	DESIGN UNITS METRIC	THIRD ANGLE PROJECTION
	10 UNDER	± ---	DRAWN BY Y. TOKUZONO	DATE 2008/10/17	TITLE TRAY FOR 55959 (2.0MM W-T-B DUAL CONN. DIP PLUG HOUSING ASS'Y)		
	10 OVER 30 UNDER	± ---	CHECKED BY T. HARUYAMA	DATE 2008/10/17	MOLEX INCORPORATED DOCUMENT NO. SD-55959-001 SHEET NO. 1 OF 1		
	30 OVER	± ---	APPROVED BY N. UKITA	DATE 2008/10/17			
ANGULAR	± --- °	MATERIAL NO. 098910030		THIS DRAWING CONTAINS INFORMATION THAT IS PROPRIETARY TO MOLEX INCORPORATED AND SHOULD NOT BE USED WITHOUT WRITTEN PERMISSION			
REV	DRAFT WHERE APPLICABLE MUST REMAIN WITHIN DIMENSIONS						

DO NOT SCALE DRAWING



注記 NOTES

- 材料 MATERIAL
ピン : 黄銅, 錫メッキ
PIN : BRASS, TIN PLATING
ハウジング : PBT (ガラス入り: 15%), UL94V-0
HOUSING : PBT(G.F.: 15%), UL94V-0
- 嵌合相手 : 51353シリーズ
MATE WITH : 51353 SERIES
- ソルダーテールキップは、両端の8ピンのみとする。
KINK TO BE APPLIED FOR 8 PINS AT BOTH ENDS.

△ (全極数/2) = 偶数の場合に適用。
APPLY FOR (CIRCUIT/2)=EVEN

△ 製品番号 MATERIAL NO.
55959-***3*

極数 CIRCUIT SIZE 色 COLOR

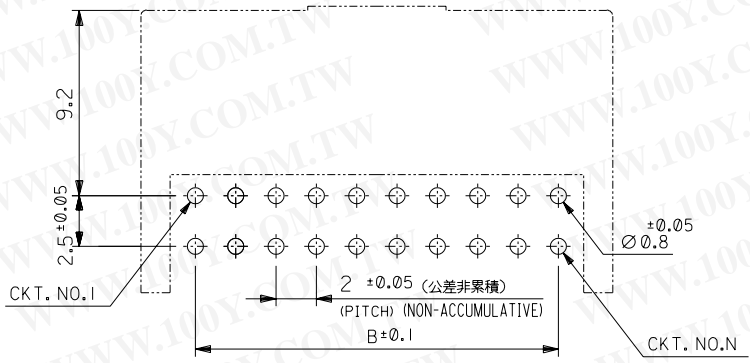
勝特力材料 886-3-5753170
 胜特力电子(上海) 86-21-34970699
 胜特力电子(深圳) 86-755-83298787
[Http://www.100y.com.tw](http://www.100y.com.tw)

ナチュラル(白) NATURAL(WHITE)	0
黒 BLACK	1
赤 RED	2
黄 YELLOW	3
青 BLUE	4
桃 PINK	5
緑 GREEN	6
茶 BROWN	7
橙 ORANGE	8
紫 VIOLET	9

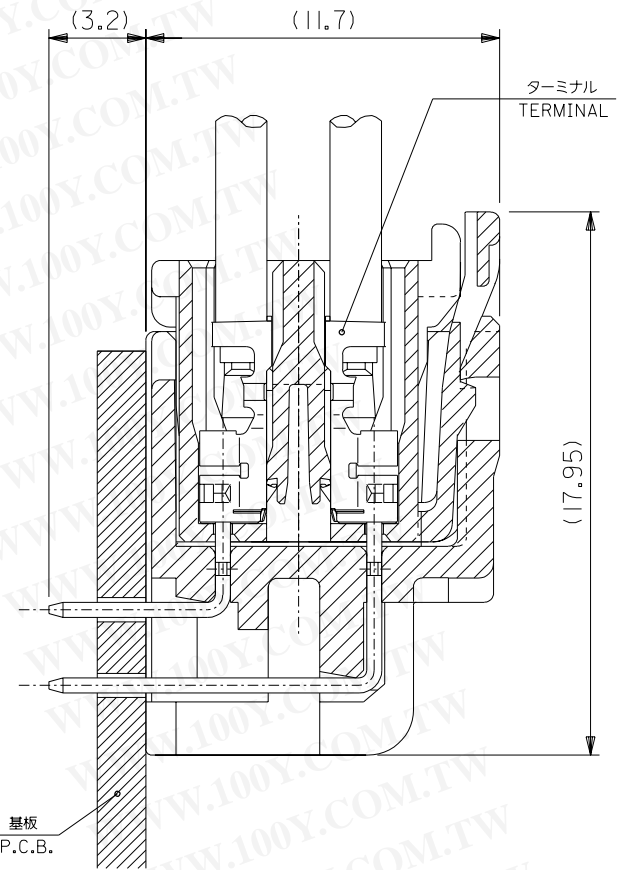
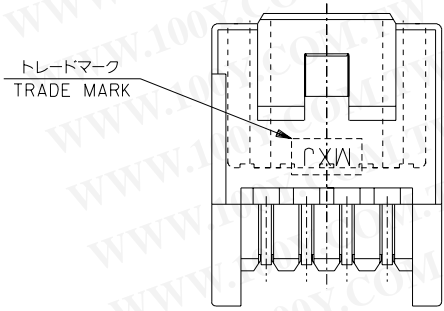
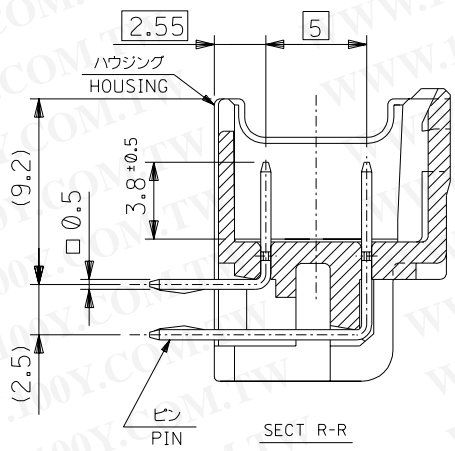
41.8	38	43.4	55959-403*	40
39.8	36	41.4	-383*	38
37.8	34	39.4	-363*	36
35.8	32	37.4	-343*	34
33.8	30	35.4	-323*	32
31.8	28	33.4	-303*	30
29.8	26	31.4	-283*	28
27.8	24	29.4	-263*	26
25.8	22	27.4	-243*	24
23.8	20	25.4	-223*	22
21.8	18	23.4	-203*	20
19.8	16	21.4	-183*	18
17.8	14	19.4	-163*	16
15.8	12	17.4	-143*	14
13.8	10	15.4	-123*	12
11.8	8	13.4	-103*	10
9.8	6	11.4	55959-083*	8
C	B	A	MATERIAL NO.	CKT.

EC NO. DRWN: CHK: APPR:	EC NO. DRWN: CHK: APPR:	EC NO. DRWN: CHK: APPR:	REVISED EC NO. J2004-3728 DRWN: Y. WADA '04/04/09 CHK: M. SASAO APPR: M. SASAO	REVISED EC NO. J2003-3290 DRWN: N. ITO '03/06/26 CHK: K. ASAKAWA APPR: T. YAMAGUCHI	MATERIAL 材料 注記参照 SEE NOTES	GENERAL TOLERANCES: (UNLESS SPECIFIED) 一般公差	55959-***3*	MODEL NO.	DIMENSIONS: mm INCH mm INCH		SHT	REV	
					FINISH 仕上げ //	10 UNDER 未満 ±0.2	SCALE // DESIGN UNITS <input checked="" type="checkbox"/> mm <input type="checkbox"/> INCH	THIRD ANGLE PROJECTION	<input type="checkbox"/> mm <input type="checkbox"/> INCH	<input type="checkbox"/> mm ONLY			
					WIRE RANGE 適用線径範囲 //	10 OVER 30 UNDER 未満 ±0.25	DRAWN BY & DATE N. ITO '02/02/24	TITLE: 2.0mm W-+-B DUAL CONN DIP PLUG HOUSING ASS'Y R/A (WITHOUT BOSS) -LEAD FREE-	MOLEX INCORPORATED				
					INS. RANGE 被覆外径 //	30 OVER 以上 ±0.3	CHECKED BY & DATE K. ASAKAWA '03/06/26	APPROVED BY & DATE T. YAMAGUCHI '03/06/26	MATERIAL NO. SEE CHART	DRAWING NO. SD-55959-003	SHEET NO. 1 OF 3		
						ANGLE 角度 ±3°	CAD FILENAME 55959003.S01					THIS DRAWING CONTAINS INFORMATION THAT IS PROPRIETARY TO MOLEX INCORPORATED AND SHOULD NOT BE USED WITHOUT WRITTEN PERMISSION.	SIZE B

DWG. NO. SD-55959-003



基板取付穴推奨寸法 (マウント面)
 RECOMMENDED P.C.BOARD
 HOLE DIMENSION
 (MOUNTING SIDE)
 (t = 1.2, 1.6)



嵌合断面図 (参考)
 MATED DRAWING (REF.)

勝特力材料 886-3-5753170
 胜特力电子(上海) 86-21-34970699
 胜特力电子(深圳) 86-755-83298787
[Http://www.100y.com.tw](http://www.100y.com.tw)

DO NOT SCALE DRAWING

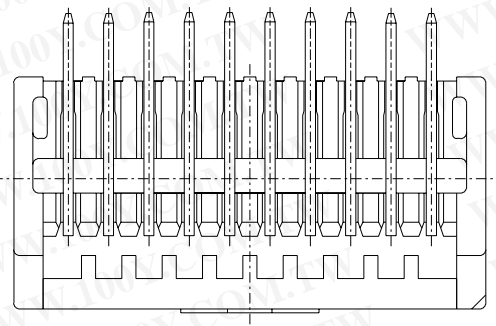
EC NO. DRWN: CHK: APPR:	EC NO. DRWN: CHK: APPR:	EC NO. DRWN: CHK: APPR:	REVISED EC NO. J2004-3728 DRWN: Y.WADA '04/04/09 CHK: M.SASAO APPR: M.SASAO	REVISED EC NO. J2003-3290 DRWN: N.ITO '03/06/26 CHK: K.ASAKAWA APPR: T.YAMAGUCHI	MATERIAL 材料 注記参照 SEE NOTES	FINISH 仕上げ //	WIRE RANGE 適用 線径 範囲 //	INS. RANGE 被覆 外径 //
----------------------------------	----------------------------------	----------------------------------	---	--	-------------------------------------	---------------------	------------------------------	---------------------------

GENERAL TOLERANCES: (UNLESS SPECIFIED) 一般公差	
10 UNDER 未満	±0.2
10 OVER 以上	±0.25
30 UNDER 未満	±0.25
30 OVER 以上	±0.3
ANGLE 角度	±3°

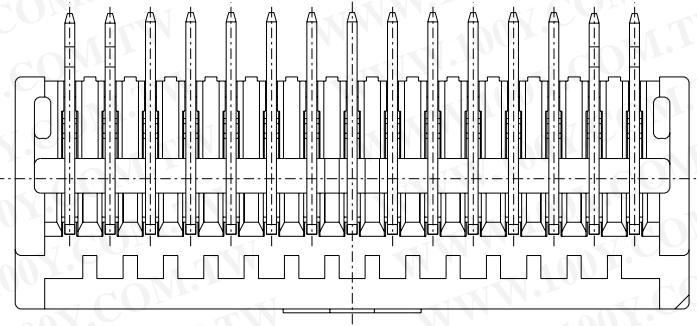
55959-***3		MODEL NO.	DIMENSIONS:		SHT	REV	
SCALE	DESIGN UNITS	THIRD ANGLE PROJECTION	<input type="checkbox"/> mm	<input type="checkbox"/> INCH	<input checked="" type="checkbox"/> mm ONLY	REVISE ON CAD ONLY	
DRAWN BY & DATE N.ITO '02/02/24	CHECKED BY & DATE K.ASAKAWA '03/06/26	TITLE: 2.0mm W+-B DUAL CONN DIP PLUG HOUSING ASS'Y R/A (WITHOUT BOSS) -LEAD FREE-				MOLEX INCORPORATED	
APPROVED BY & DATE T.YAMAGUCHI '03/06/26	CAD FILENAME 55959003.S02	MATERIAL NO. SEE CHART	DRAWING NO. SD-55959-003	SHEET NO. 2 OF 3			
THIS DRAWING CONTAINS INFORMATION THAT IS PROPRIETARY TO MOLEX INCORPORATED AND SHOULD NOT BE USED WITHOUT WRITTEN PERMISSION.						SIZE B	

DWG. NO. SD-55959-003

勝特力材料 886-3-5753170
 勝特力电子(上海) 86-21-34970699
 勝特力电子(深圳) 86-755-83298787
 Http://www.100y.com.tw

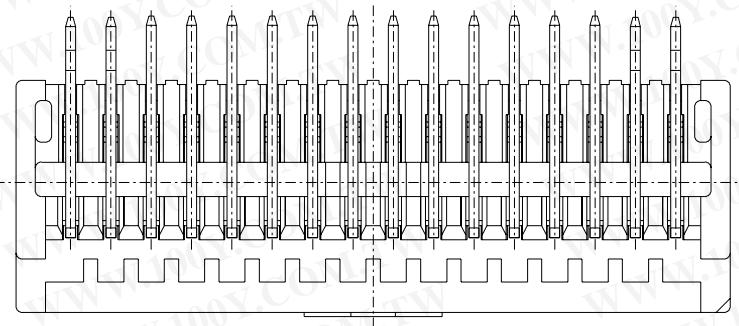


8-20 CIRCUIT



22,26,30,34,38 CIRCUIT

VIEW "T"



24,28,32,36,40 CIRCUIT

DO NOT SCALE DRAWING

EC NO. DRWN: CHK: APPR:	EC NO. DRWN: CHK: APPR:	EC NO. DRWN: CHK: APPR:	REVISED EC NO. J2004-3728 DRWN:Y.WADA '04/04/09 CHK: M.SASAO APPR:M.SASAO	REVISED EC NO. J2003-3290 DRWN:N.ITO '03/06/26 CHK: K.ASAKAWA APPR:T.YAMAGUCHI	MATERIAL 材料 注記参照 SEE NOTES	GENERAL TOLERANCES: (UNLESS SPECIFIED) 一般公差	SCALE //	DESIGN UNITS <input checked="" type="checkbox"/> mm <input type="checkbox"/> INCH	MODEL NO.	DIMENSIONS: <input type="checkbox"/> mm <input type="checkbox"/> INCH <input checked="" type="checkbox"/> mm ONLY	SHT	REV
					FINISH 仕上付 //	10 UNDER 未満 ±0.2	DRAWN BY & DATE N.ITO '02/02/24	<input checked="" type="checkbox"/> THIRD ANGLE PROJECTION	TITLE: 2.0mm W-+-B DUAL CONN DIP PLUG HOUSING ASS'Y R/A (WITHOUT BOSS) -LEAD FREE-			
					WIRE RANGE 適用線徑範圍 //	10 OVER 30 UNDER 以上 未満 ±0.25	CHECKED BY & DATE K.ASAKAWA '03/06/26		MOLEX MOLEX INCORPORATED			
					INS. RANGE 被覆外径 //	30 OVER 以上 ±0.3	APPROVED BY & DATE T.YAMAGUCHI '03/06/26		MATERIAL NO.	DRAWING NO.	SHEET NO.	
						ANGLE 角度 ±3°	CAD FILENAME 55959003.S03		SEE CHART	SD-55959-003	3 OF 3	SIZE B
THIS DRAWING CONTAINS INFORMATION THAT IS PROPRIETARY TO MOLEX INCORPORATED AND SHOULD NOT BE USED WITHOUT WRITTEN PERMISSION.												