

NOTES

1. 嵌合相手: 501189-****
MATE WITH: 501189-****
2. ソルダピン及びネールの平坦度は0.1MAX.
SOLDER PIN AND NAIL COPLANRITY TO BE 0.1MAX.
3. 極数/2=偶数極の場合に適用
APPLY FOR (CIRCUIT/2=EVEN)
4. 製品番号
MATERIAL No.
501571 - **07 , 501571 - **5*
CIRCUIT SIZE CIRCUIT SIZE 色
5. トレードマーク: MXプラス1文字のアルファベットにて構成
キャビティ番号: 1桁から2桁の数字にて構成
金型番号: アルファベット1文字にて構成
TRADE MARK: FORMED BY MX AND 1 MORE
LETTER OF ALPHABET, BUT "J" MEANS JAPAN. (e.g. MXJ)
CAVITY No.: FORMED BY 1 - 2 DIGIT NUMBERS.
MOLD No.: FORMED BY 1 LETTER OF ALPHABET.
6. ELV 及び RoHS 適合品
ELV AND RoHS COMPLIANT.

勝特力材料 886-3-5753170
胜特力电子(上海) 86-21-34970699
胜特力电子(深圳) 86-755-83298787
[Http://www.100y.com.tw](http://www.100y.com.tw)

SECTION C-C

番号 NO.	部品 PART	材質 MATERIAL
①	ウエハー WAFER	耐熱ナイロン、UL94V-0、色: シート2参照 HEAT RESISTANCE NYLON, UL94V-0, COLOR:SEE SHEET2
②	ソルダーピン SOLDER PIN	リン青銅 PHOSPHOR BRONZE 金メッキ : 0.1 MICRO METER MINIMUM. GOLD PLATING ニッケル下地メッキ : 1 MICRO METER MINIMUM. NICKEL UNDER PLATING
③	ネイル NAIL	黄銅 BRASS すずメッキ : 1 MICRO METER MINIMUM. TIN PLATING ニッケル下地メッキ : 1 MICRO METER MINIMUM. NICKEL UNDER PLATING

REVISED	EC NO: J2011-0742	2010/11/29	DRYMNKASHIO	2010/12/02	CHKD:KASAKAWA	2010/12/02	APPR:NIKITA	2010/12/02	DESCRIPTION	GENERAL TOLERANCES (UNLESS SPECIFIED)	DIMENSION STYLE	SCALE	DESIGN UNITS	THIRD ANGLE PROJECTION
		10 UNDER	±0.2		DRAWN BY	DATE	TITLE			MM ONLY	5:1	METRIC	◎	
		10 OVER 30 UNDER	±0.25		CHECKED BY	DATE	1.0 WIRE TO BOARD CONN. 2-ROW R/A WAFER ASSY -LEAD FREE-							
		30 OVER	±0.3		APPROVED BY	DATE	MOLEX INCORPORATED							
		ANGULAR	±3 °		ANODA	2005/02/14	MOLEX INCORPORATED							
		DRAFT WHERE APPLICABLE MUST REMAIN WITHIN DIMENSIONS			MATERIAL NO.	DOCUMENT NO.	SD-501571-001							
		SIZE	A3	THIS DRAWING CONTAINS INFORMATION THAT IS PROPRIETARY TO MOLEX INCORPORATED AND SHOULD NOT BE USED WITHOUT WRITTEN PERMISSION										

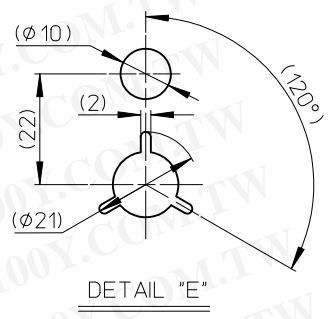
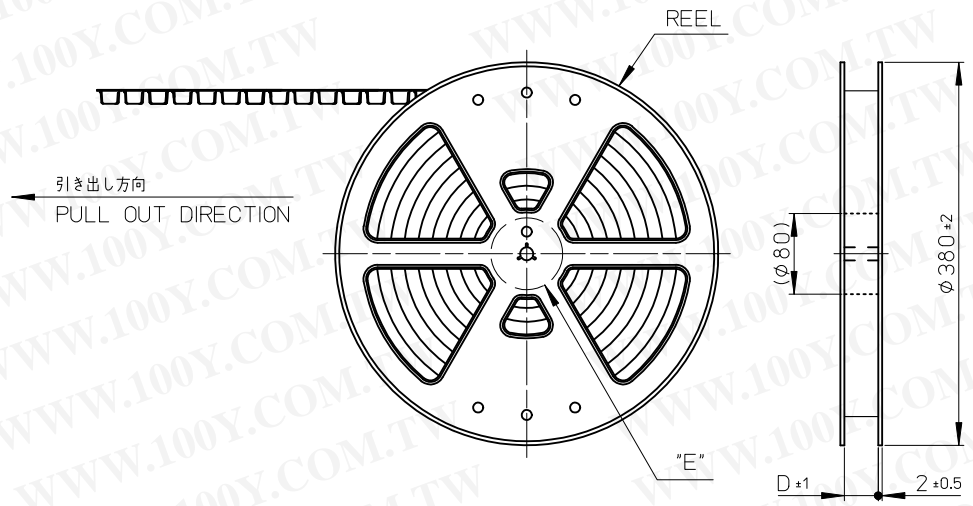
24	28	501571-50**	50
19	23	501571-40**	40
14	18	501571-30**	30
9	13	501571-20**	20
B	A	EMBOSSED PACKAGE	CKT
		オーダー番号 ORDER NO.	
CONNECTOR SERIES No. 501571-****			

10 | 9 | 8 | 7 | 6 | 5 | 4 | 3 | 2 | 1

勝特力材料 886-3-5753170
 胜特力电子(上海) 86-21-34970699
 胜特力电子(深圳) 86-755-83298787
 Http://www.100y.com.tw

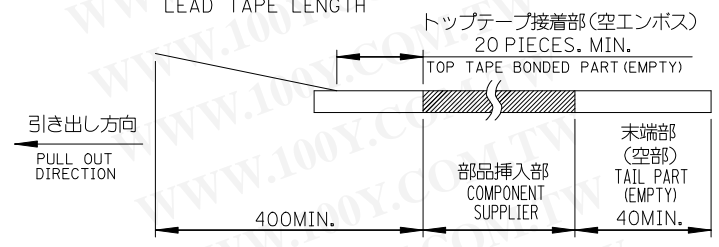
緑 GREEN		青 BLUE		赤 RED		黒 BLACK		自然色 NATURAL		色 COLOR
//	501571-**76	//	501571-**74	//	501571-**72	//	501571-**71	501571-5007	501571-**09	50
//		//		//		//		501571-4007		40
//		//		//		//		501571-3007		30
501571-2056	501571-2054	501571-2052	501571-2051	501571-2007	20					
EMBOSSED PACKAGE オーダー番号 ORDER NO.	CONNECTOR SERIES	EMBOSSED PACKAGE オーダー番号 ORDER NO.	CONNECTOR SERIES	EMBOSSED PACKAGE オーダー番号 ORDER NO.	CONNECTOR SERIES	EMBOSSED PACKAGE オーダー番号 ORDER NO.	CONNECTOR SERIES	EMBOSSED PACKAGE オーダー番号 ORDER NO.	CONNECTOR SERIES	CKT.

SEE SHEET 1 EC NO: J2011-0742 DRWN:KAWASHI 2010/11/29 CHKD:KASAKAWA 2010/12/02 APPR:NUKITA 2010/12/02	GENERAL TOLERANCES (UNLESS SPECIFIED)		DIMENSION STYLE MM ONLY		SCALE 5:1	DESIGN UNITS METRIC		THIRD ANGLE PROJECTION	
	10 UNDER	±0.2	DRAWN BY TRSUZUKI	DATE 2005/02/14	TITLE 1.0 WIRE TO BOARD CONN. 2-ROW R/A WAFER ASSY -LEAD FREE-				
	10 OVER 30 UNDER	±0.25	CHECKED BY MYAGI	DATE 2005/02/14	MOLEX INCORPORATED				
	30 OVER	±0.3	APPROVED BY ANODA	DATE 2005/02/14					
	ANGULAR ±3 °		DRAFT WHERE APPLICABLE MUST REMAIN WITHIN DIMENSIONS		MATERIAL NO. SEE TABLE		DOCUMENT NO. SD-501571-001		SHEET NO. 2 OF 2

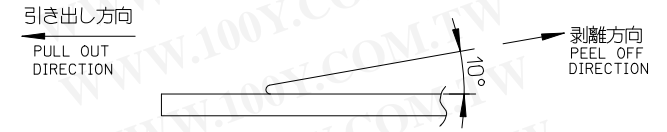


NOTES

- 製品詳細寸法については SD-501571-001 を参照ください。
RE DETAILED DIMENSION, SEE SD-501571-001
- 梱包数量 : 800 個 / リール
NUMBER OF CONNECTORS : 800 PIECES/REEL
- リードテープ長さ
LEAD TAPE LENGTH



- トップテープの剥離強度 : 0.1 ~ 1.3N (10.2 ~ 132.5gf) (剥離方向は下図参照)
PEELING OFF FORCE OF TOP TAPE (PEELING DIRECTION AS SHOWN IN FOLLOWING FIGURE)
尚、本規格値は、出荷時に適用。(但し、輸送時に剥離が発生しないこと)
THIS REQUIREMENT SHOULD BE APPLIED AT SHIPMENT.
PEEL OFF SHOULD NOT BE ALLOWED, DURING TRANSPORTATION.

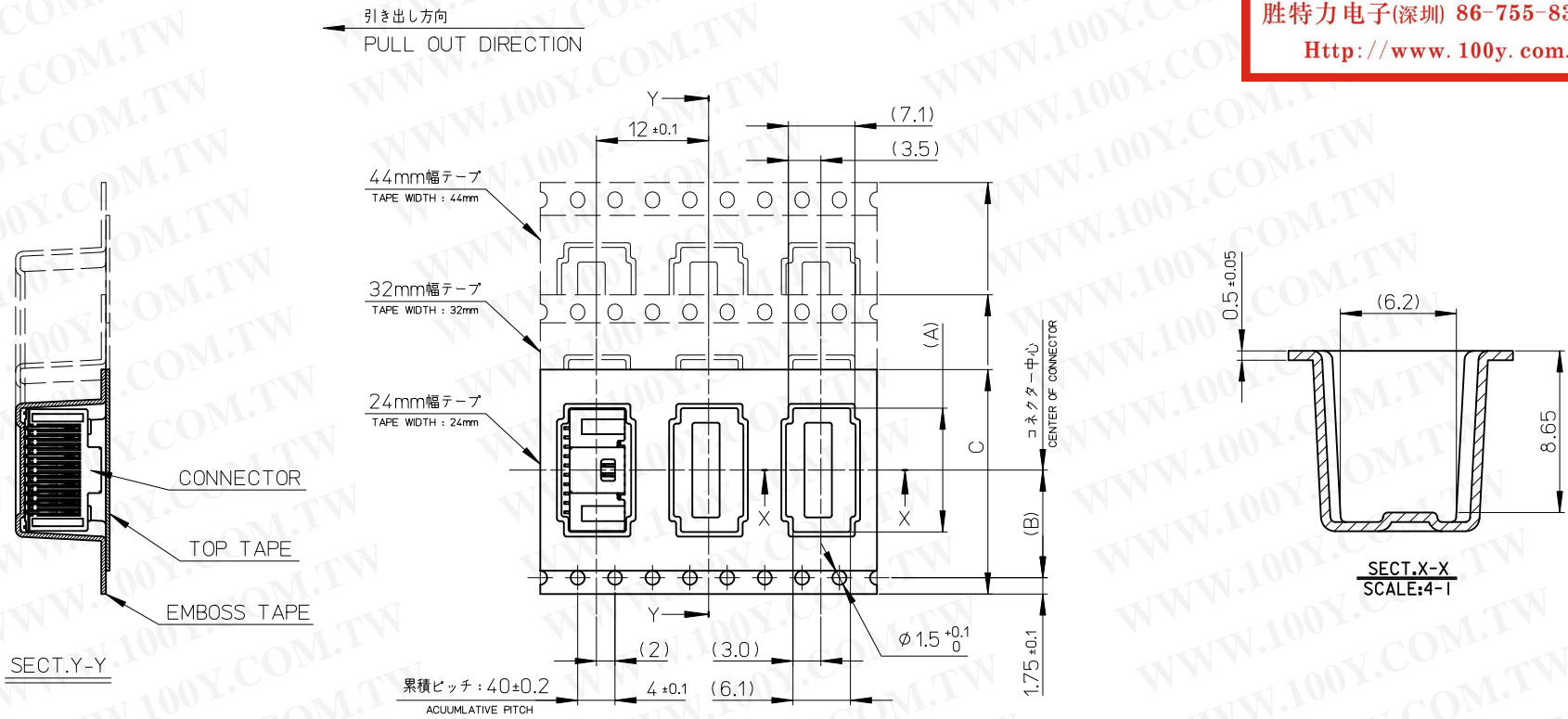


- 材料
MATERIAL
キャリアテープ : ポリプロピレン
CARRIER TAPE : POLYPROPYLENE
トップテープ : PET, PE, REF
TOP TAPE
リール : ポリスチレン (リサイクル材を含む)
REEL : POLYSTYRENE (RECYCLE MATERIAL CONTAINED)
- 乾燥剤入り防湿梱包仕様になります。(501571-**07以外)
INCLUDING DESICCANT TAPING PACKAGE.
(BESIDES 501571-**07)
- ELV 及び RoHS 適合品
ELV AND RoHS COMPLIANT.

勝特力材料 886-3-5753170
 胜特力电子(上海) 86-21-34970699
 胜特力电子(深圳) 86-755-83298787
[Http://www.100y.com.tw](http://www.100y.com.tw)

REVISED EC NO: J2011-0742 DRWN: KWASHIO 2010/11/29 CHKD: KASAKAWA 2010/12/02 APPR: NUKITA 2010/12/02	DESCRIPTION	GENERAL TOLERANCES (UNLESS SPECIFIED)		DIMENSION STYLE MM ONLY		SCALE ---	DESIGN UNITS METRIC	THIRD ANGLE PROJECTION	
		10 UNDER	±0.2	DRAWN BY TRSUZUKI	DATE 2005/02/14	TITLE 1.0 WIRE TO BOARD CONN. 2-ROW R/A WAFER ASSY EMBTB PKG -LEAD FREE-			
		10 OVER 30 UNDER	±0.25	CHECKED BY MYAGI	DATE 2005/02/14	MOLEX INCORPORATED			
		30 OVER	±0.3	APPROVED BY ANODA	DATE 2005/02/14	DOCUMENT NO. SD-501571-002			
A	REV	ANGULAR	±3 °	MATERIAL NO. SEE SHEET 2		SHEET NO. 1 OF 3			
		DRAFT WHERE APPLICABLE MUST REMAIN WITHIN DIMENSIONS		THIS DRAWING CONTAINS INFORMATION THAT IS PROPRIETARY TO MOLEX INCORPORATED AND SHOULD NOT BE USED WITHOUT WRITTEN PERMISSION					

勝特力材料 886-8-5753170
勝特力电子(上海) 86-21-34970699
勝特力电子(深圳) 86-755-83298787
[Http://www.100y.com.tw](http://www.100y.com.tw)



45.5	44±0.3	20.2	28.3	501571-5009	501571-5007	50
			23.3	501571-4009	501571-4007	40
33.5	32±0.3	14.2	18.3	501571-3009	501571-3007	30
25.5	24±0.3	11.5	13.3	501571-2009	501571-2007	20
				501571-207*	501571-205*	
D	C	(B)	(A)	CONNECTOR SERIES NO.	EMBOSSED PACKAGE ORDER NO.	CKTS.

SEE SHEET 1 EC NO: J2011-0742 DRWN: KWASHIO 2010/12/01 CHKD: KASAKAWA 2010/12/02 APPR: NUKITA 2010/12/02	GENERAL TOLERANCES (UNLESS SPECIFIED)	DIMENSION STYLE MM ONLY	SCALE ---	DESIGN UNITS METRIC	THIRD ANGLE PROJECTION	
	10 UNDER ±0.2 10 OVER 30 UNDER ±0.25 30 OVER ±0.3	DRAWN BY TRSUZUKI	DATE 2005/02/14	TITLE 1.0 WIRE TO BOARD CONN. 2-ROW R/A WAFER ASSY EMBTP PKG -LEAD FREE-		
	ANGULAR ±3 ° DRAFT WHERE APPLICABLE MUST REMAIN WITHIN DIMENSIONS	CHECKED BY MYAGI	DATE 2005/02/14	MOLEX INCORPORATED		
	APPROVED BY ANODA	DATE 2005/02/14	MATERIAL NO. SEE CHART	DOCUMENT NO. SD-501571-002	SHEET NO. 2 OF 3	

勝特力材料 886-3-5753170
 勝特力電子(上海) 86-21-34970699
 勝特力電子(深圳) 86-755-83298787
 Http://www.100y.com.tw

緑 GREEN	青 BLUE	赤 RED	黒 BLACK	色 COLOR
--	--	--	--	50
--	--	--	--	40
--	--	--	--	30
501571-2056	501571-2054	501571-2052	501571-2051	20
EMBOSSED PACKAGE オーダー番号 ORDER NO.				CKT. CONNECTOR SERIES NO.
			自然色 NATURAL	色 COLOR
			501571-5007	50
			501571-4007	40
			501571-3007	30
			501571-2007	20
EMBOSSED PACKAGE オーダー番号 ORDER NO.				CKT. CONNECTOR SERIES NO.

SEE SHEET 1 EC NO: J2011-0742 DRWN:KASHIO 2010/11/29 CHKD:KASAKAWA 2010/12/02 APPR:NUKITA 2010/12/02	DESCRIPTION REV	GENERAL TOLERANCES (UNLESS SPECIFIED)		DIMENSION STYLE MM ONLY		SCALE DESIGN UNITS --- METRIC		THIRD ANGLE PROJECTION	
		10 UNDER	±0.2	DRAWN BY TRSUZUKI	DATE 2005/02/14	TITLE 1.0 WIRE TO BOARD CONN. 2-ROW R/A WAFER ASSY EMBTB PKG -LEAD FREE-			
		10 OVER 30 UNDER	±0.25	CHECKED BY MYAGI	DATE 2005/02/14	MOLEX INCORPORATED			
		30 OVER	±0.3	APPROVED BY NUKITA	DATE 2010/12/02				
ANGULAR ±3 °		DRAFT WHERE APPLICABLE MUST REMAIN WITHIN DIMENSIONS		SEE CHART		DOCUMENT NO. SD-501571-002		SHEET NO. 3 OF 3	
SIZE A3		THIS DRAWING CONTAINS INFORMATION THAT IS PROPRIETARY TO MOLEX INCORPORATED AND SHOULD NOT BE USED WITHOUT WRITTEN PERMISSION							