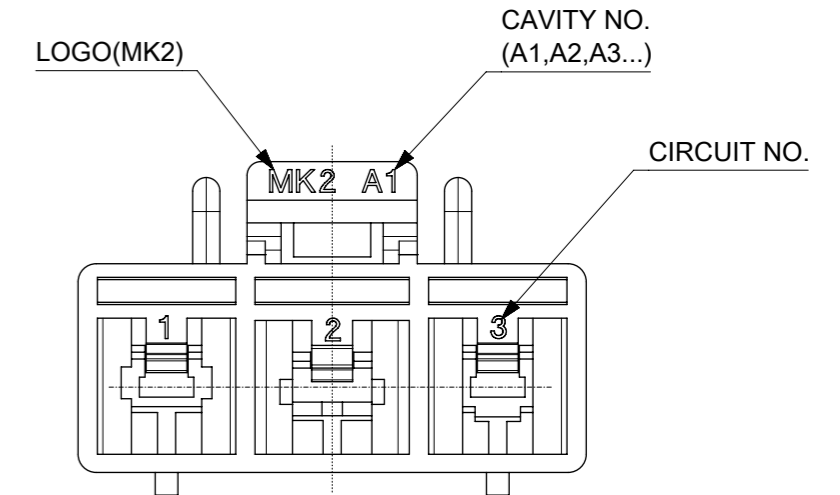
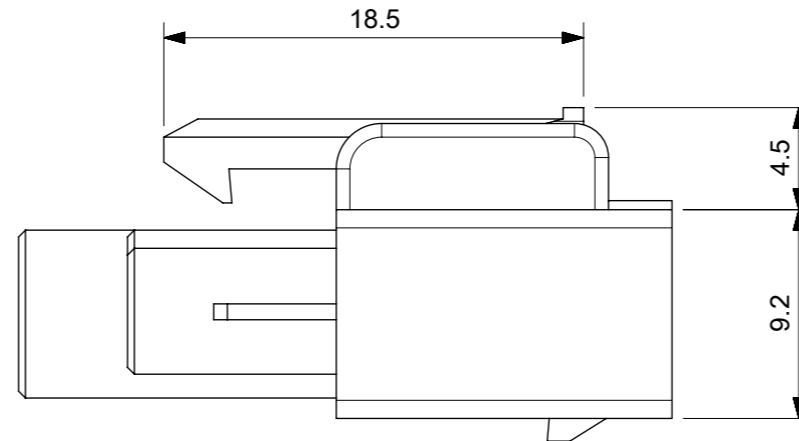
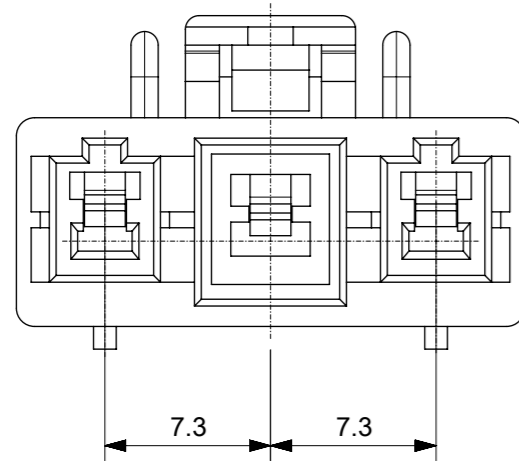
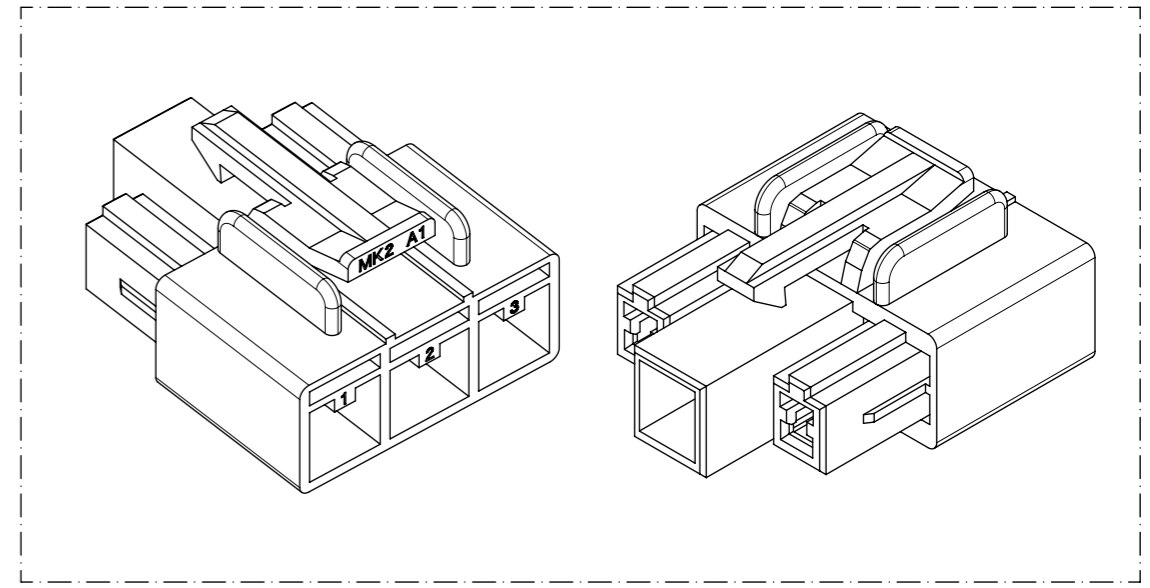


NOTE

1. MATERIALS : SEE TABLE
2. MATED HOUSING : 35150-*30*, 35150-*31*
35186-0610, 35524-*92*
3. APPLICABLE TPA : 35150-039*
4. APPLICABLE TERMINAL : 35746-0*10 (1 CIRCUIT)
35745-0*10 (2 CIRCUIT)
35748-0*10 (3 CIRCUIT)
5. PRODUCT SPECIFICATION : PS-35150-001
PS-35150-003
PS-35524-001
6. PACKAGING SPECIFICATION : PK-35151-004



NO.	MATERIAL		PRODUCT	
	DESCRIPTION	COLOR	MATERIAL NO.	PART NO.
1	PET/PC (UL94V-0)	BLUE	351514319	35151-4319
2		YELLOW	351513319	35151-3319
3		RED	351512319	35151-2319
4		NATURAL	351510319	35151-0319
5	PBT (UL94V-0)	BLUE	351510314	35151-0314
6		NATURAL	351510310	35151-0310

THIS DRAWING CONTAINS INFORMATION THAT IS PROPRIETARY TO MOLEX ELECTRONIC TECHNOLOGIES, LLC AND SHOULD NOT BE USED WITHOUT WRITTEN PERMISSION											
QUALITY SYMBOLS	EC NO: 169553 DRWN: JBJIN CHK'D: SHCHU APPR: YSKIM02	GENERAL TOLERANCES (UNLESS SPECIFIED)		DIMENSION UNITS	SCALE						
		ANGULAR TOL ± 1.0 °		mm	3:1						
▽ = 0	F REV	4 PLACES ±	DRWN BY	DATE		7.3 PITCH W/W CONN. FEMALE HOUSING -3P					
▽ = 0		3 PLACES ±	SCHONG03	2017/09/20							
▽ = 0		2 PLACES ±	CHK'D BY	DATE							
▽ = 0		1 PLACE ± 0.3	SHCHU	2017/09/20							
▽ = 0		0 PLACES ±	APPR BY	DATE							
▽ = 0		DRAFT WHERE APPLICABLE MUST REMAIN WITHIN DIMENSIONS	YSKIM02	2017/12/18							
▽ = 0		DRAWING SIZE	THIRD ANGLE PROJECTION		PRODUCT CUSTOMER DRAWING						
		A3			SERIES	MATERIAL NUMBER	CUSTOMER				
					35151	SEE TABLE	GENERAL MARKET				
					DOCUMENT NUMBER		DOC TYPE	DOC PART	SHEET NUMBER		
					SD-35151-031		PSD	001	1 OF 2		

This document was generated on 12/21/2021

PLEASE CHECK WWW.MOLEX.COM FOR LATEST PART INFORMATION

Part Number: [0351514319](#)
Status: **Active**
Overview: [VersaBlade Wire-to-Wire Connector System](#)
Description: [VersaBlade Hybrid Plug Housing, 3 Circuits, Positive Lock, Blue, Glow-Wire Capable](#)

Documents:

3D Model	Application Specification 351500000ASKOR-000 (PDF)
3D Model (PDF)	Packaging Specification PK-35151-004-001 (PDF)
Drawing (PDF)	Datasheet (PDF)
Product Specification PS-35150-001-001 (PDF)	Brochure (PDF)
Product Specification PS-35150-003-001 (PDF)	RoHS Certificate of Compliance (PDF)
Application Specification 351500000ASENG-000 (PDF)	

Agency Certification

CSA	LR19980
UL	E29179

General

Product Family	Crimp Housings
Series	35151
Application	Power, Wire-to-Wire
Overview	VersaBlade Wire-to-Wire Connector System
Product Name	VersaBlade
UPC	822350372909

Physical

Breakaway	No
Circuits (maximum)	3
Color - Resin	Blue
Flammability	94V-0
Gender	Plug
Glow-Wire Capable	Yes
Keying to Mating Part	None
Lock to Mating Part	Yes
Material - Resin	PET/PC
Net Weight	2.740/g
Number of Rows	1
Packaging Type	Bag
Panel Mount	No
Pitch - Mating Interface	7.30mm
Pitch - Termination Interface	7.30mm
Polarized to Mating Part	Yes
Stackable	No
Temperature Range - Operating	-40° to +110°C

Material Info

Reference - Drawing Numbers

Application Specification	351500000AS_ENG-000, 351500000AS_KOR-000
Packaging Specification	PK-35151-004-001
Product Specification	PS-35150-001-001, PS-35150-003-001
Sales Drawing	SD-35151-031-001, SD-35151-031X-001



Series image - Reference only

EU ELV

Not Relevant

EU RoHS

Compliant

REACH SVHC

Not Contained Per -
D(2021)4569-DC (8
July 2021)

Halogen-Free

Status

Not Low-Halogen

For more information, please visit [Contact US](#)

China ROHS

ELV

RoHS Phthalates

China RoHS

Green Image

Not Relevant

Not Contained

Search Parts in this Series

[35151](#) Series

Mates With

VersaBlade Receptacle Housing [35150](#)

VersaBlade Multi-Module 2-3-4
Receptacle Housing [35524](#) , [2026500909](#)

Use With

VersaBlade Crimp Terminals [35746](#) (ckt 1),
[35745](#) (ckt 2), [35748](#) (ckt 3)
VersaBlade
TPA [351500390](#) , [351500392](#) , [351500393](#) ,
[351500394](#)