



WWW.100Y.COM.TW

DWG. NO. SD-51353-002

F

D

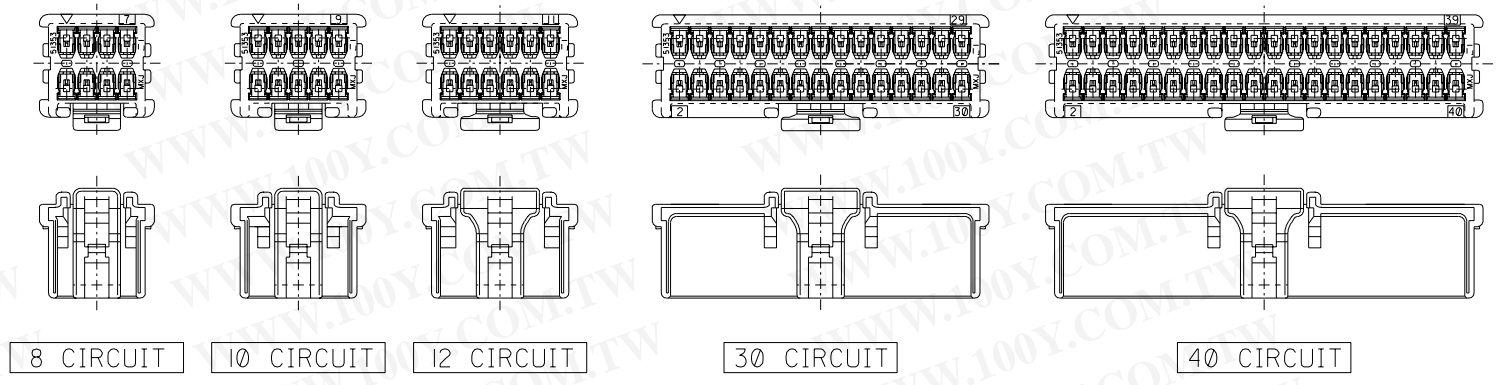
V

C

B

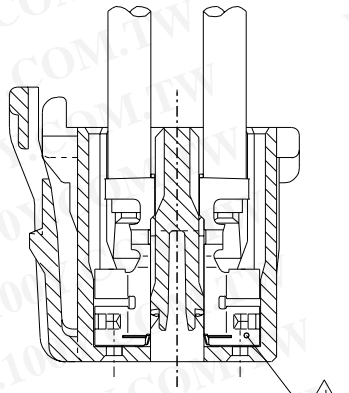
DO NOT SCALE DRAWING

8 7 6 5 4 3 2 1



VIEW OF 8,10,12,40 CIRCUIT  
(2:1)

勝特力材料 886-3-5753170  
 勝特力电子(上海) 86-21-34970699  
 勝特力电子(深圳) 86-755-83298787  
[Http://www.100y.com.tw](http://www.100y.com.tw)



ターミナル装着状態図  
 TERMINAL ASSEMBLY DRAWING  
 SCALE 5:1

EC NO. DRAWN: CHK: APPR:	REVISED EC NO. J2003-0719 DRAWN: ITO '02/09/12 CHK: K.ASAKAWA APPR: T.YAMAGUCHI	REVISED EC NO. J2003-0066 DRAWN: ITO '02/07/08 CHK: K.ASAKAWA APPR: T.YAMAGUCHI	REVISED EC NO. J2002-2307 DRAWN: ITO '02/03/18 CHK: K.ASAKAWA APPR: T.YAMAGUCHI	RELEASED EC NO. J2002-1196 DRAWN: ITO '01/12/17 CHK: K.ASAKAWA APPR: T.YAMAGUCHI	MATERIAL 材料 SEE CHART 1 OF 2	GENERAL TOLERANCES: (UNLESS SPECIFIED) 一般公差	SCALE	DESIGN UNITS	MODEL NO.	DIMENSIONS: <input type="checkbox"/> mm <input type="checkbox"/> INCH <input checked="" type="checkbox"/> mm ONLY	SHT	REV REVISE ON CAD ONLY
	C	B	A	0			10 UNDER 未滿	±0.2				
					FINISH 仕上げ //	10 OVER 以上	±0.25	CHECKED BY & DATE K.ASAKAWA '02/09/12	MATERIAL NO. SEE CHART	DRAWING NO. SD-51353-002	SHEET NO. 2 OF 2	SIZE B
					WIRE RANGE 適用 規格 範囲 //	30 UNDER 未滿	±0.3	APPROVED BY & DATE T.YAMAGUCHI '02/09/12				
					INS. RANGE 被覆 外径 //	30 OVER 以上	±0.3	CAD FILENAME 51353002.S02	MATERIAL NO. SEE CHART	DRAWING NO. SD-51353-002	SHEET NO. 2 OF 2	SIZE B
					REV	ANGLE 角度	±3°	THIS DRAWING CONTAINS INFORMATION THAT IS PROPRIETARY TO MOLEX INCORPORATED AND SHOULD NOT BE USED WITHOUT WRITTEN PERMISSION.				
8	7	6	5	4	3	2	1	EN-02J(097) MXJ-54				

F

E

D

C

B

A

51353002.S02