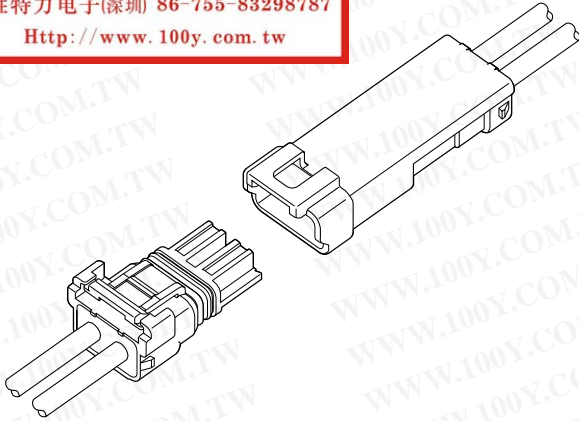




# WPJ CONNECTOR

5.0mm pitch/Disconnectable Crimp style Wire-to-wire connectors

勝特力材料 886-3-5753170  
勝特力电子(上海) 86-21-34970699  
勝特力电子(深圳) 86-755-83298787  
[Http://www.100y.com.tw](http://www.100y.com.tw)



**Compact, Water Resist and Durable.**  
**This connector for electrical connection can be used on both waterproof and non-waterproof conditions, depending on the usage.**

- Waterproof performance [Grade 7 ingress protection of JIS C 0920 (IPX7 of IEC 60529 )]
- Control key system
- Contacting part of contact is hardly deformed
- Inner-locking system
- Compact design

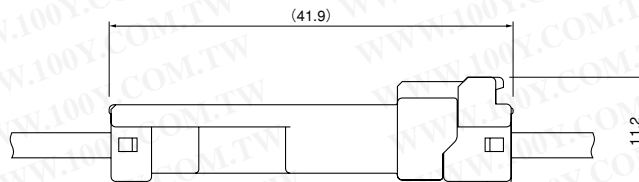
## Specifications

- Current rating: 7 A AC, DC (AWG #18)
  - Voltage rating: 300 V AC, DC
  - Temperature range: -25°C to +85°C  
(including temperature rise in applying electrical current)
  - Contact resistance: Initial value/ 10 mΩ max.  
After environmental tests/ 20 mΩ max.
  - Insulation resistance: 1,000 MΩ min.
  - Withstanding voltage: 1,500 VAC/minute
  - Applicable wire: Conductor size/ AWG #22 to #18  
Insulation O.D./ 2.32 to 2.83 mm  
1.52 to 2.03 mm
  - Waterproof grade: Grade 7 ingress protection of JIS C 0920 (IPX7 of IEC 60529 )
- \* Refer to "General Instruction and Notice when using Terminals and Connectors" at the end of this catalog.  
\* Contact JST for details.  
\* Compliant with RoHS.

## Standards

- Ⓜ Recognized E60389
- Ⓢ Certified LR20812
- Ⓛ File No.R50073100

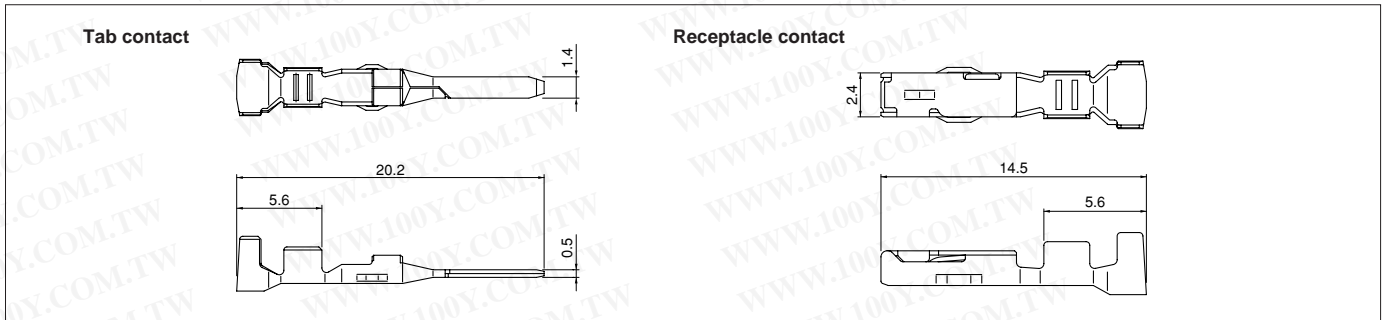
## Assembly layout



# WPJ CONNECTOR

(Non-waterproof type)

## Contact



Model No.		Applicable wire		Insulation O.D. (mm)	Q'ty/reel	
Tab contact	Receptacle contact	mm <sup>2</sup>	AWG #		Tab contact	Receptacle contact
SWPJT-21T-P0.5	SWPJR-21T-M0.5	0.33~0.83	22~18	2.32~2.83	6,000	4,500
SWPJT-21T-P0.5A	SWPJR-21T-M0.5A			1.52~2.03	9,000	4,500

### Material and Finish

Copper alloy, tin-plated (reflow treatment)

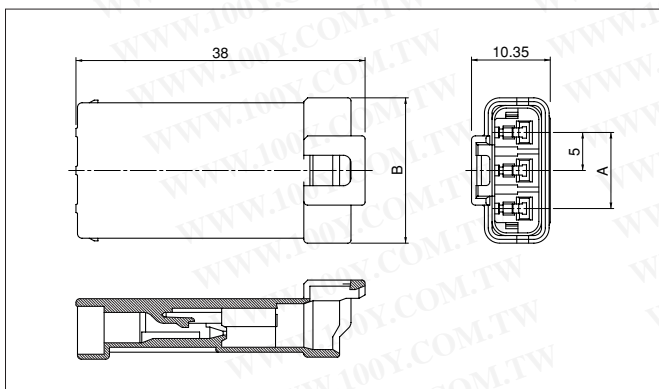
### RoHS compliance

#### Non-waterproof type

Contact	Crimping machine	Applicator		
		Crimp applicator	Dies	Crimp applicator with dies
SWPJT-21T-P0.5	AP-K2N	MKS-L	MK/SWPJR/T-21-05	APLMK SWPJR/T21-05
		—	—	—
SWPJR-21T-M0.5	AP-K2N	MKS-L	MK/SWPJR/T-21-05	APLMK SWPJR/T21-05
		—	—	—

Contact	Crimping machine	Applicator		
		Crimp applicator	Dies	Crimp applicator with dies
SWPJT-21T-P0.5A	AP-K2N	MKS-L	MK/SWPJR/T-21-05A	APLMK SWPJR/T21-05A
		—	—	—
SWPJR-21T-M0.5A	AP-K2N	MKS-L	MK/SWPJR/T-21-05A	APLMK SWPJR/T21-05A
		—	—	—

## Tab housing (for tab contact)



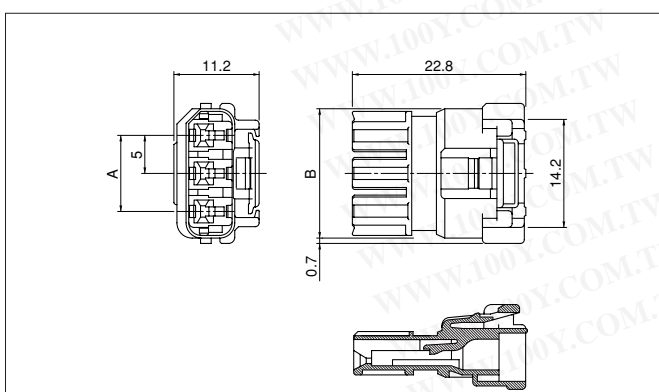
Circuits	Model No.	Dimensions (mm)		Q'ty/bag
		A	B	
2	WPJT-02V-1-S	—	14.2	500
3	WPJT-03V-1-S	10	19.2	500

### Material

Glass-filled PBT, UL94V-0, natural (white)

### RoHS compliance

## Receptacle housing (for receptacle contact)



Circuits	Model No.	Dimensions (mm)		Q'ty/bag
		A	B	
2	WPJR-02V-1-S	—	12.1	1,000
3	WPJR-03V-1-S	10	17.1	1,000

### Material

Glass-filled PBT, UL94V-0, natural (white)

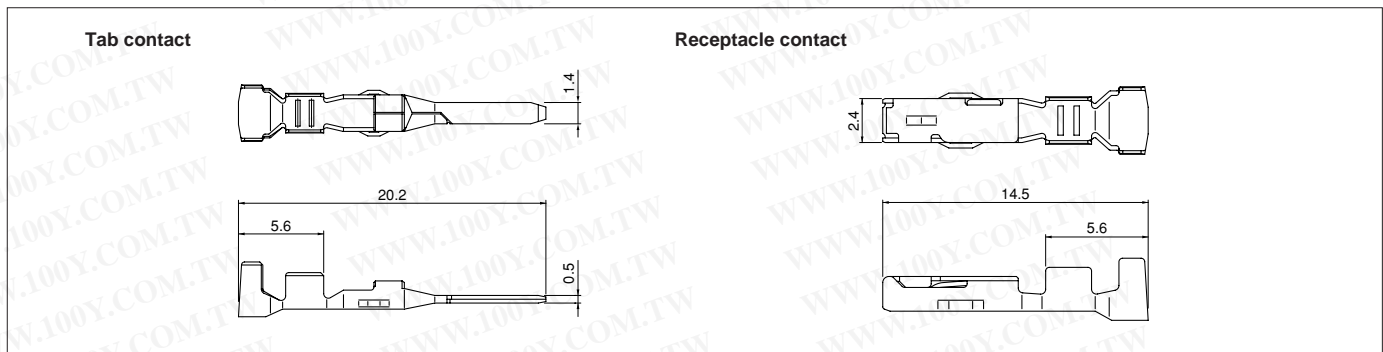
### RoHS compliance

# WPJ CONNECTOR

(Waterproof type)

勝特力材料 886-3-5753170  
 勝特力电子(上海) 86-21-34970699  
 勝特力电子(深圳) 86-755-83298787  
[Http://www.100y.com.tw](http://www.100y.com.tw)

## Contact



Model No.		Applicable wire		Insulation O.D. (mm)	Q'ty/reel	
Tab contact	Receptacle contact	mm <sup>2</sup>	AWG #		Tab contact	Receptacle contact
<b>SWPJT-21T-P0.5</b>	<b>SWPJR-21T-M0.5</b>	0.33~0.83	22~18	2.32~2.83	6,000	4,500

### Material and Finish

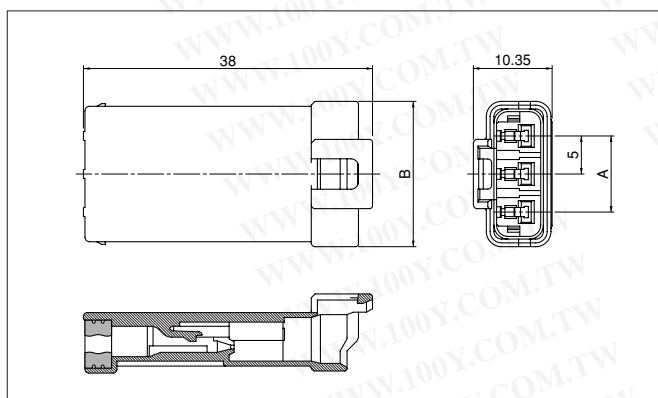
Copper alloy, tin-plated (reflow treatment)

## RoHS compliance

### Waterproof type

Contact	Crimping machine	Applicator		
		Crimp applicator	Dies	Crimp applicator with dies
<b>SWPJT-21T-P0.5</b>	AP-K2N	MKS-L	MK/SWPJR/T-21-05	APLMK SWPJR/T21-05
		—	—	—
<b>SWPJR-21T-M0.5</b>	AP-K2N	MKS-L	MK/SWPJR/T-21-05	APLMK SWPJR/T21-05
		—	—	—

### Tab housing assembly (for tab contact)



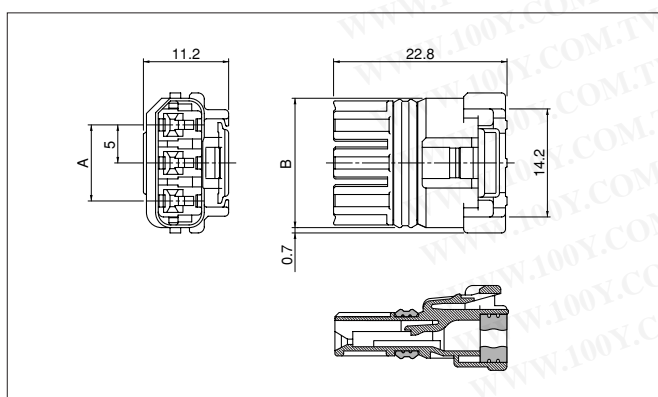
Circuits	Model No.	Dimensions (mm)		Q ty/bag
		A	B	
2	<b>02T-WPJV-1-SM</b>	—	14.2	675
3	<b>03T-WPJV-1-SM</b>	10	19.2	495

### Material

Tab housing: Glass-filled PBT, UL94V-0, natural (white)  
 Seal rubber plate: Silicon, green

### RoHS compliance

### Receptacle housing assembly (for receptacle contact)



Circuits	Model No.	Dimensions (mm)		Q ty/bag
		A	B	
2	<b>02R-WPJV-1-SMM</b>	—	12.1	720
3	<b>03R-WPJV-1-SMM</b>	10	17.1	576

### Material

Receptacle housing: Glass-filled PBT, UL94V-0, natural (white)  
 Seal ring: Silicon, green  
 Seal rubber plate: Silicon, green

### RoHS compliance