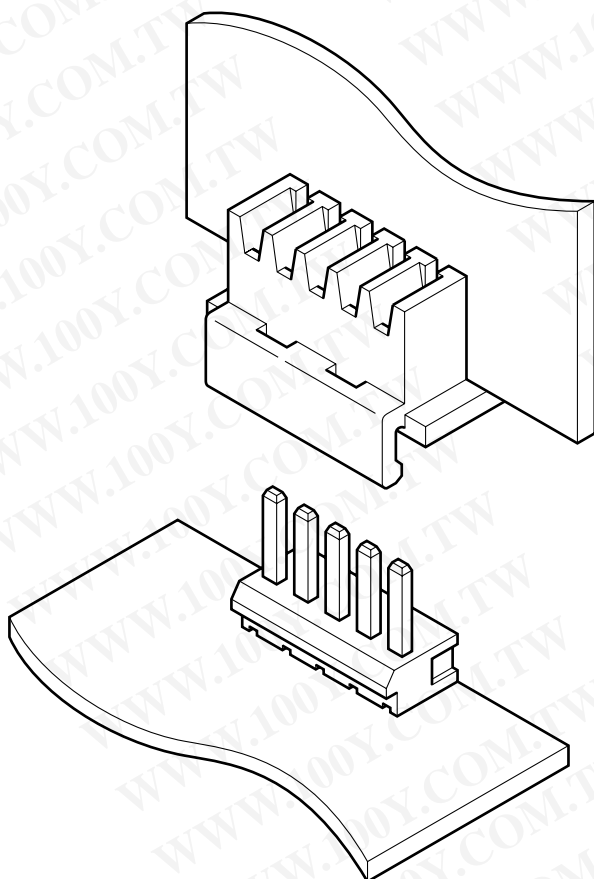


HVQ CONNECTOR

Board-to-board connectors



This 2.5mm (.098") pitch connector is used to interconnect printed circuit boards in parallel, vertically or horizontally.



Features

• Superior folded beam construction

- (1) This sturdy construction withstands repeated stress, resists permanent deformation, and offers a very long service life.
- (2) This contact design has a large tolerance for variations in mating post thickness and resists deformation when pried.

• Whisker prevention

The header post is copper-undercoated and tin/lead-plated to prevent whiskers from being generated and to provide good solderability.

• Wide, sturdy post

The post has a large cross-sectional area to resist prying during insertion into printed circuit boards and mating with connector housings.

• Molded-in header

The posts are molded into the insulator to provide stability when mounted on printed circuit boards. This also prevents flux from entering the connector during soldering.

勝特力材料 886-3-5753170
勝特力电子(上海) 86-21-34970699
勝特力电子(深圳) 86-755-83298787
[Http://www.100y.com.tw](http://www.100y.com.tw)

Specifications

- Current rating: 3A AC, DC
- Voltage rating: 250V AC, DC
- Temperature range: -25°C to +85°C
(including temperature rise in applying electrical current)
- Contact resistance: Initial value/10m Ω max.
After environmental testing/20m Ω max.
- Insulation resistance: 500M Ω min.
- Withstanding voltage: 1,500V AC/minute
- Applicable PC board thickness: 1.6mm(.063")
- * Contact JST if Lead-Free product is required.
- * Refer to "General Instruction and Notice when using Terminals and Connectors" at the end of this catalog.
- * Contact JST for details.

Standards

Ⓡ Recognized E60389

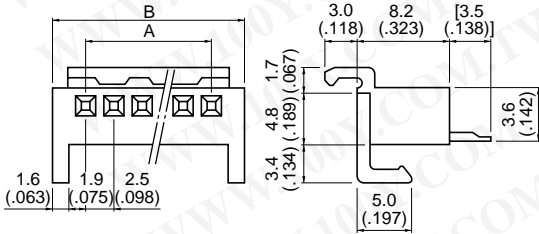
Ⓢ Certified LR20812

勝特力材料 886-3-5753170
 勝特力电子(上海) 86-21-34970699
 勝特力电子(深圳) 86-755-83298787
[Http://www.100y.com.tw](http://www.100y.com.tw)

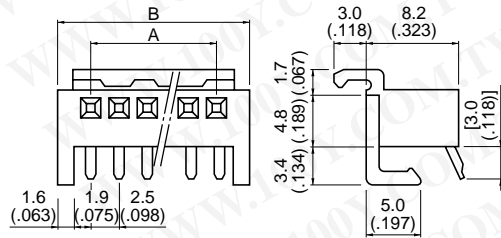
HVQ CONNECTOR

Receptacle

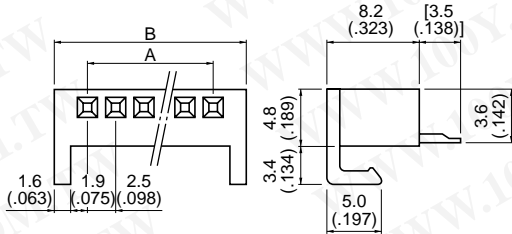
Top entry type with lock



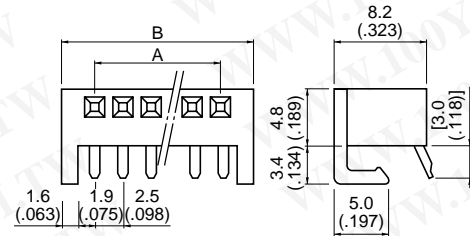
Side entry type with lock



Top entry type without lock



Side entry type without lock

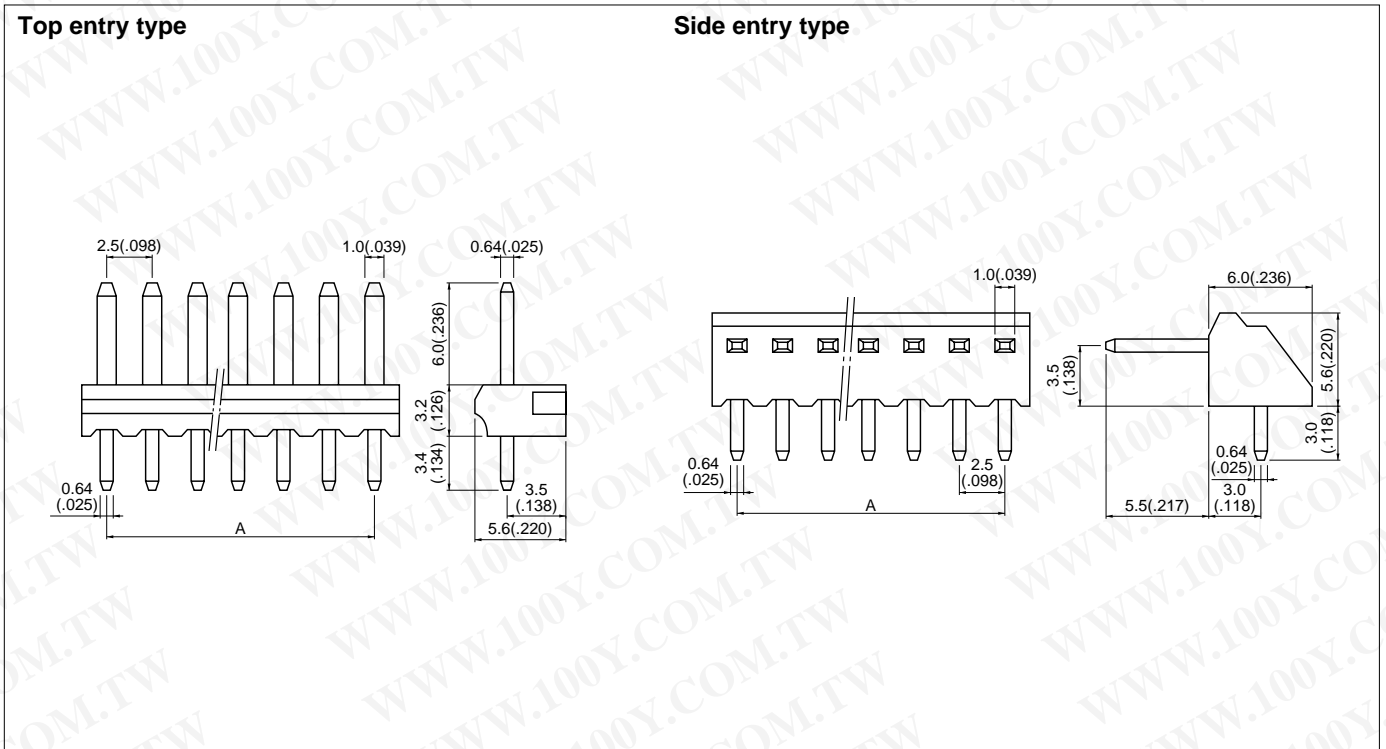


Circuits	Model No.				Dimensions mm(in.)		Q'ty / box	
	Top entry type		Side entry type		A	B	With lock	Without lock
	With lock	Without lock	With lock	Without lock				
3	-	F 3P-HVQ	-	F 3P-SHVQ	5.0 (.197)	12.0 (.472)	-	500
4	-	F 4P-HVQ	-	F 4P-SHVQ	7.5 (.295)	14.5 (.571)	-	500
5	5P-HVQ	F 5P-HVQ	5P-SHVQ	F 5P-SHVQ	10.0 (.394)	17.0 (.669)	250	250
6	6P-HVQ	F 6P-HVQ	6P-SHVQ	F 6P-SHVQ	12.5 (.492)	19.5 (.768)	250	250
7	7P-HVQ	F 7P-HVQ	7P-SHVQ	F 7P-SHVQ	15.0 (.591)	22.0 (.866)	200	250
8	8P-HVQ	F 8P-HVQ	8P-SHVQ	F 8P-SHVQ	17.5 (.689)	24.5 (.965)	200	200
9	9P-HVQ	F 9P-HVQ	9P-SHVQ	F 9P-SHVQ	20.0 (.787)	27.0(1.063)	200	200
10	10P-HVQ	F10P-HVQ	10P-SHVQ	F10P-SHVQ	22.5 (.886)	29.5(1.161)	100	200
11	11P-HVQ	F11P-HVQ	11P-SHVQ	F11P-SHVQ	25.0 (.984)	32.0(1.260)	100	150
12	12P-HVQ	F12P-HVQ	12P-SHVQ	F12P-SHVQ	27.5(1.083)	34.5(1.358)	100	150
13	-	F13P-HVQ	-	F13P-SHVQ	30.0(1.181)	37.0(1.457)	-	100
14	-	F14P-HVQ	-	F14P-SHVQ	32.5(1.280)	39.5(1.555)	-	100
15	-	F15P-HVQ	-	F15P-SHVQ	35.0(1.378)	42.0(1.654)	-	100
16	-	F16P-HVQ	-	F16P-SHVQ	37.5(1.476)	44.5(1.752)	-	100
17	-	F17P-HVQ	-	F17P-SHVQ	40.0(1.575)	47.0(1.850)	-	100
18	-	F18P-HVQ	-	F18P-SHVQ	42.5(1.673)	49.5(1.949)	-	100
19	-	F19P-HVQ	-	F19P-SHVQ	45.0(1.772)	52.0(2.047)	-	100
20	-	F20P-HVQ	-	F20P-SHVQ	47.5(1.870)	54.5(2.146)	-	100
21	-	F21P-HVQ	-	F21P-SHVQ	50.0(1.969)	57.0(2.244)	-	100
22	-	F22P-HVQ	-	F22P-SHVQ	52.5(2.067)	59.5(2.343)	-	100
23	-	F23P-HVQ	-	F23P-SHVQ	55.0(2.165)	62.0(2.441)	-	100
24	-	F24P-HVQ	-	F24P-SHVQ	57.5(2.264)	64.5(2.539)	-	100
25	-	F25P-HVQ	-	F25P-SHVQ	60.0(2.362)	67.0(2.638)	-	100

Material and Finish

Contact: Brass, tin-plated
 Housing: Nylon 66, UL94V-2, natural

Shrouded header



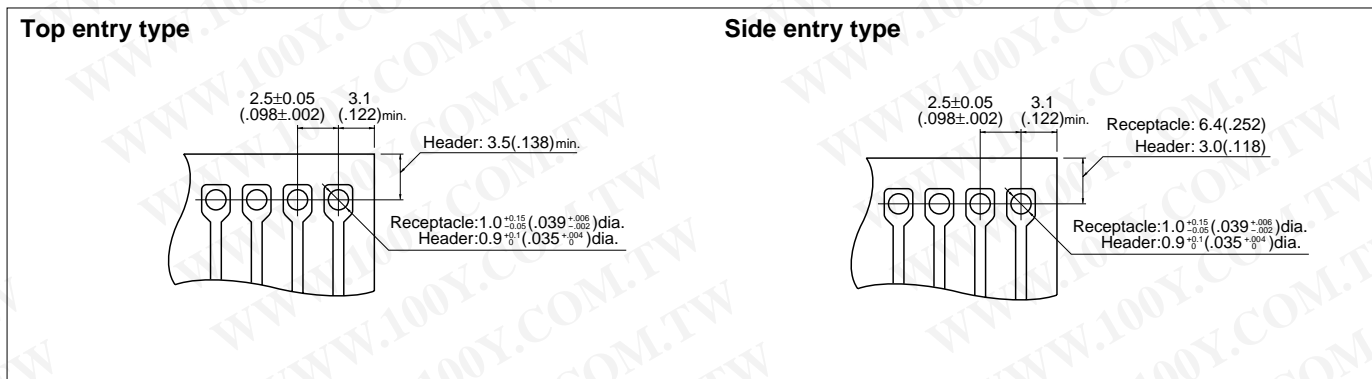
Circuits	Model No.		Dimensions A mm(in.)	Q'ty / box	
	Top entry type	Side entry type		Top entry type	Side entry type
3	B 3P-SHF-1AA	BS 3P-SHF-1AA	5.0 (.197)	1,000	1,000
4	B 4P-SHF-1AA	BS 4P-SHF-1AA	7.5 (.295)	1,000	1,000
5	B 5P-SHF-1AA	BS 5P-SHF-1AA	10.0 (.394)	1,000	1,000
6	B 6P-SHF-1AA	BS 6P-SHF-1AA	12.5 (.492)	1,000	1,000
7	B 7P-SHF-1AA	BS 7P-SHF-1AA	15.0 (.591)	500	500
8	B 8P-SHF-1AA	BS 8P-SHF-1AA	17.5 (.689)	500	500
9	B 9P-SHF-1AA	BS 9P-SHF-1AA	20.0 (.787)	500	500
10	B10P-SHF-1AA	BS10P-SHF-1AA	22.5 (.886)	500	500
11	B11P-SHF-1AA	BS11P-SHF-1AA	25.0 (.984)	500	500
12	B12P-SHF-1AA	BS12P-SHF-1AA	27.5(1.083)	250	200
13	B13P-SHF-1AA	BS13P-SHF-1AA	30.0(1.181)	250	200
14	B14P-SHF-1AA	BS14P-SHF-1AA	32.5(1.280)	250	200
15	B15P-SHF-1AA	BS15P-SHF-1AA	35.0(1.378)	250	200
16	B16P-SHF-1AA	BS16P-SHF-1AA	37.5(1.476)	250	200
17	B17P-SHF-1AA	BS17P-SHF-1AA	40.0(1.575)	250	200
18	B18P-SHF-1AA	BS18P-SHF-1AA	42.5(1.673)	250	200
19	B19P-SHF-1AA	BS19P-SHF-1AA	45.0(1.772)	250	200
20	B20P-SHF-1AA	BS20P-SHF-1AA	47.5(1.870)	250	200
21	B21P-SHF-1AA	BS21P-SHF-1AA	50.0(1.969)	250	200
22	B22P-SHF-1AA	BS22P-SHF-1AA	52.5(2.067)	250	200
23	B23P-SHF-1AA	BS23P-SHF-1AA	55.0(2.165)	250	200
24	B24P-SHF-1AA	BS24P-SHF-1AA	57.5(2.264)	250	200
25	B25P-SHF-1AA	BS25P-SHF-1AA	60.0(2.362)	250	200

Material and Finish

Post: Brass copper-undercoated, tin/lead-plated
 Base: Nylon 66, UL94V-0, natural

HVQ CONNECTOR

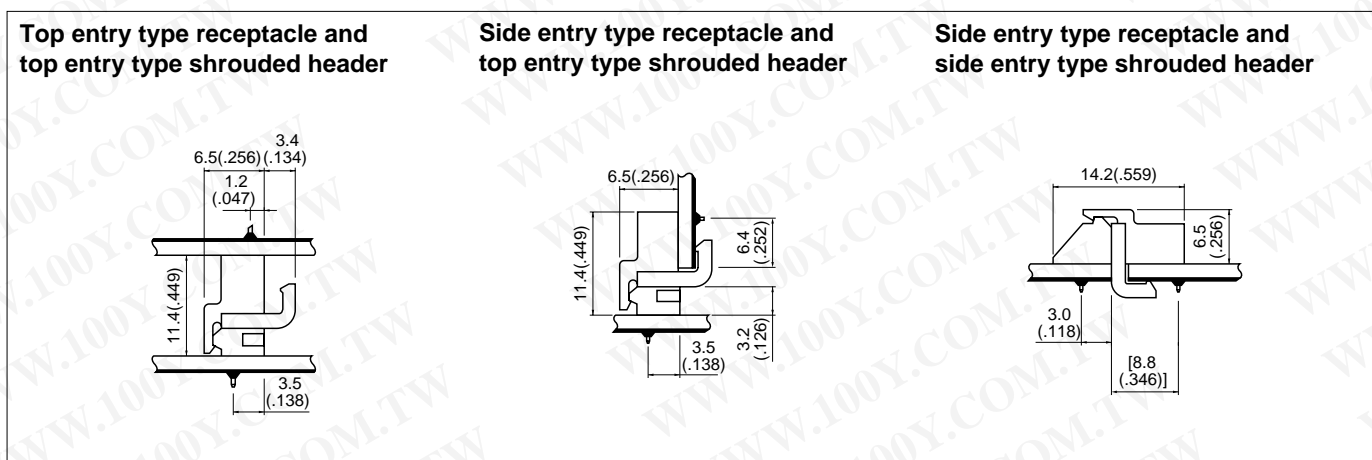
PC board layout (viewed from soldering side)



Note:

1. Tolerances are non-cumulative: ±0.05mm(±.002") for all centers.
2. Hole dimensions differ according to the kind of PC board and piercing method. The dimensions above should serve as a guideline. Contact JST for details.

Assembly layout



勝特力材料 886-3-5753170
 勝特力电子(上海) 86-21-34970699
 勝特力电子(深圳) 86-755-83298787
[Http://www.100y.com.tw](http://www.100y.com.tw)