

● MATERIALS: (RoHS Compliant)

- Housing: Plastic Thermoplastic
LCP UL94V-0 Black
- Contacts: Phosphor Bronze Gold
Selective Plated
- Front Shell: Steel Nickel Plated
Over Copper
- Bracket: Zinc Alloy Nickel Plated
Over Copper

● ELECTRICAL CHARACTERISTICS:

- Contact Current Rating: 0.5 Amp
- Dielectric Withstanding Voltage: 500V AC
- Insulation Resistance: >500MΩ/Min
- Contact Resistance: 35mΩ/Max
- Operation Temperature: -55°C ~ +85°C

MDD 68 M S 1 3 B2

NO.OF CONTACT: _____

68 Pos

CONTACT TYPE: _____

M= Male

BRACKET FINISHES: _____

S= Screw Bracket

THREADED FINISHES: _____

1= #2-56

2= #4-40

3= M2.6

CONTACT FINISHES: _____

1= Gold Flash Selective Plating

3= 5u" Gold Selective Plating

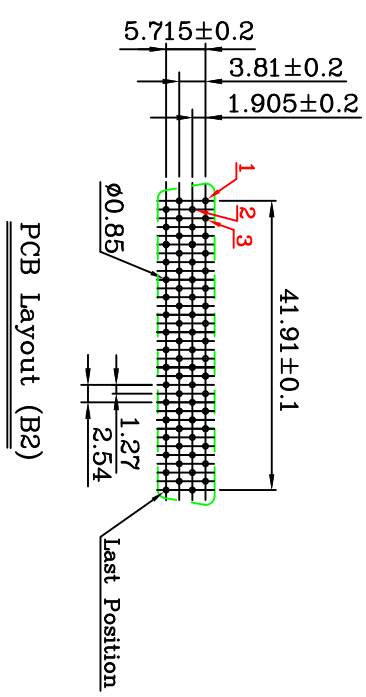
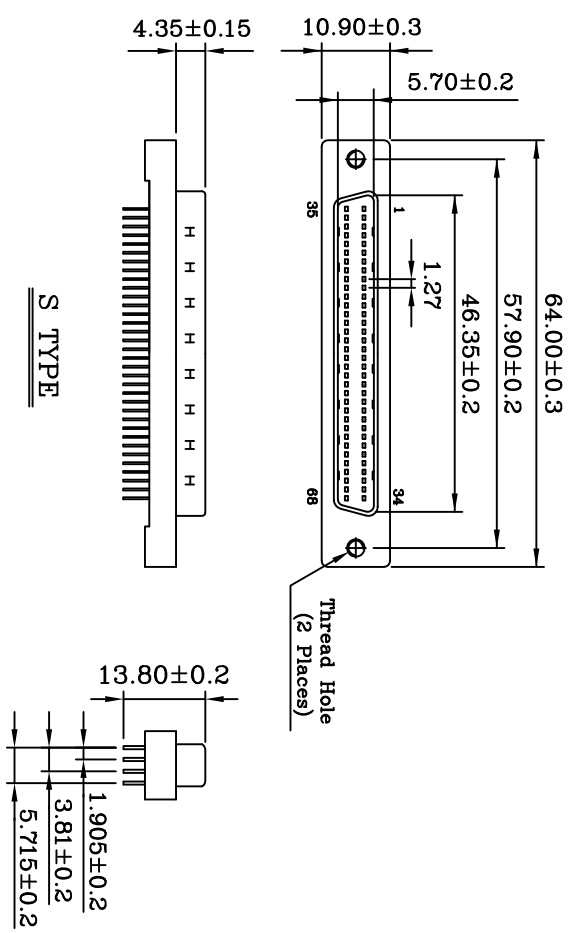
5= 15u" Gold Selective Plating

7= 30u" Gold Selective Plating

PCB LAYOUT: _____

B = Standard (1-2)

B2= Reverse (1-1)



NO.		DATE		MODIFICATION	
P/N:		MDD68MXXXB		DESCRIPTION:	
1.27mm (.050") Pin Type 68Pos		Plug Headers Vertical		Mount Type	
PART NO:		DESIGN BY:		DATE:	
CHECKED BY:		DESIGN BY:		DATE:	
APPROVED BY:		DATE:		SCALE: X:1	
DRAWN BY:		DATE:		DRAWING NO: MDD68MXXXB	
ALEX 2009.03.01		VERSION: A		mm	

勝特力材料 886-3-5753170
 勝特力电子(上海) 86-21-34970699
 勝特力电子(深圳) 86-755-83298787
[Http://www.100y.com.tw](http://www.100y.com.tw)