

# 1.27 mm Pitch



## Connectors

# PCS series

## 1.27 mm Pitch Connectors

勝特力材料 886-3-5753170  
勝特力电子(上海) 86-21-34970699  
勝特力电子(深圳) 86-755-83298787  
[Http://www.100y.com.tw](http://www.100y.com.tw)

### Outline

PCS series provides various 1.27 mm pitch smaller-sized high density interface connectors specifically designed for downsized electronic equipment.

### Features

- 20 - 96 contacts for board-to-cable connectors
- Results in substantial labor saving; IDC type connection is standard for cables. (AWG #28 or #30)
- Soldering type connectors available
- EMI-filtered design to meet FCC and other standards
- Backshell has a robust interface structure.
- Quick locking with metal latch
- Panel-to-cable connectors available
- Accessory is available for preventing connector misinsertion.
- 34 - 150 contacts for board-to-cable connectors.
- Even with many contacts, connectors can be easily inserted or extracted due to a low insertion force design.
- Drainage structure ensures cleaning solution does not remain in the housing during flux removal. (For molded type male connectors)

### Principal Applications

Office automation equipment, instrumentation equipment, communications equipment, factory automation, etc.

### Electrical Characteristics

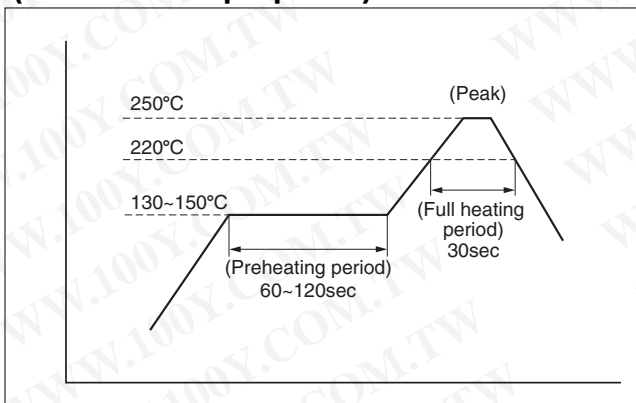
Rated voltage	250V AC (r.m.s.)
Rated current	1 A
Insulation resistance	Over 1000 megohms at 100V DC
Dielectric withstanding voltage	750V AC (r.m.s.) for PCS series 500V AC (r.m.s.) for PCS-XE series
Contact resistance	35 milliohms or less (not applicable to some products)

#### Document Disclaimer

- When placing orders with us, minimum order quantities are set for every product.
- Be sure to contact us before starting preliminary design of PCBs using our connectors.
- The specifications and information shown in the catalog are subject to change without notice.

勝特力材料 886-3-5753170  
 勝特力电子(上海) 86-21-34970699  
 勝特力电子(深圳) 86-755-83298787  
[Http://www.100y.com.tw](http://www.100y.com.tw)

### Reflow temperature profile (for reference purposes)

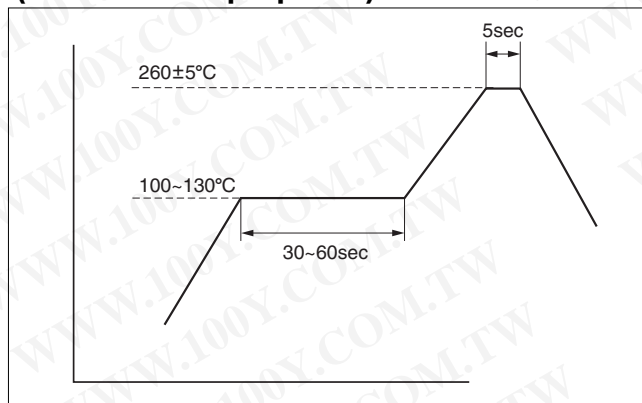


The reflow temperature profile shown in this drawing is for reference purposes. This profile depends on requirements such as reflow equipment, soldering paste, and PCB size. Thus, this profile may not meet with your specific situation. Please evaluate your PCB-mounting soldering and set your own reflow temperature profile.

#### ●Applicable products

PCS-XE( )SLFYTU( )+

### Flow temperature profile (for reference purposes)



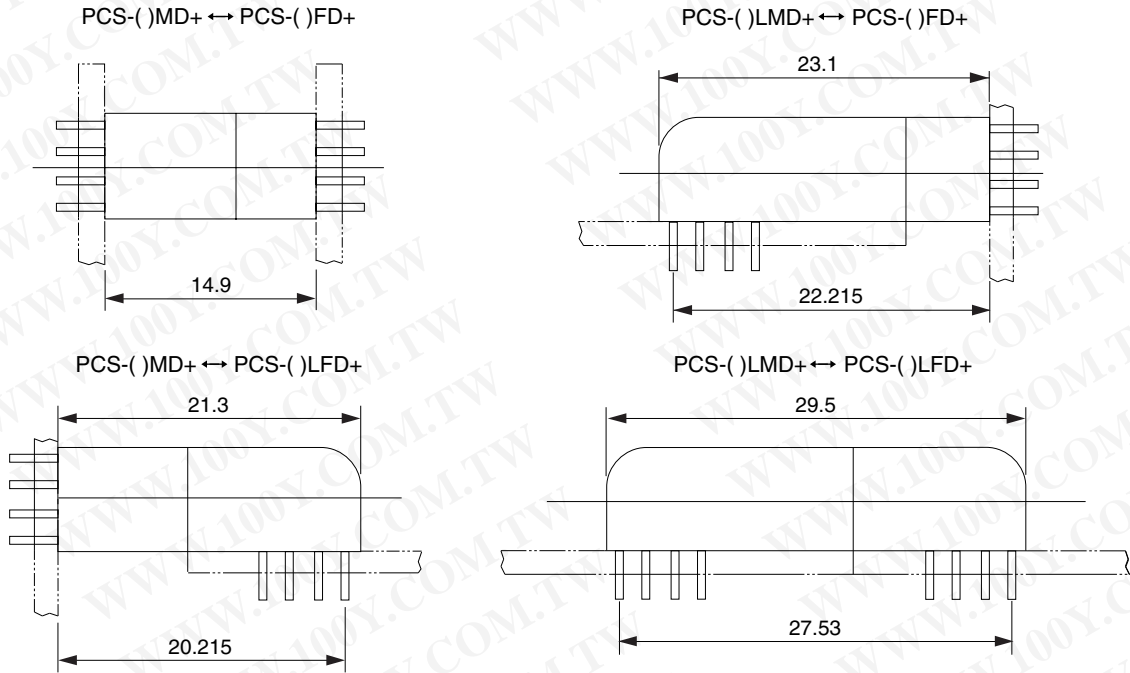
The flow temperature profile as shown above is for reference purposes. This profile depends on requirements such as the PCB size. Thus, this profile may not meet with your specific situation. Please evaluate your PCB-mounting soldering and set your own flow temperature profile.

#### ●Applicable products

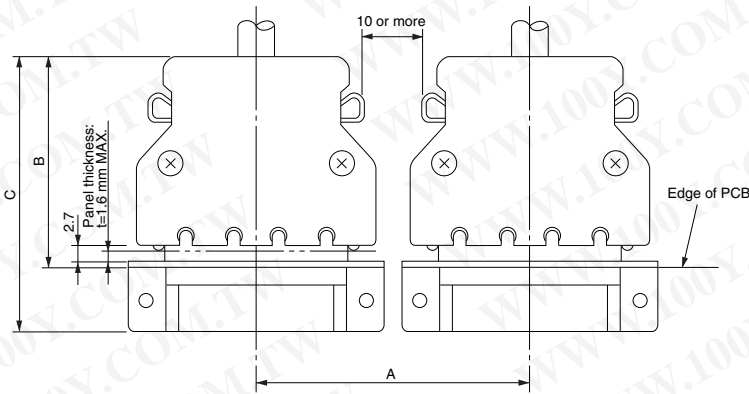
PCS series through hole type connector

## Dimensions of connector mounting for reference purposes

### Board-to-board connector dimensions for reference purposes



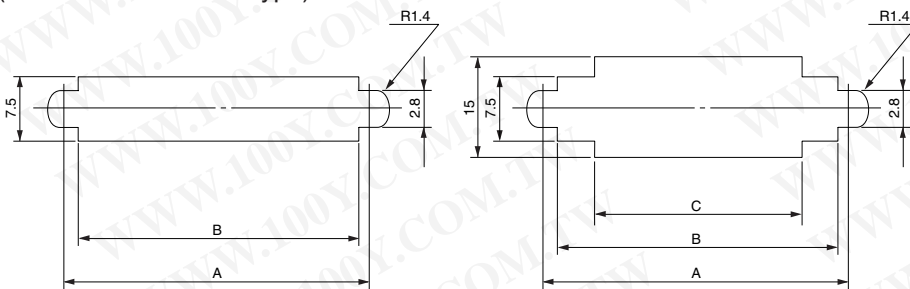
### Board-to-cable connector dimensions for reference purposes (In the case of spring-locked type)



Number of contacts	A	B	C
20	35 or more	35.5 or more	46.2 or more
28	40 or more		
36	45.1 or more		
50	54 or more		
68	65.4 or more		
80	73 or more	40.5 or more	51.2 or more
96	83.2 or more		

## Panel mounting-hole dimensions for reference purposes

(In the case of PCS-E type)



Number of contacts	A	B	C
20	27.4	23.7	11.3
28	32.5	28.8	16.3
36	37.6	33.9	20.3
50	46.5	42.8	30.3
68	57.9	54.2	40.3
80	65.5	61.8	50.3
96	75.69	72.0	—

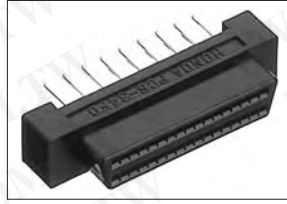
勝特力材料 886-3-5753170  
 勝特力电子(上海) 86-21-34970699  
 勝特力电子(深圳) 86-755-83298787  
[Http://www.100y.com.tw](http://www.100y.com.tw)

## Product List



Straight through hole type male connector for PCB  
PCS-( )MD+

**B-10**  
PCS series...8



Straight through hole type female connector for PCB  
PCS-( )FD+

**B-11**  
PCS series...9



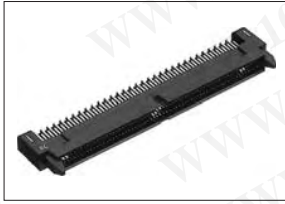
Right-angle through hole type male connector for PCB  
PCS-( )LMD+

**B-12**  
PCS series...10



Right-angle through hole type female connector for PCB  
PCS-( )LFD+

**B-13**  
PCS series...11



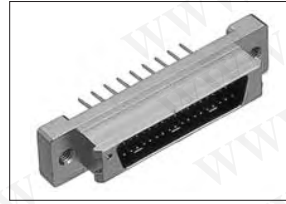
Right-angle through hole type male connector for PCB  
PCS-128LMDT-GP+

**B-14**  
PCS series...12



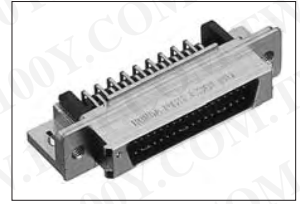
Right-angle through hole type female connector for PCB  
PCS-128LFDT-GP+

**B-15**  
PCS series...13



Straight through hole type male connector for PCB  
PCS-E( )MD+

**B-16**  
PCS series...14



Right-angle through hole type female connector for PCB  
PCS-E( )LMD+

**B-17**  
PCS series...15



IDC type female connector for cable  
PCS-E( )F( )

**B-18**  
PCS series...16



Soldering type female connector for cable  
PCS-E( )FS+

**B-19**  
PCS series...17



IDC type male connector for panel  
PCS-E( )PM( )-( )

**B-20**  
PCS series...18



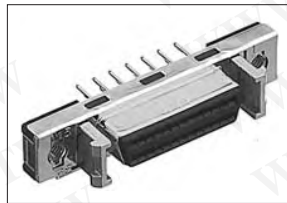
IDC type male connector for cable  
PCS-D( )MA1( )+

**B-21**  
PCS series...19



IDC type female connector for cable  
PCS-D68( )FA1( )+

**B-22**  
PCS series...20



Straight through hole type female connector for PCB  
PCS-XE( )SFD( )-( )+

**B-23**  
PCS series...21



Straight through hole type female connector for PCB  
PCS-XE( )SFD( )N( )+

**B-24**  
PCS series...22



Right-angle through hole type female connector for PCB  
PCS-XE( )LFD( )-( )+

**B-25**  
PCS series...23



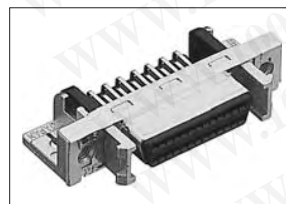
Right-angle through hole type female connector for PCB  
PCS-XE68LFD( )N( )+

**B-26**  
PCS series...24



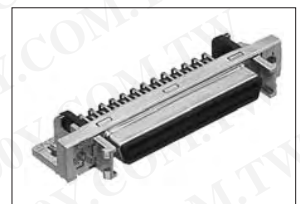
Right-angle through hole type female connector for PCB  
PCS-XE100LFD( )-( )+

**B-27**  
PCS series...25



Right-angle through hole type female connector for PCB  
PCS-XE( )SLFD( )-( )+

**B-28**  
PCS series...26



Right-angle through hole type female connector for PCB  
PCS-XE( )SLFD( )-( )+

**B-29**  
PCS series...27

勝特力材料 86-3-5753170  
勝特力电子(上海) 86-21-34970699  
勝特力电子(深圳) 86-755-83298787  
[Http://www.100y.com.tw](http://www.100y.com.tw)



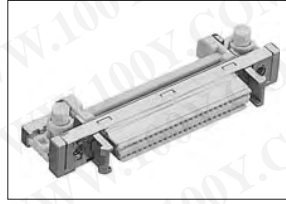
Right-angle through hole type female connector for PCB  
 PCS-XE( )SLFD( )N( )+

**B-30**  
 PCS series...28



Right-angle through hole type female connector for PCB  
 PCS-XE( )SLFDT( )N( )+

**B-31**  
 PCS series...29



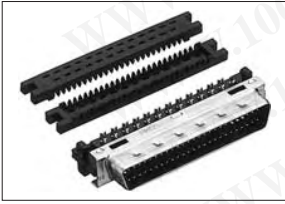
Right-angle SMT type female connector for PCB  
 PCS-XE( )SLFYTU( )+

**B-32**  
 PCS series...30



Straight Press-in type female connector for PCB  
 PCS-XE50SFP( ) ( )

**B-33**  
 PCS series...31



IDC type male connector for cable  
 PCS-XE( )M( ) ( )+

**B-34**  
 PCS series...32



IDC type female connector for panel  
 PCS-XE( )SPF( )1UN( )

**B-36**  
 PCS series...34



IDC type female connector for panel  
 PCS-XE( )SPF( ) ( ) ( )

**B-37**  
 PCS series...35



IDC type female connector for panel  
 PCS-XED( ) ( )FA( ) ( )+

**B-38**  
 PCS series...36



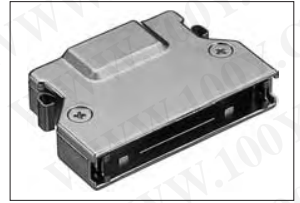
IDC type female connector for panel  
 PCS-XED68( )FAUN( )+

**B-39**  
 PCS series...37



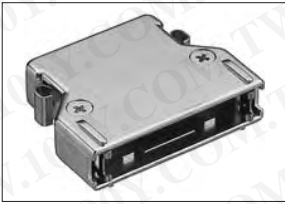
EMI-filtered vertical type die-cast material backshell for standard cable  
 PCS-E( )L( )

**B-40**  
 PCS series...38



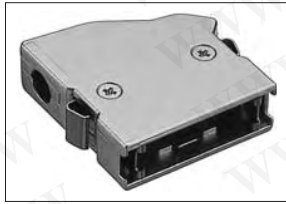
Vertical type die-cast material backshell for larger diameter cable  
 PCS-E( )LK

**B-41**  
 PCS series...39



Mating guide structure vertical type die-cast material backshell for standard cable  
 PCS-E( )LG( )

**B-42**  
 PCS series...40



Horizontal type die-cast material backshell for standard cable  
 PCS-E( )W

**B-43**  
 PCS series...41



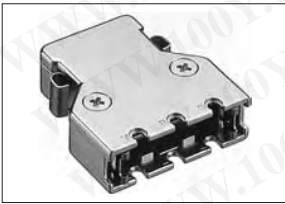
Vertical type plastic backshell for flat cable  
 PCS-E( )LT+

**B-44**  
 PCS series...42



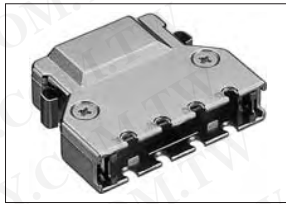
Vertical type die-cast material backshell for cable extension  
 PCS-E( )PML( )

**B-45**  
 PCS series...43



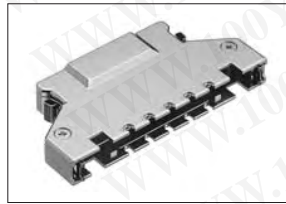
Vertical type die-cast material backshell for standard cable with provision for preventing misinsertion  
 PCS-E( )LP( )-( )+R

**B-46**  
 PCS series...44



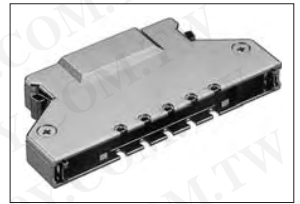
Vertical type die-cast material backshell for larger diameter cable with provision for preventing misinsertion  
 PCS-E( )LKP( )-( )+R

**B-47**  
 PCS series...45



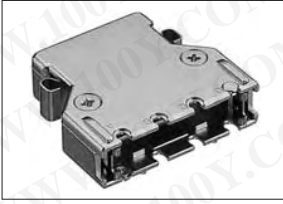
Vertical type die-cast material backshell for larger diameter cable with mating guide for preventing misinsertion  
 PCS-E96LKP( )-( )+R

**B-48**  
 PCS series...46



Vertical type die-cast material backshell for larger diameter cable with provision for preventing misinsertion  
 PCS-E96LKP1A-( )+R

**B-49**  
 PCS series...47



Vertical type die-cast material backshell  
 for standard cable with mating guide  
 for preventing misinsertion  
 PCS-E( )LGP( )-( )+R  
**B-50**  
 PCS series...48



Horizontal type die-cast material backshell  
 for standard cable with provision  
 for preventing misinsertion  
 PCS-E( )WSP( )-( )+R  
**B-51**  
 PCS series...49



Horizontal type die-cast material backshell  
 for larger diameter cable with provision  
 for preventing misinsertion  
 PCS-E( )WKP( )-( )+R  
**B-52**  
 PCS series...50



Horizontal type die-cast material backshell  
 for larger diameter cable with provision  
 for preventing misinsertion  
 PCS-E96WKP( )-( )+R  
**B-53**  
 PCS series...51



Vertical type die-cast material backshell  
 for flat cable with provision  
 for preventing misinsertion  
 PCS-E( )LTP( )-( )+R  
**B-54**  
 PCS series...52



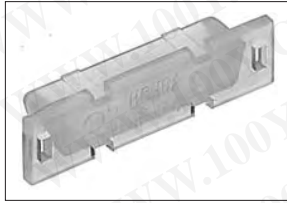
Vertical type  
 die-cast material backshell  
 for larger diameter cable  
 PCS-E68LKAU2N  
**B-55**  
 PCS series...53



Vertical type  
 over-molded backshell  
 PCS-XEM( )DL( ) ( )N  
**B-56**  
 PCS series...54



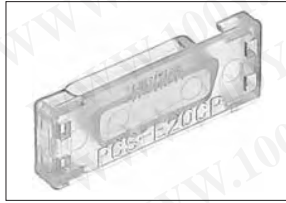
Vertical type  
 over-molded backshell  
 PCS-XEM100L( ) ( )  
**B-57**  
 PCS series...55



Dust-proof cap  
 PCS-68C  
**B-59**  
 PCS series...57



Dust-proof cap  
 PCS-E( )C( )  
**B-60**  
 PCS series...58



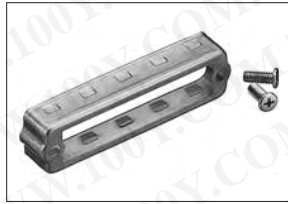
Dust-proof cap  
 PCS-E( )CP( )  
**B-61**  
 PCS series...59



1.6 mm panel-thickness mating  
 guide  
 PCS-E( )G  
**B-62**  
 PCS series...60



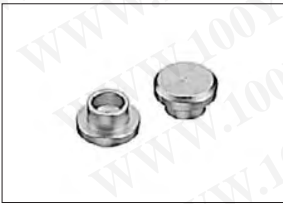
1.0 mm panel-thickness mating  
 guide  
 PCS-E( )G1  
**B-63**  
 PCS series...61



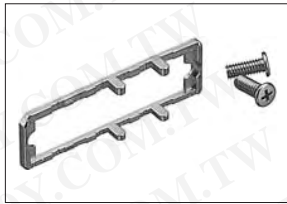
Metallic mating guide  
 PCS-E( )G3( )  
**B-64**  
 PCS series...62



Metallic mating guide  
 with provision  
 for preventing misinsertion  
 PCS-E( )G4( )  
**B-65**  
 PCS series...63



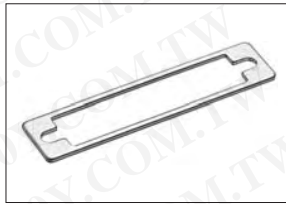
Key rivet for preventing  
 misinsertion  
 PCS-E-PK+R  
**B-66**  
 PCS series...64



Misinsertion prevention guide  
 PCS-E( )PG-( )  
**B-67**  
 PCS series...65



Misinsertion prevention guide  
 PCS-E96PG-( )  
**B-68**  
 PCS series...66



Spacer hardware for male  
 connector  
 PCS-E( )M-SP  
**B-69**  
 PCS series...67



Screw lock  
PCS-XE50SJ( )U2

**B-70**  
PCS series...68



Plug-in type terminator  
PCS-68FTH014X+

**B-71**  
PCS series...69

勝特力材料 886-3-5753170  
勝特力电子(上海) 86-21-34970699  
勝特力电子(深圳) 86-755-83298787  
[Http://www.100y.com.tw](http://www.100y.com.tw)

**Straight through hole type male connector for PCB**  
**PCS-( )MD+**

RoHS

**1.27 mm pitch connector**

**For PCB**

**Straight Through hole**



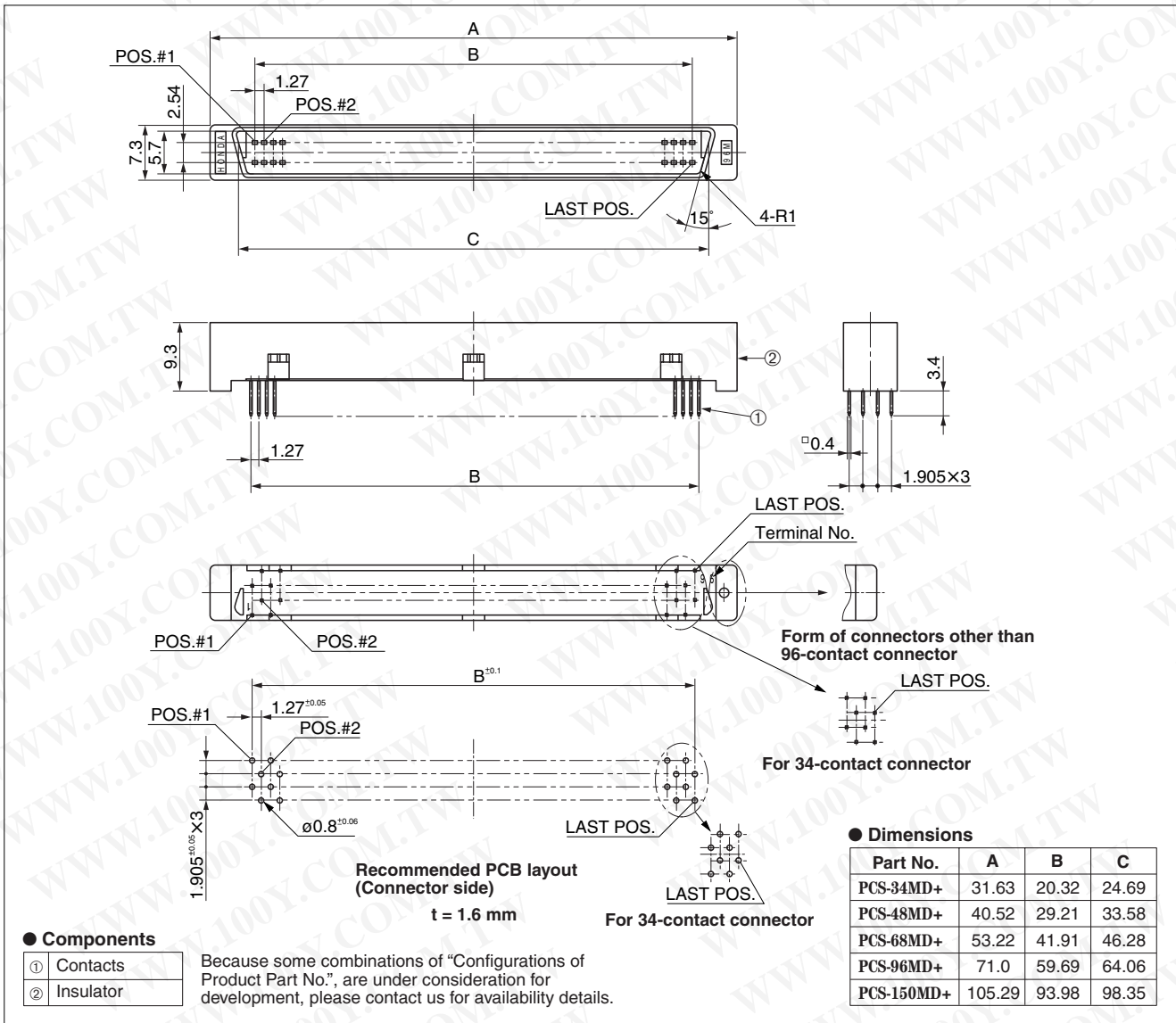
● Configuration of product Part No.

**PCS- ( ) MD+**

- ①
- ②
- ③

- ① Series name
- ② No. of contacts: 34, 48, 68, 96 or 150
- ③ Type of connector  
MD: Straight through hole type, male

勝特力材料 886-3-5753170  
 勝特力电子(上海) 86-21-34970699  
 勝特力电子(深圳) 86-755-83298787  
[Http://www.100y.com.tw](http://www.100y.com.tw)



**Mating connectors:** PCS series PCB-side through hole type female connector

**Accessories:** Dust-proof cap, PCS-( )C

- Through hole
- SMT
- Press-in
- IDC
- Soldering
- Crimping
- Wire wrapping
- Others

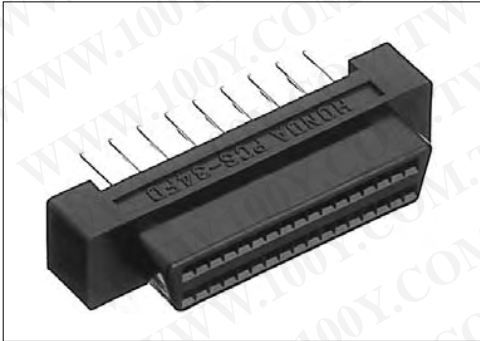
# Straight through hole type female connector for PCB PCS-( )FD+

RoHS

1.27 mm pitch connector

For PCB

Straight Through hole



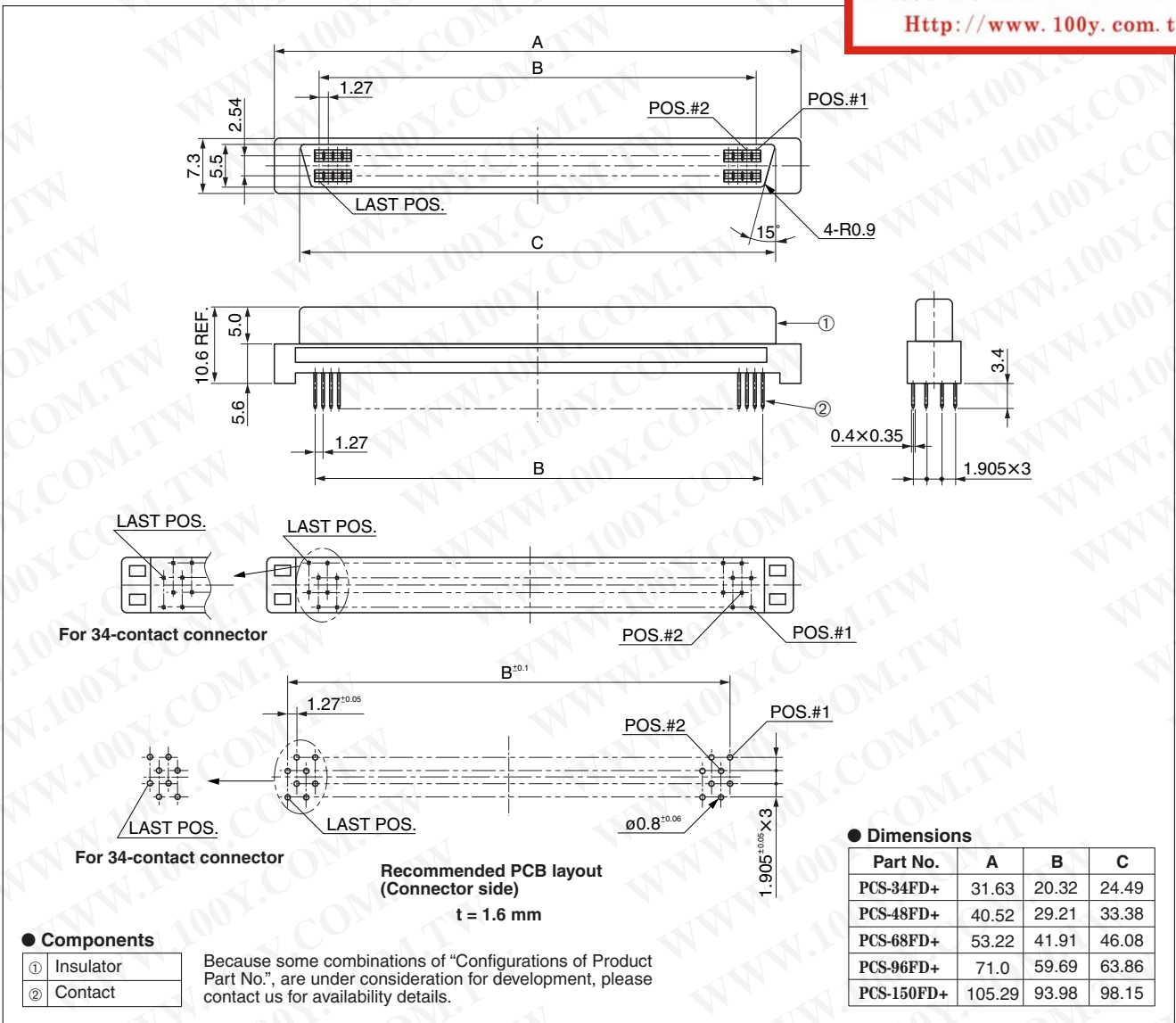
● Configuration of product Part No.

## PCS-( ) FD+

① ② ③

- ① Series name
- ② No. of contacts: 34, 48, 68, 96 or 150
- ③ Type of connector  
FD: Straight through hole type, female

勝特力材料 886-3-5753170  
 勝特力电子(上海) 86-21-34970699  
 勝特力电子(深圳) 86-755-83298787  
[Http://www.100y.com.tw](http://www.100y.com.tw)



● Dimensions

Part No.	A	B	C
PCS-34FD+	31.63	20.32	24.49
PCS-48FD+	40.52	29.21	33.38
PCS-68FD+	53.22	41.91	46.08
PCS-96FD+	71.0	59.69	63.86
PCS-150FD+	105.29	93.98	98.15

● Components

- ① Insulator
- ② Contact

Because some combinations of "Configurations of Product Part No.", are under consideration for development, please contact us for availability details.

Mating connectors: PCS series straight through hole type male connector for PCB (Stacked height: 14.9 mm)

PCS series right-angle through hole type male connector for PCB

**Right-angle through hole type male connector for PCB**  
**PCS-( )LMD+**

**1.27 mm pitch connector**

**For PCB**

**Right-angle Through hole**

RoHS



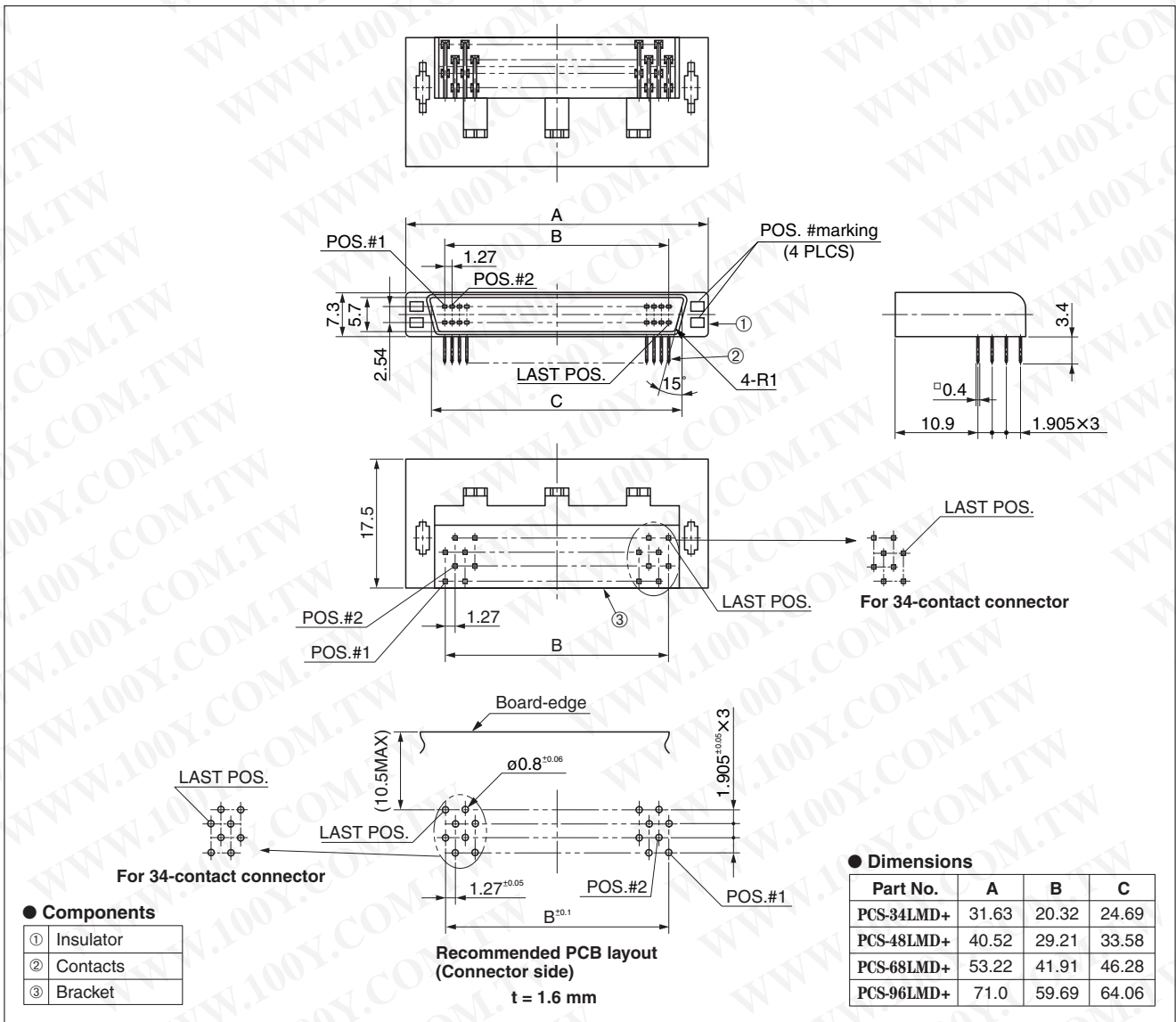
● Configuration of product Part No.

**PCS- ( ) LMD+**

① ② ③

- ① Series name
- ② No. of contacts: 34, 48, 68 or 96
- ③ Type of connector  
LMD: Right-angle through hole type, male

勝特力材料 886-3-5753170  
 勝特力电子(上海) 86-21-34970699  
 勝特力电子(深圳) 86-755-83298787  
[Http://www.100y.com.tw](http://www.100y.com.tw)



Mating connectors: PCS series straight through hole type female connector for PCB

PCS series right-angle through hole type female connector for PCB

Through hole SMT Press-in IDC Soldering Crimping Wire wrapping Others

# Right-angle through hole type female connector for PCB PCS-( )LFD+

RoHS

1.27 mm pitch connector

For PCB

Right-angle Through hole



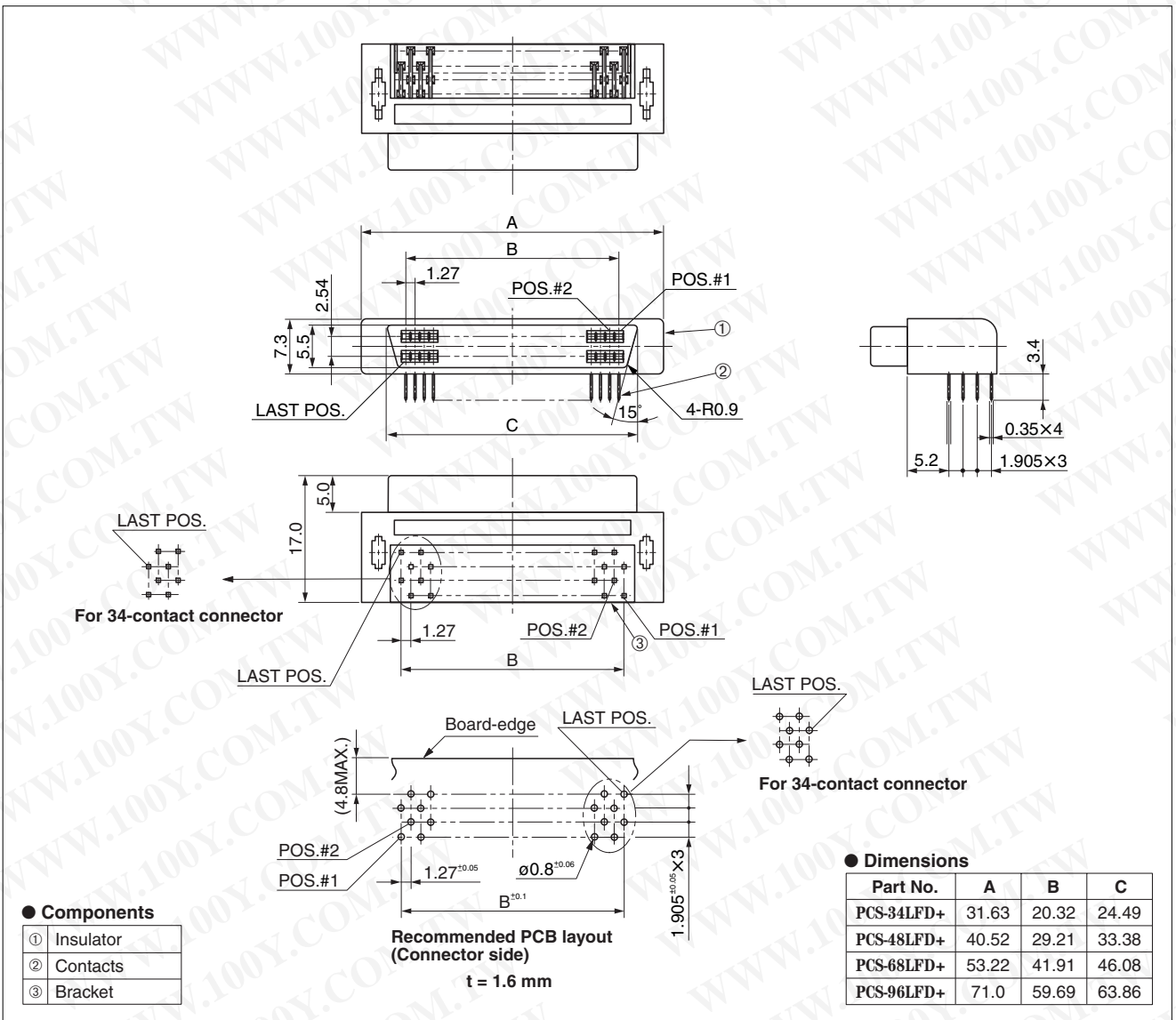
● Configuration of product Part No.

## PCS-( ) LFD+

① ② ③

- ① Series name
- ② No. of contacts: 34, 48, 68 or 96
- ③ Type of connector  
LFD: Right-angle through hole type, female

勝特力材料 886-3-5753170  
 勝特力电子(上海) 86-21-34970699  
 勝特力电子(深圳) 86-755-83298787  
[Http://www.100y.com.tw](http://www.100y.com.tw)



Mating connectors: PCS series straight through hole type male connector for PCB

PCS series right-angle through hole type male connector for PCB

**Right-angle through hole type male connector for PCB**  
**PCS-128LMDT-GP+**

**1.27 mm pitch connector**

**For PCB**

**Right-angle Through hole**

RoHS



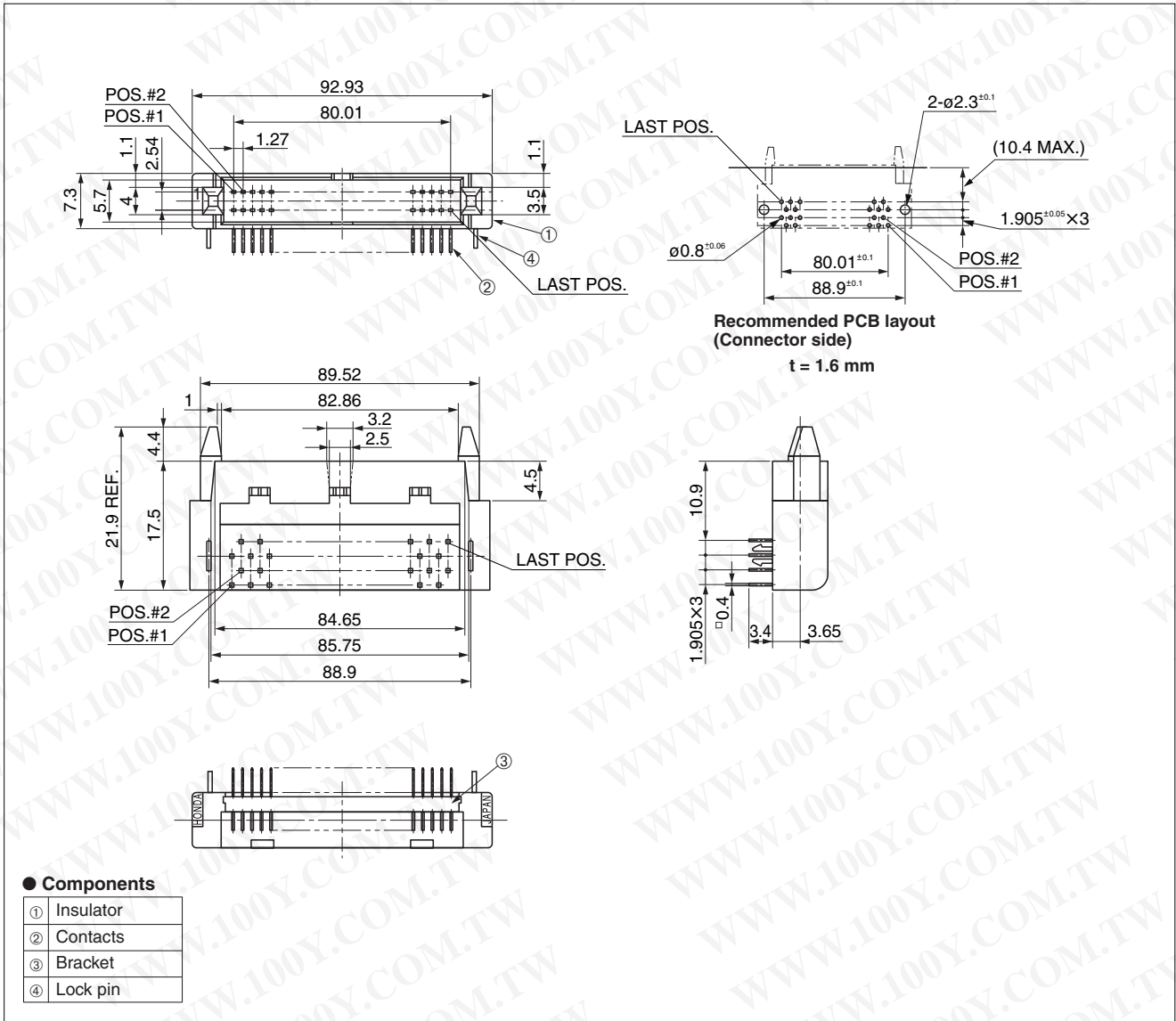
● Configuration of product Part No.

**PCS- 128 LMD T- GP+**

- ① ② ③ ④ ⑤

- ① Series name
- ② No. of contacts: 128
- ③ Type of connector  
LMD: Right-angle through hole type, male
- ④ Lock pin
- ⑤ Mating guide

勝特力材料 886-3-5753170  
 勝特力电子(上海) 86-21-34970699  
 勝特力电子(深圳) 86-755-83298787  
[Http://www.100y.com.tw](http://www.100y.com.tw)



Mating connectors: PCS-128LFDT-GP+

**Right-angle through hole type female connector for PCB**  
**PCS-128LFD T-GP+**

RoHS

1.27 mm pitch connector

For PCB

Right-angle Through hole



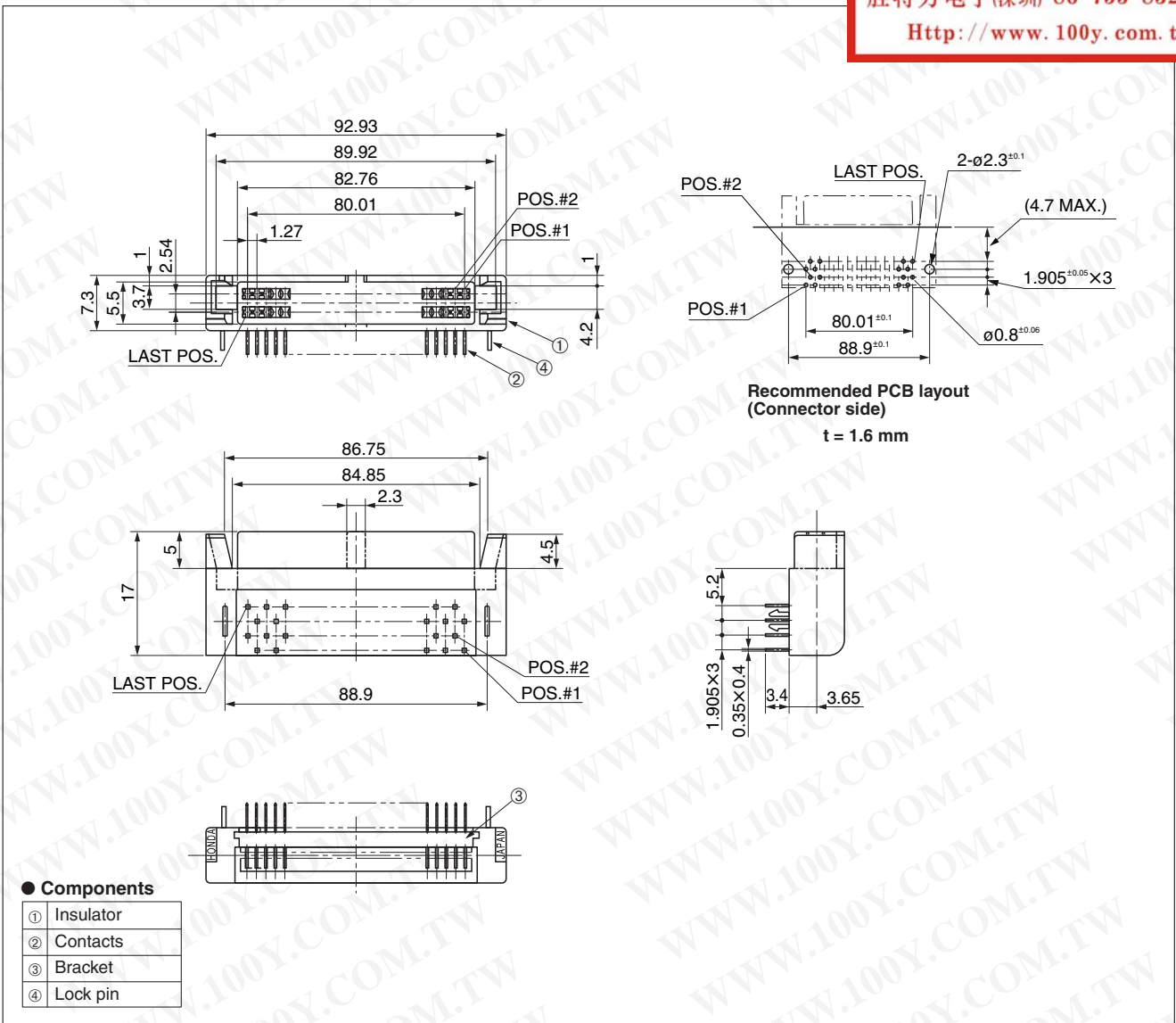
● Configuration of product Part No.

**PCS- 128 LFD T- GP+**

- ① ② ③ ④ ⑤

- ① Series name
- ② No. of contacts: 128
- ③ Type of connector  
LFD: Right-angle through hole type, female
- ④ Lock pin
- ⑤ Mating guide

勝特力材料 886-3-5753170  
 勝特力电子(上海) 86-21-34970699  
 勝特力电子(深圳) 86-755-83298787  
[Http://www.100y.com.tw](http://www.100y.com.tw)



Mating connectors: PCS-128LMDT-GP+

**Straight through hole type male connector for PCB**  
**PCS-E( )MD+**

**1.27 mm pitch connector**

**For PCB**

**Straight Through hole**

**RoHS**



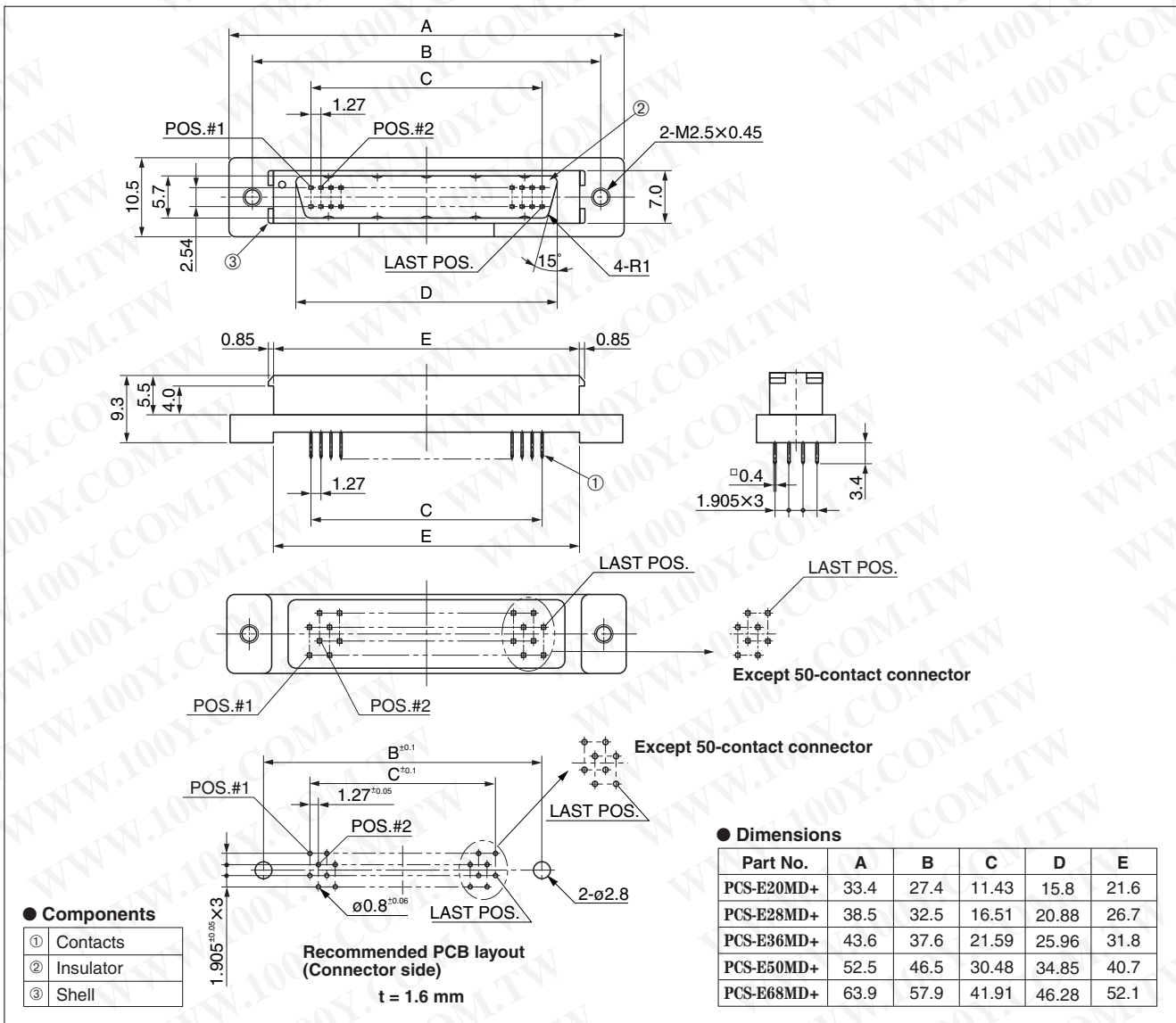
● Configuration of product Part No.

**PCS-E ( ) MD+**

① ② ③

- ① Series name
- ② No. of contacts: 20, 28, 36, 50 or 68
- ③ Type of connector  
MD: Straight through hole type, male

勝特力材料 886-3-5753170  
 勝特力电子(上海) 86-21-34970699  
 勝特力电子(深圳) 86-755-83298787  
[Http://www.100y.com.tw](http://www.100y.com.tw)



**Mating connectors:** PCS-E series cable-side IDC type female connector

PCS-E series cable-side soldering type female connector

**Accessories:** Dust-proof cap, PCS-( )C( )

Through hole SMT Press-in IDC Soldering Crimping Wire wrapping Others

Right-angle through hole type male connector for PCB  
PCS-E( )LMD+

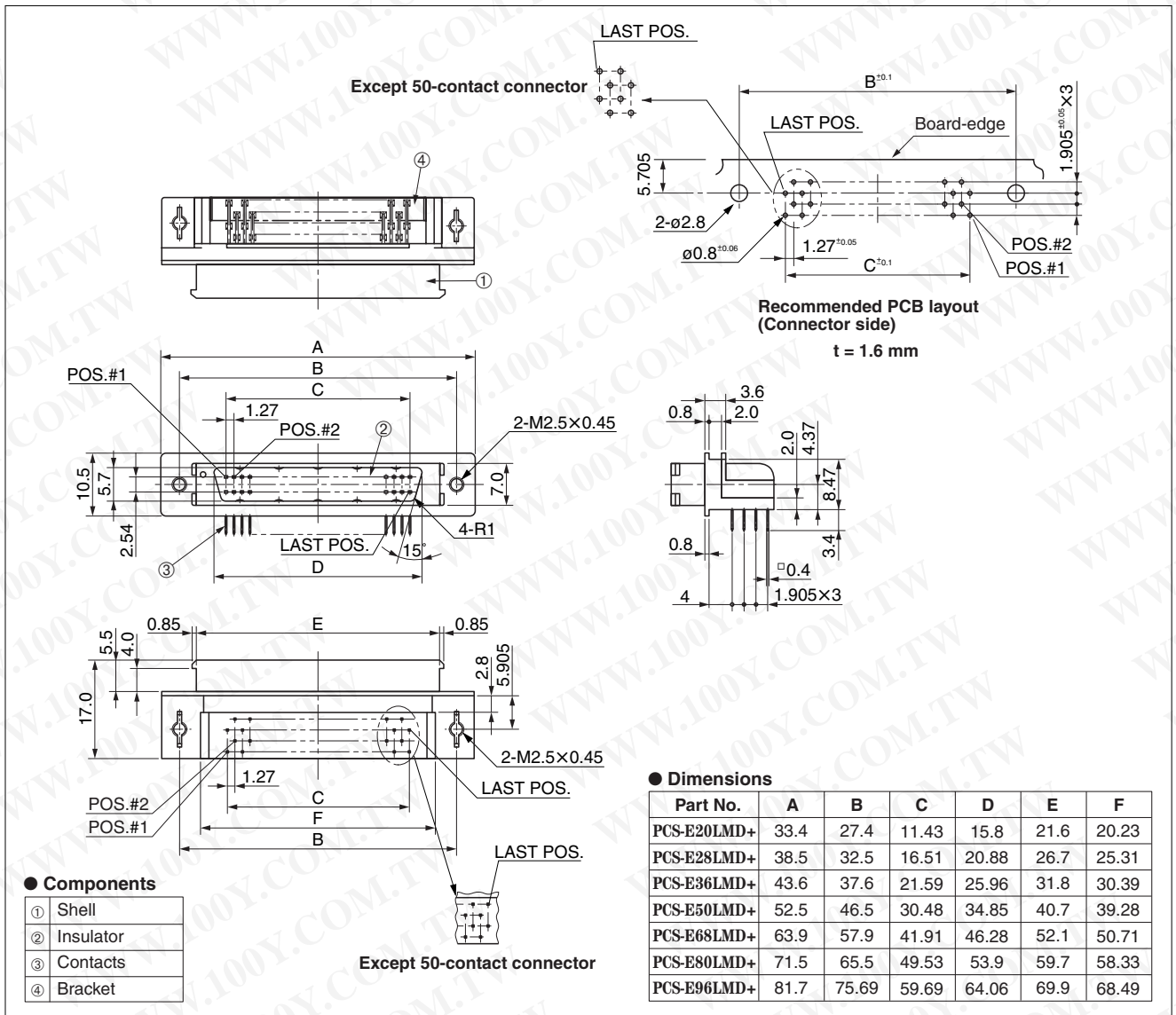


● Configuration of product Part No.

PCS-E ( ) LMD+

① ② ③

- ① Series name
- ② No. of contacts: 20, 28, 36, 50, 68, 80 or 96
- ③ Type of connector  
LMD: Right-angle through hole type, male



Mating connectors: PCS-E series cable-side IDC type female connector

PCS-E series cable-side soldering type female connector

Accessories: Dust-proof cap, PCS-( )C( )

勝特力材料 886-3-5753170  
 勝特力电子(上海) 86-21-34970699  
 勝特力电子(深圳) 86-755-83298787  
 Http://www.100y.com.tw

Others Wire wrapping Crimping Soldering IDC Press-in SMT Through hole

IDC type female connector for cable  
PCS-E( )F( )

1.27 mm pitch connector

For cable

IDC (1.2 mm)

RoHS



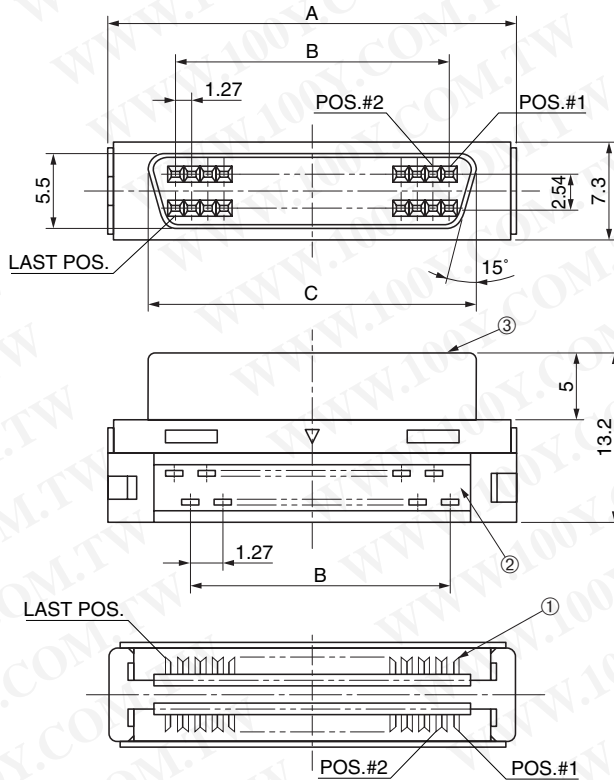
● Configuration of product Part No.

PCS-E ( ) F ( )

① ② ③ ④

- ① Series name
- ② No. of contacts: 20, 28, 36, 50, 68, 80 or 96
- ③ Type of contact: Female
- ④ Cable sizes for reference purposes (In case the cable sheath is made of PVC resin)  
Blank: AWG#28(7 / 0.127) or AWG#30(1 / 0.254). Outside diameter of insulation is 0.8–1.0 mm. For discrete wire.  
A : AWG#28(7 / 0.127) or AWG#30(1 / 0.254). Outside diameter of insulation is 0.5–0.65 mm. For discrete wire.  
B : AWG#30(7 / 0.1). Outside diameter of wire is 0.5–0.65 mm. For discrete wire.  
C : AWG#28(7 / 0.127) For flat cable  
D : AWG#30(7 / 0.1) For flat cable (See Note #1)

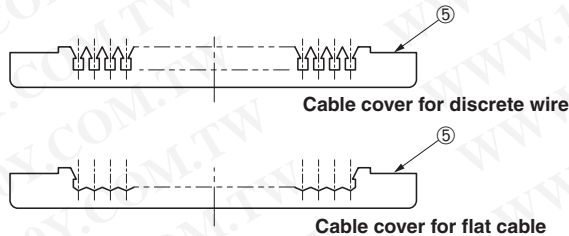
勝特力材料 886-3-5753170  
勝特力电子(上海) 86-21-34970699  
勝特力电子(深圳) 86-755-83298787  
[Http://www.100y.com.tw](http://www.100y.com.tw)



Note 1: This 96-contact connector is not available for flat cable.

● Components

①	Contacts
②	Spacer
③	Shell
④	Insulator
⑤	Cable cover



Because some combinations of "Configurations of Product Part No.", are under consideration for development, please contact us for availability details.

● Dimensions

Part No.	A	B	C
PCS-E20F( )	21.65	11.43	15.4
PCS-E28F( )	26.7	16.51	20.48
PCS-E36F( )	31.8	21.59	25.56
PCS-E50F( )	40.7	30.48	34.45
PCS-E68F( )	52.1	41.91	45.88
PCS-E80F( )	59.7	49.53	53.5
PCS-E96F( )	69.9	59.69	63.66

Mating connectors: PCS-E series through hole type male connector for PCB

PCS-E series IDC type male connector for panel

Tool: (Refer to page Tool-11)

Through hole SMT Press-in IDC Soldering Crimping Wire wrapping Others

Soldering type female connector for cable  
PCS-E( )FS+

For cable

Soldering

RoHS



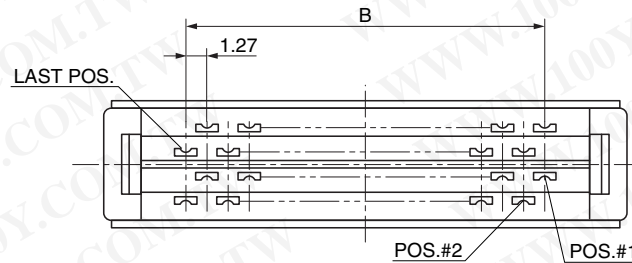
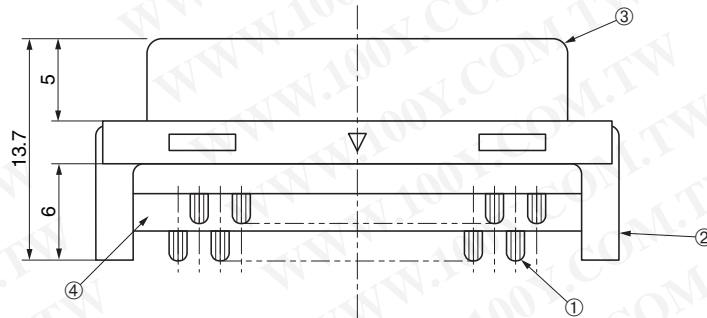
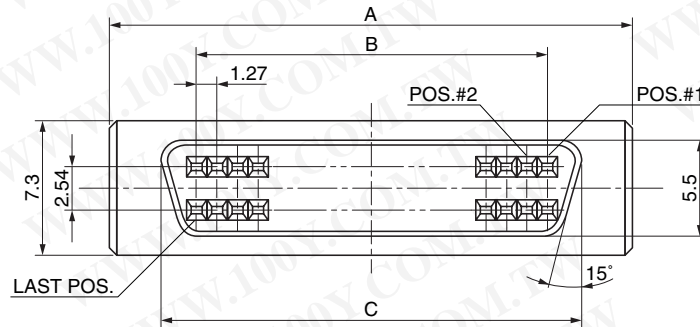
● Configuration of product Part No.

PCS-E ( ) FS+

① ② ③

- ① Series name
- ② No. of contacts: 20, 28, 36, 50 or 68
- ③ Type of contact: Soldering type, female  
Cable sizes for reference purposes  
FS: AWG#20 MAX.

勝特力材料 886-3-5753170  
 勝特力电子(上海) 86-21-34970699  
 勝特力电子(深圳) 86-755-83298787  
[Http://www.100y.com.tw](http://www.100y.com.tw)



● Components

①	Contacts
②	Insulator
③	Shell
④	Spacer

● Dimensions

Part No.	A	B	C
PCS-E20FS+	21.65	11.43	15.4
PCS-E28FS+	26.7	16.51	20.48
PCS-E36FS+	31.8	21.59	25.56
PCS-E50FS+	40.7	30.48	34.45
PCS-E68FS+	52.1	41.91	45.88

Mating connectors: PCS-E series through hole type male connector for PCB

PCS-E series IDC type male connector for panel

**IDC type male connector for panel**  
**PCS-E ( ) PM ( ) - ( )**

**1.27 mm pitch connector**

**For cable**

**IDC (1.27 mm)**



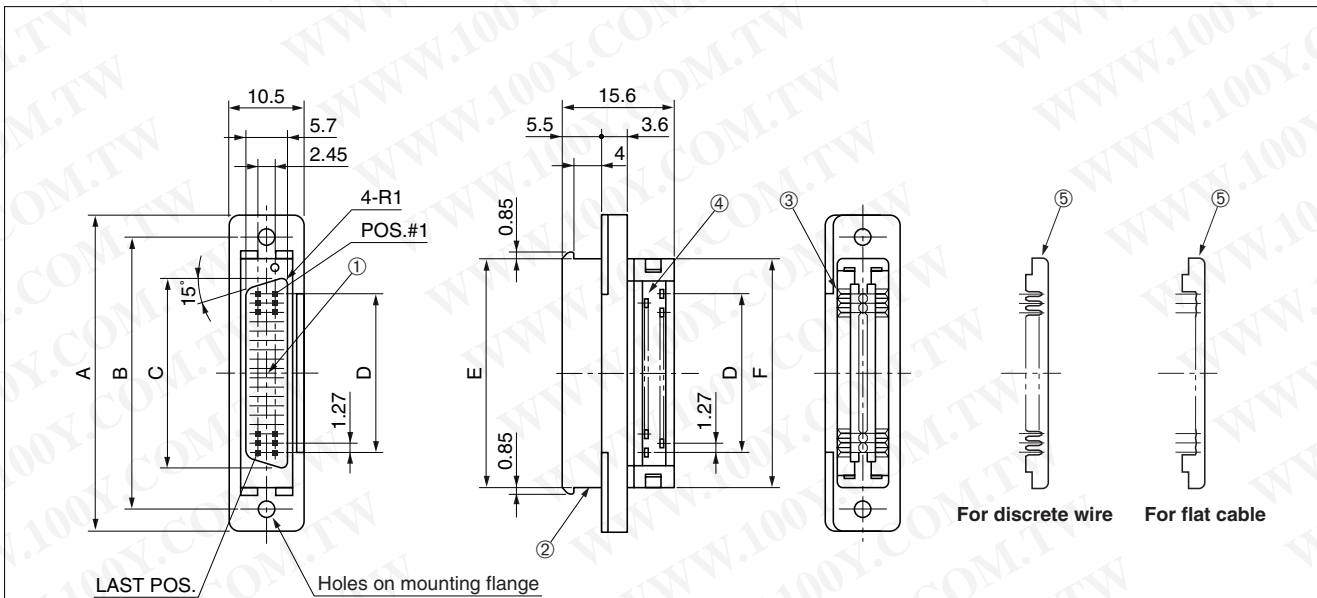
● Configuration of product Part No.

**PCS-E ( ) P M ( ) - ( )**

① ② ③ ④ ⑤ ⑥

- ① Series name
- ② No. of contacts: 20, 28, 36, 50 or 68
- ③ For panel
- ④ Type of contact: Male
- ⑤ Cable sizes for reference purposes (In case the cable insulation is made of PVC resin)  
 Blank: AWG#28(7 / 0.127). AWG#30(1 / 0.245). For flat cables  
 A : AWG#28(7 / 0.127). AWG#30(1 / 0.245). Outside diameter of insulation is 0.8–1.0 mm. For discrete wire.  
 B : AWG#30(7 / 0.1). For flat cables.  
 C : AWG#28(7 / 0.127) flat cable. AWG#30(1 / 0.245). Outside diameter of insulation is 0.5–0.65 mm. For discrete wire.  
 D : AWG#30(7 / 0.1). Outside diameter of wire is 0.5–0.65 mm. For discrete wire.
- ⑥ Holes on mounting flange  
 Blank: M2.5×0.45  
 H : Diameter of hole: 2.7 mm (The connector is mounted on the Die-cast material vertical backshell of PCS-E( )PML( ).)

勝特力材料 886-3-5753170  
 勝特力电子(上海) 86-21-34970699  
 勝特力电子(深圳) 86-755-83298787  
[Http://www.100y.com.tw](http://www.100y.com.tw)



This figure shows 36-contact connector as a typical example.

● Components

①	Insulator
②	Shell
③	Contacts
④	Spacer
⑤	Cable cover

Because some combinations of "Configurations of Product Part No.", are under consideration for development, please contact us for availability details.

● Dimensions

Part No.	A	B	C	D	E	F
PCS-E20PM( )	33.4	27.4	15.8	11.43	21.6	21.65
PCS-E28PM( )	38.5	32.5	20.88	16.51	26.7	26.7
PCS-E36PM( ),-H	43.6	37.6	25.96	21.59	31.8	31.8
PCS-E50PM( )	52.5	46.5	34.85	30.48	40.7	40.7
PCS-E68PM( )	63.9	57.9	46.28	41.91	52.1	52.1

**Mating connectors:** PCS-E series cable-side soldering type female connector

PCS-E series cable-side IDC type female connector

**Accessories:** Dust-proof cap, PCS-E( )C( )

Through hole SMT Press-in IDC Soldering Crimping Wire wrapping Others

1.27 mm pitch connector  
 For cable  
 IDC (0.635 mm)  
 Daisy chain

RoHS

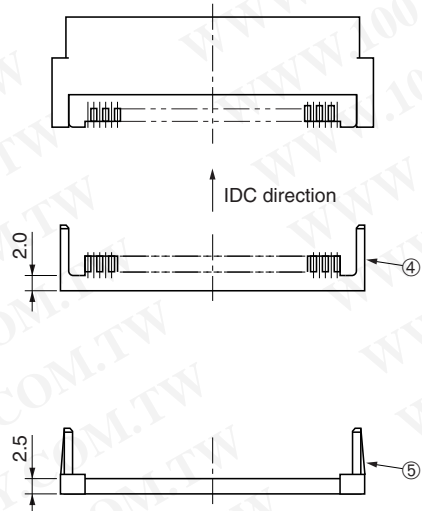
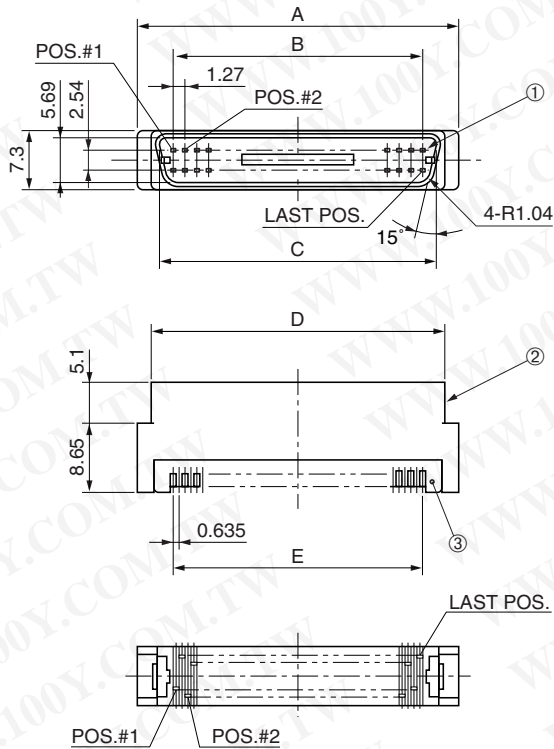


● Configuration of product Part No.

PCS-D ( ) ( ) MA1 ( ) +  
 ① ② ③ ④ ⑤ ⑥

- ① Series name
- ② No. of contacts: 50 or 68
- ③ Strain relief  
Blank: Not provided  
R : Provided
- ④ Type of contact: Male
- ⑤ Cable size  
A: AWG#30 (7 / 0.1) For flat cable
- ⑥ Contact plating  
Blank: Min. 0.2 μm Gold plating  
G1 : Min. 0.76 μm Gold plating

勝特力材料 886-3-5753170  
 勝特力电子(上海) 86-21-34970699  
 勝特力电子(深圳) 86-755-83298787  
[Http://www.100y.com.tw](http://www.100y.com.tw)



● Components

①	Contacts
②	Insulator
③	Cable housing A
④	Cable housing B
⑤	Strain relief

Because some combinations of "Configurations of Product Part No.", are under consideration for development, please contact us for availability details.

● Dimensions

Part No.	A	B	C	D	E
PCS-D50( )MA1( ) +	40.13	30.48	34.85	36.8	31.115
PCS-D68( )MA1( ) +	51.56	41.91	46.28	48.23	42.545

Mating connectors: PCS series straight through hole type female connector for PCB

PCS-XE series through hole type female connector for PCB

Required tools: MLPT-0003A (68 contacts) and MLPT-0003B (50 contacts) locators

**IDC type female connector for cable**  
**PCS-D68( )FA1( )+**

**1.27 mm pitch connector**

**For cable**

**IDC (0.635 mm)**

**Daisy chain**

**RoHS**

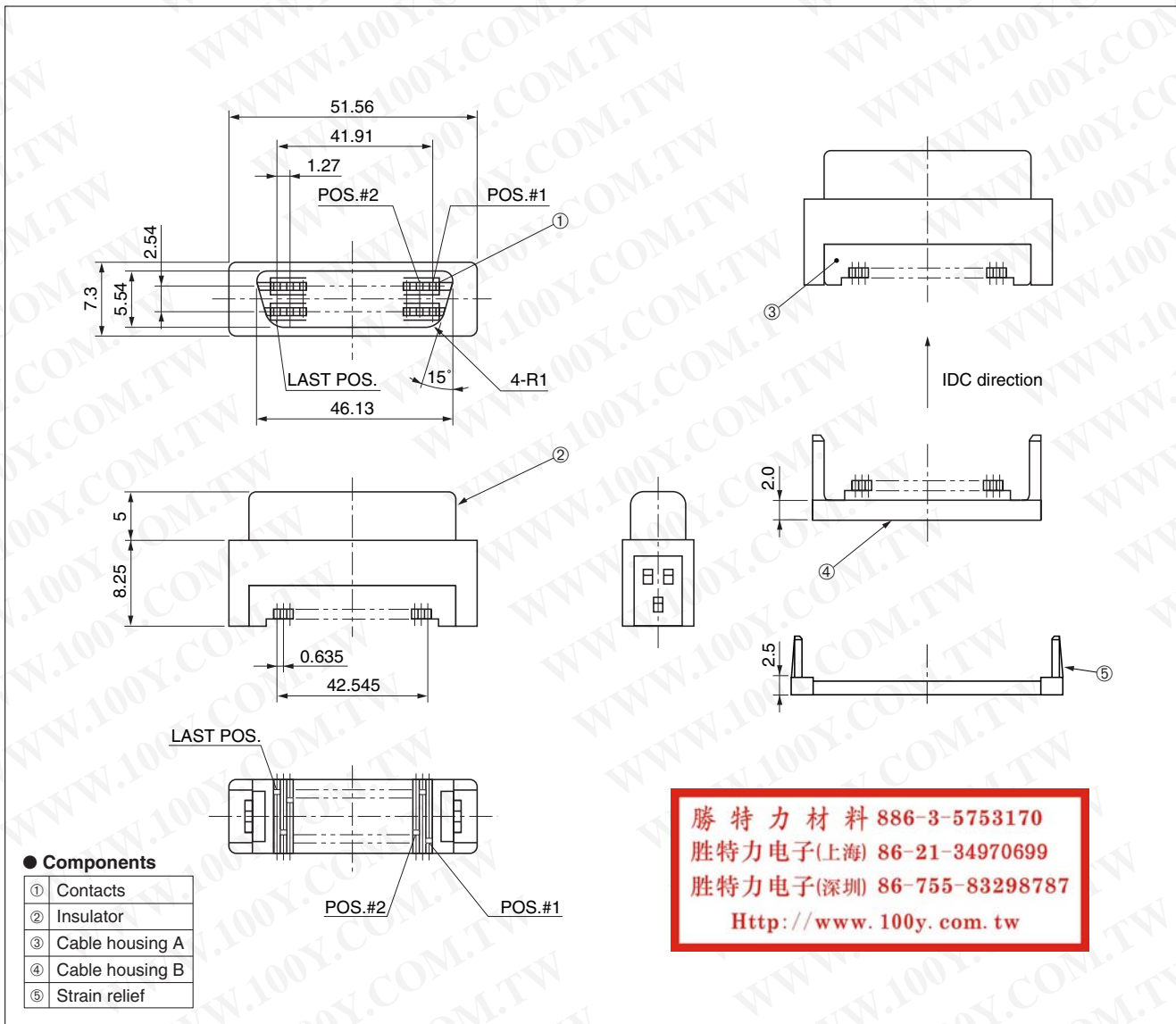


● Configuration of product Part No.

**PCS-D 68 ( ) F A 1 ( )+**

① ② ③ ④ ⑤ ⑥

- ① Series name
- ② No. of contacts: 68
- ③ Strain relief  
Blank: Not provided  
R : Provided
- ④ Type of contact: Female
- ⑤ Cable sizes  
A: AWG#30 (7 / 0.1) For flat cable
- ⑥ Contact plating  
Blank: Min. 0.2 μm Gold plating  
G1 : Min. 0.76 μm Gold plating



勝特力材料 886-3-5753170  
 勝特力电子(上海) 86-21-34970699  
 勝特力电子(深圳) 86-755-83298787  
[Http://www.100y.com.tw](http://www.100y.com.tw)

**Mating connectors:** PCS series through hole type male connector for PCB

**Required tools:** Locator, MLPT-0006A (only for 68 contacts)

Through hole SMT Press-in IDC Soldering Crimping Wire wrapping Others

# Straight through hole type female connector for PCB PCS-XE( )SFD( )( )+

RoHS

1.27 mm pitch connector

For PCB

Straight Through hole

SCSI-II

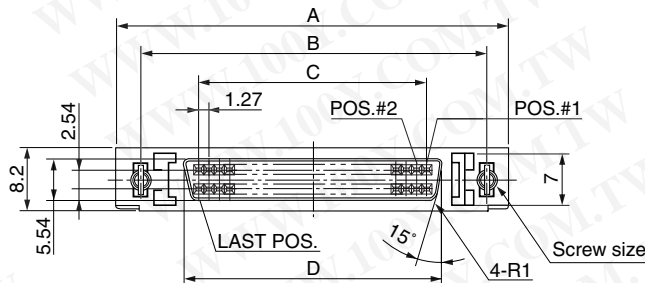


● Configuration of product Part No.

## PCS-XE ( ) SFD ( ) ( ) +

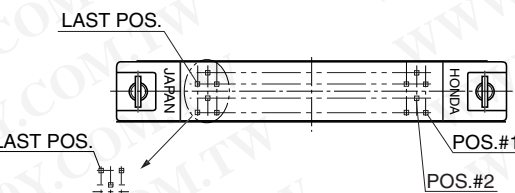
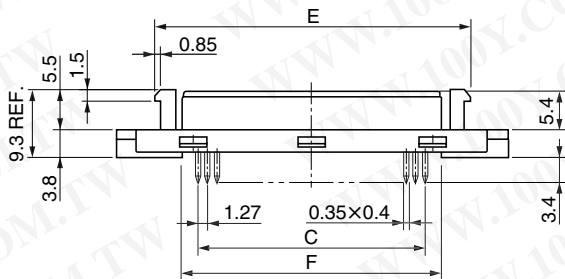
① ② ③ ④ ⑤ ⑥

- ① Series name
- ② No. of contacts: 26, 50 or 68
- ③ Type of shell  
S: Short shell
- ④ Type of connector  
FD: Straight through hole type, female
- ⑤ Screw size  
Blank: M2.5×0.45 (standard)  
U : #4-40UNC  
U2 : #2-56UNC
- ⑥ Contact plating  
Blank: Min. 0.2 μm Gold plating  
G1 : Min. 0.76 μm Gold plating



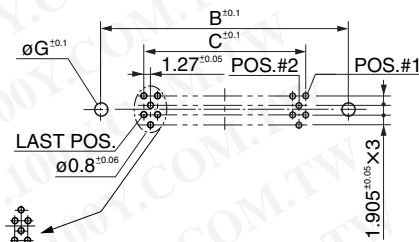
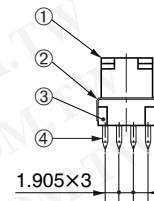
Note 1: This 26-contact connector is not available for #4-40UNC and #2-56UNC screws.

勝特力材料 886-3-5753170  
 勝特力电子(上海) 86-21-34970699  
 勝特力电子(深圳) 86-755-83298787  
[Http://www.100y.com.tw](http://www.100y.com.tw)



For 68-contact connector

For 68-contact connector



Recommended PCB layout (Connector side)  
t = 1.6 mm

● Dimensions

Part No.	A	B	C	D	E	F
PCS-XE26SFD( )( )+	37.2	31.2	15.24	19.46	27.05	20.0
PCS-XE50SFD( )( )+	52.5	46.5	30.48	34.7	42.29	35.24
PCS-XE68SFD( )( )+	63.9	57.9	41.91	46.13	53.72	46.67

Because some combinations of "Configurations of Product Part No.", are under consideration for development, please contact us for availability details.

Part No.	Screws size	øG
PCS-XE( )SFD( )+	M2.5×0.45	2.8
PCS-XE( )SFDU( )+	#4-40UNC	3.05
PCS-XE( )SFDU2( )+	#2-56UNC	2.5

● Components

① Shell A
② Shell B
③ Insulator
④ Contacts

Mating connectors: PCS-XE series IDC type male connector for cable



# Right-angle through hole type female connector for PCB PCS-XE( )LFD( )( )+

RoHS

1.27 mm pitch connector

For PCB

Right-angle Through hole

SCSI-II

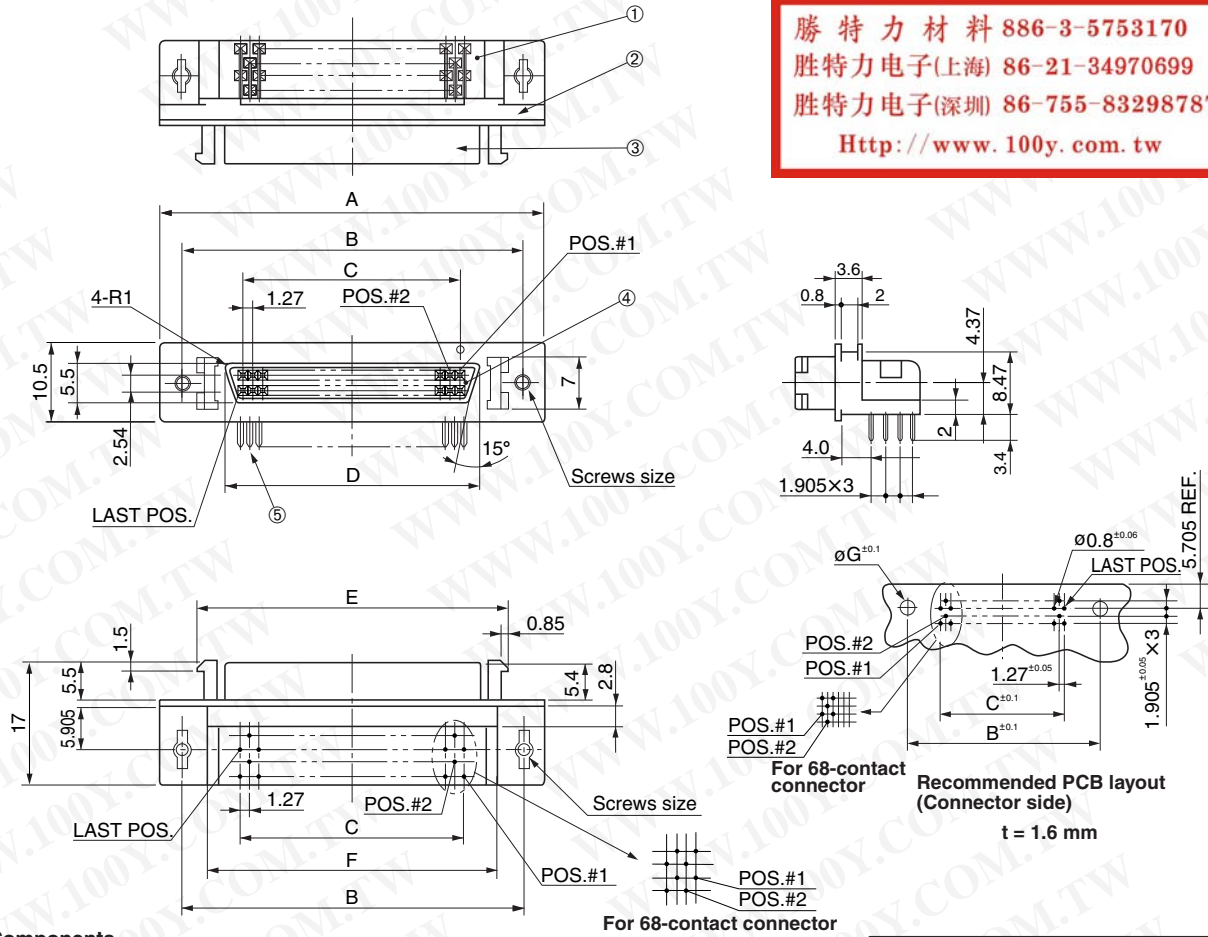


● Configuration of product Part No.

## PCS-XE ( ) LFD ( ) ( )+

- ① Series name
- ② No. of contacts: 50 or 68
- ③ Type of connector  
LFD: Right-angle through hole type, female
- ④ Screw size  
Blank: M2.5×0.45 (standard)  
U : #4-40UNC  
U2 : #2-56UNC
- ⑤ Contact plating  
Blank: Min. 0.2 μm Gold plating  
G1 : Min. 0.76 μm Gold plating

勝特力材料 886-3-5753170  
 勝特力电子(上海) 86-21-34970699  
 勝特力电子(深圳) 86-755-83298787  
[Http://www.100y.com.tw](http://www.100y.com.tw)



● Components

①	Bracket
②	Shell A
③	Shell B
④	Insulator
⑤	Contacts

● Dimensions

Part No.	A	B	C	D	E	F
PCS-XE50( )LFD( )( )+	52.5	46.5	30.48	34.7	42.29	39.28
PCS-XE68( )LFD( )( )+	63.9	57.9	41.91	46.13	53.72	50.71

Part No.	Screws size	øG
PCS-XE( )LFD( )+	M2.5×0.45	2.8
PCS-XE( )LFDU( )+	#4-40UNC	3.05
PCS-XE( )LFDU2( )+	#2-56UNC	2.5

Because some combinations of "Configurations of Product Part No.", are under consideration for development, please contact us for availability details.

Mating connectors: PCS-XE series IDC type male connector for cable

**Right-angle through hole type female connector for PCB**  
**PCS-XE68LFD T ( ) N ( ) +**

**1.27 mm pitch connector**

**For PCB**

**Right-angle Through hole**

**SCSI-III**

**RoHS**



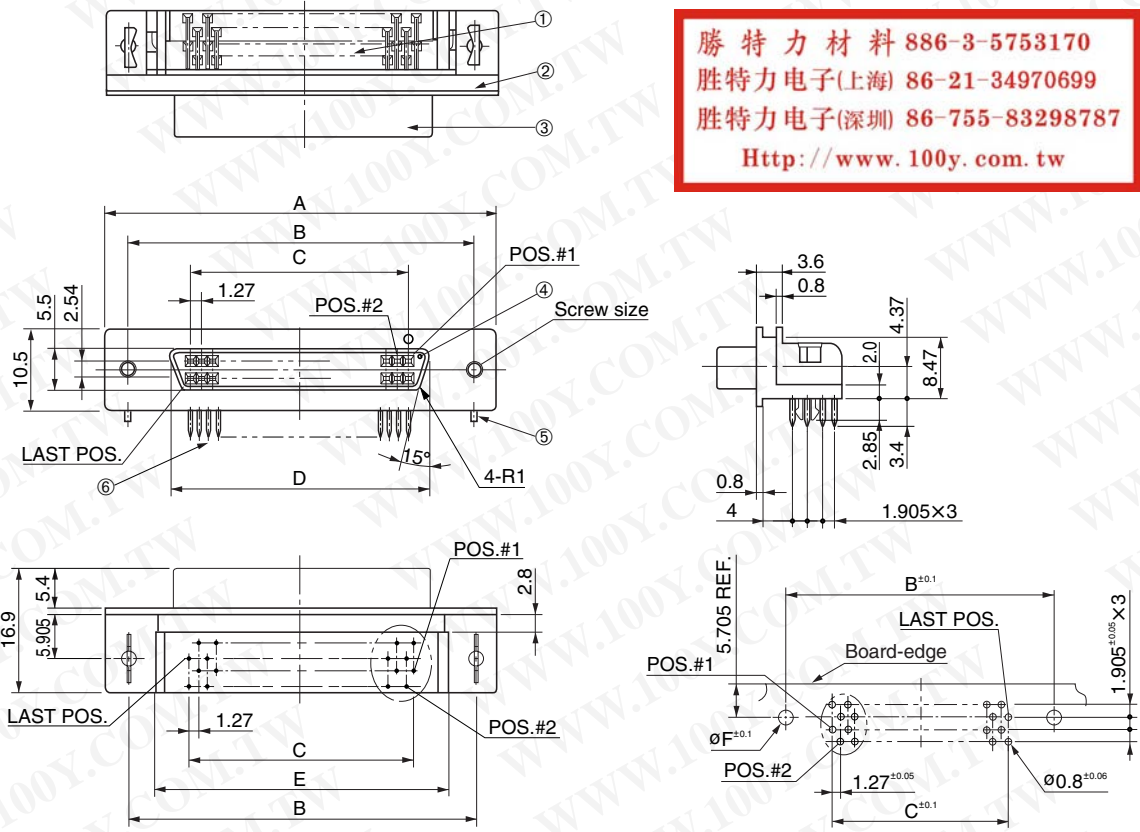
● Configuration of product Part No.

**PCS-XE 68 LFD T ( ) N ( ) +**

① ② ③ ④ ⑤ ⑥ ⑦

- ① Series name
- ② No. of contacts: 68
- ③ Type of connector  
LFD: Right-angle through hole type, female
- ④ Board lock pin  
Blank: None  
T : Provided
- ⑤ Screw size  
Blank: M2.5×0.45  
U : #4-40UNC (standard)  
U2 : #2-56UNC
- ⑥ Lock type  
N: Screw lock
- ⑦ Contact plating  
Blank: Min. 0.2 μm Gold plating  
G1 : Min. 0.76 μm Gold plating

勝特力材料 886-3-5753170  
 勝特力电子(上海) 86-21-34970699  
 勝特力电子(深圳) 86-755-83298787  
[Http://www.100y.com.tw](http://www.100y.com.tw)



● Components

①	Bracket pin
②	Shell A
③	Shell B
④	Insulator
⑤	Board lock
⑥	Contacts

● Dimensions

Part No.	A	B	C	D	E
PCS-XE68LFD T ( ) N ( ) +	63.9	57.9	41.91	46.13	50.71

Because some combinations of "Configurations of Product Part No.", are under consideration for development, please contact us for availability details.

Part No.	Screws size	ØF
PCS-XE68LFD T N ( ) +	M2.5×0.45	2.8
PCS-XE68LFD T U N ( ) +	#4-40UNC	3.05
PCS-XE68LFD T U2 N ( ) +	#2-56UNC	2.5

Mating connectors: PCS-XE series IDC type male connector for cable

**Right-angle through hole type female connector for PCB**  
**PCS-XE100LFD( )-( )+**

RoHS

**1.27 mm pitch connector**

**For PCB**

**Right-angle Through hole**

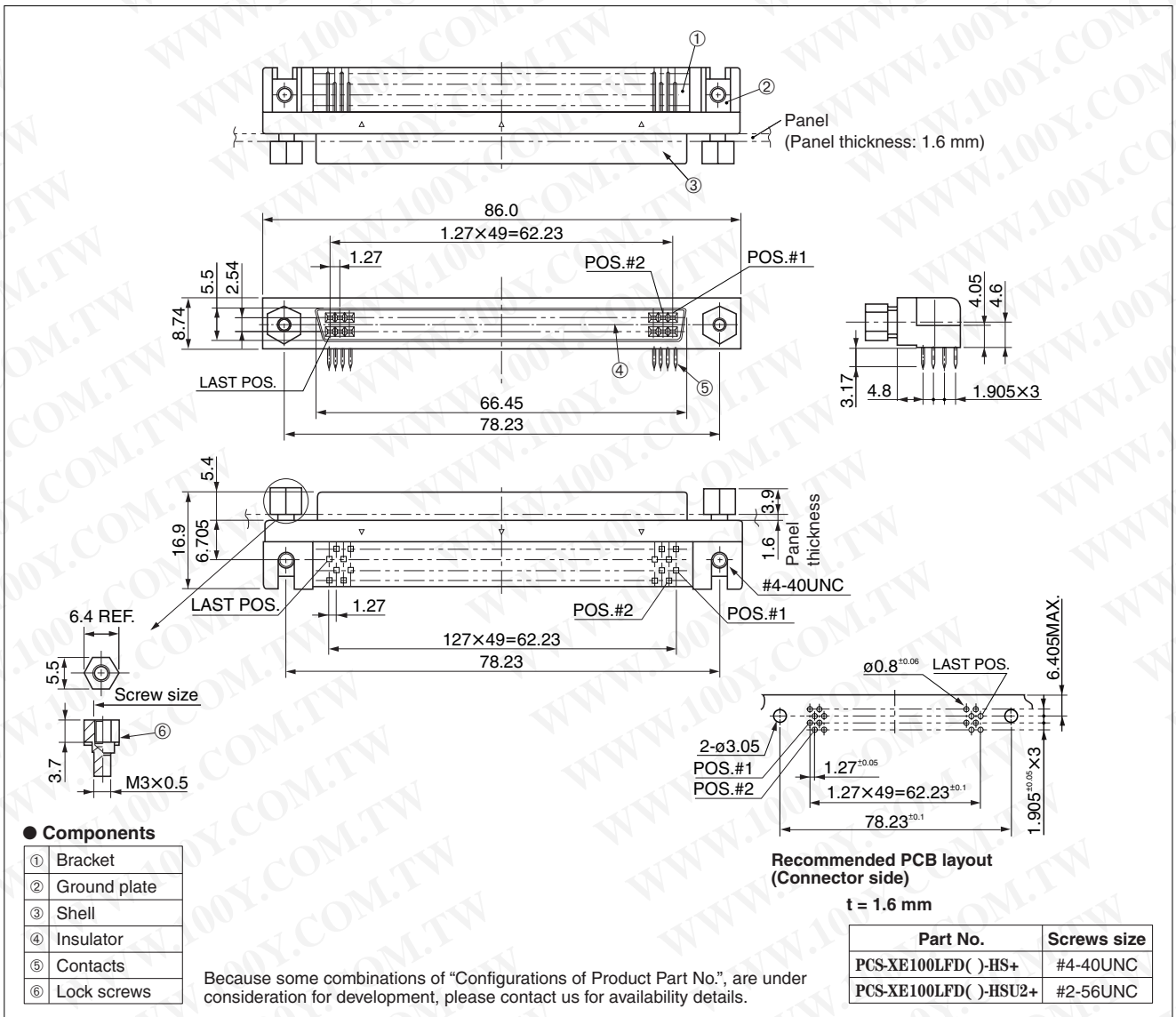
**Screw lock**



● Configuration of product Part No.

**PCS-XE 100 LFD ( )-( )+**

- ① Series name
- ② No. of contacts: 100
- ③ Type of connector  
LFD: Right-angle through hole type, female
- ④ Contact plating  
Blank: Min. 0.2 μm Gold plating  
G1 : Min. 0.76 μm Gold plating
- ⑤ Screw sizes for lock screws  
HS : #4-40UNC (standard)  
HSU2: #2-56UNC



● Components

①	Bracket
②	Ground plate
③	Shell
④	Insulator
⑤	Contacts
⑥	Lock screws

Mating connectors: PCS-XE series IDC type male connector for cable

**Right-angle through hole type female connector for PCB**  
**PCS-XE( )SLFD( ) ( )+**

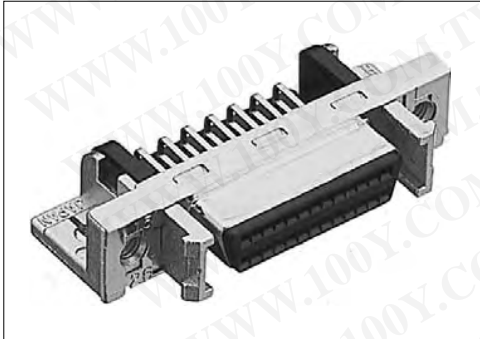
**1.27 mm pitch connector**

**For PCB**

**Right-angle Through hole**

**SCSI-II**

RoHS



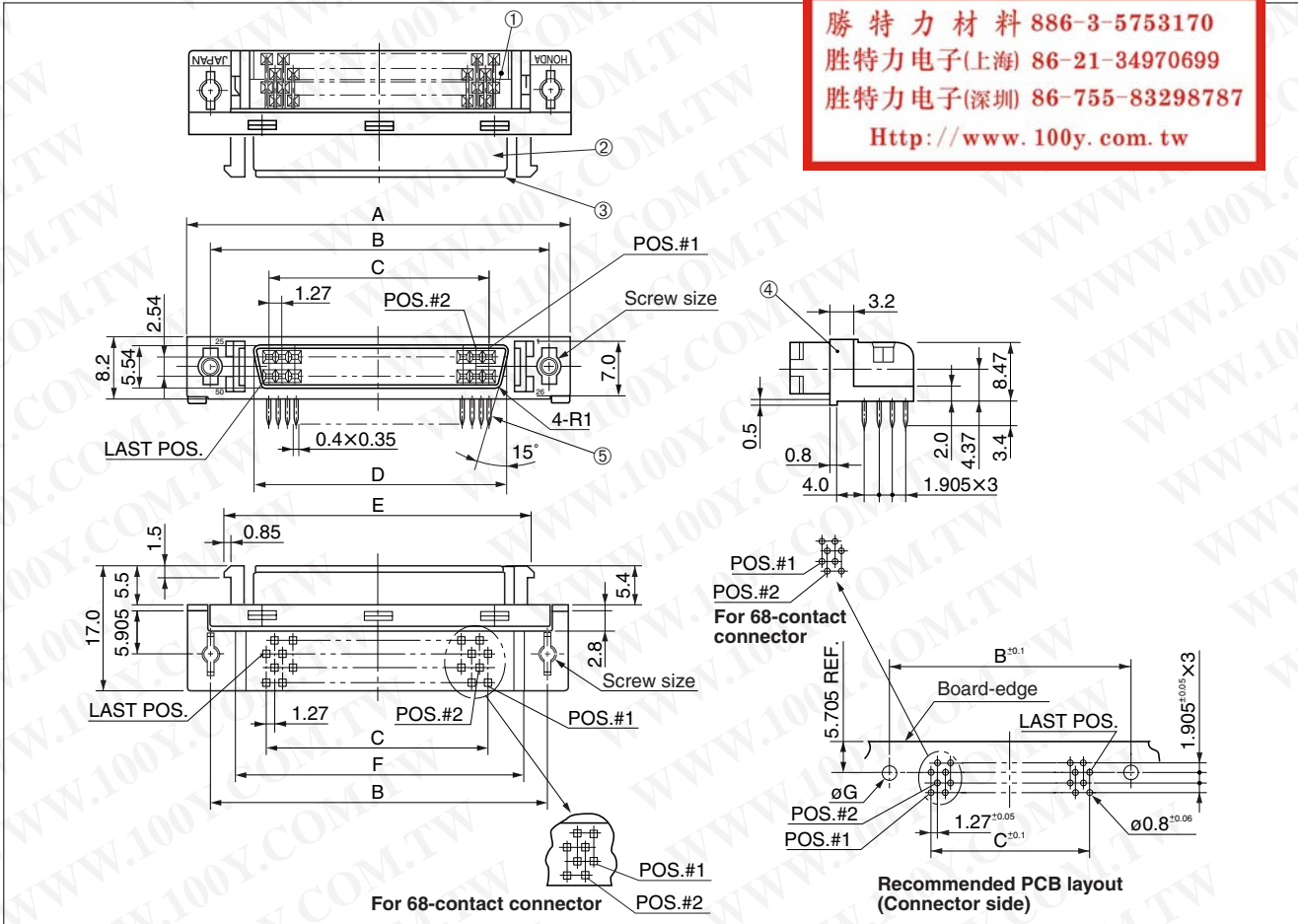
● Configuration of product Part No.

**PCS-XE ( ) S LFD ( ) ( )+**

① ② ③ ④ ⑤ ⑥

- ① Series name
- ② No. of contacts: 26, 50 or 68
- ③ Type of shell  
S: Short shell
- ④ Type of connector  
LFD: Right-angle through hole type, female
- ⑤ Screw size  
Blank: M2.5×0.45 (standard)  
U : #4-40UNC  
U2 : #2-56UNC
- ⑥ Contact plating  
Blank: Min. 0.2 μm Gold plating  
G1 : Min. 0.76 μm Gold plating

勝特力材料 886-3-5753170  
 勝特力电子(上海) 86-21-34970699  
 勝特力电子(深圳) 86-755-83298787  
[Http://www.100y.com.tw](http://www.100y.com.tw)



● Components

①	Bracket
②	Shell A
③	Insulator
④	Shell B
⑤	Contacts

● Dimensions

Part No.	A	B	C	D	E	F
PCS-XE26SLFD( ) ( )+	37.2	31.2	15.24	19.46	27.05	24.05
PCS-XE50SLFD( ) ( )+	52.5	46.5	30.48	34.7	42.29	39.28
PCS-XE68SLFD( ) ( )+	63.9	57.9	41.91	46.13	53.72	50.71

Part No.	Screws size	øG
PCS-XE( )SLFD( )+	M2.5×0.45	2.8
PCS-XE( )SLFDU( )+	#4-40UNC	3.05
PCS-XE( )SLFDU2( )+	#2-56UNC	2.5

Because some combinations of "Configurations of Product Part No.", are under consideration for development, please contact us for availability details.

Mating connectors: PCS-XE series IDC type male connector for cable

Through hole SMT Press-in IDC Soldering Crimping Wire wrapping Others

**Right-angle through hole type female connector for PCB**  
**PCS-XE( )SLFDT( )( )+**

RoHS

**1.27 mm pitch connector**

**For PCB**

**Right-angle Through hole**

**SCSI-II**



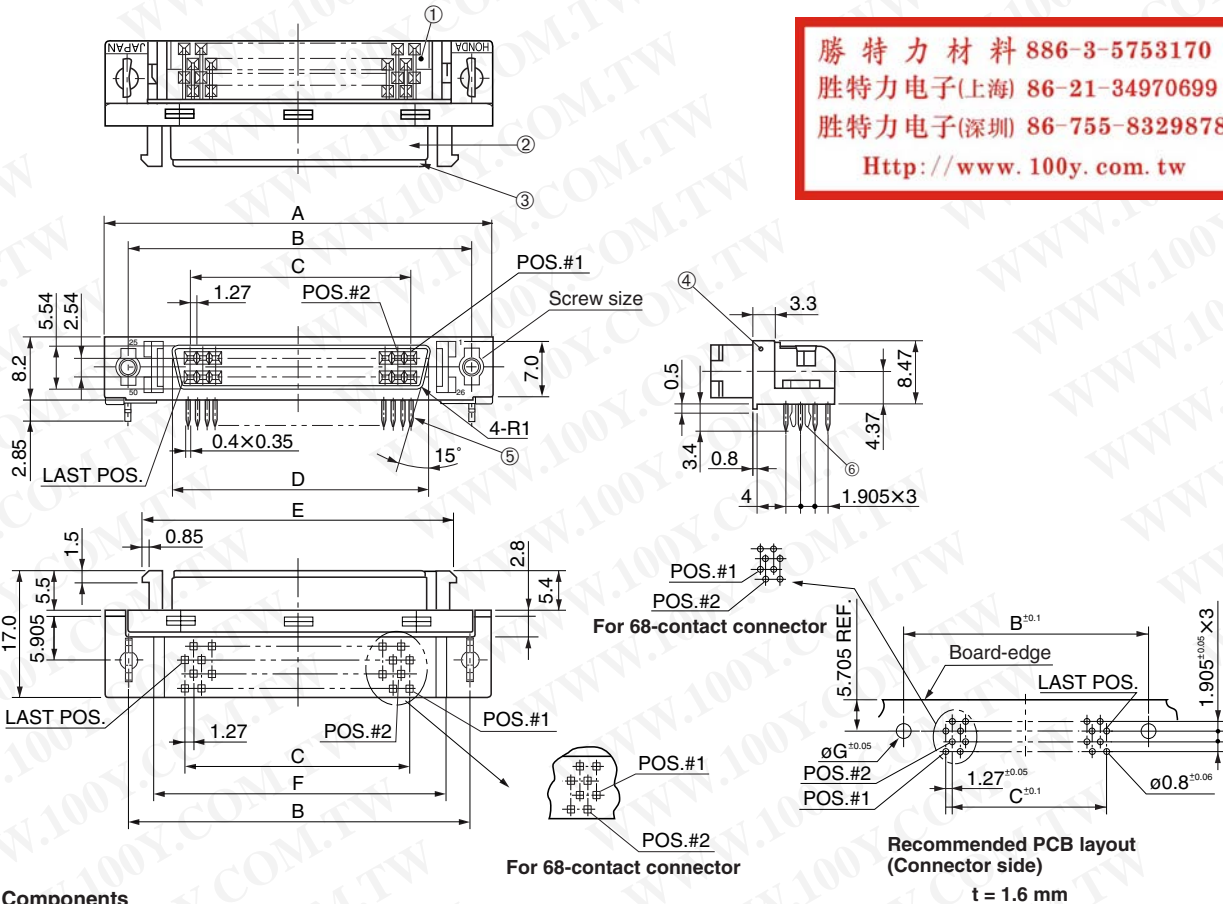
● Configuration of product Part No.

**PCS-XE ( ) S LFD T ( ) ( )+**

① ② ③ ④ ⑤ ⑥ ⑦

- ① Series name
- ② No. of contacts: 26, 50 or 68
- ③ Type of shell  
S: Short shell
- ④ Type of connector  
LFD: Right-angle through hole type, female
- ⑤ Board lock pin: Provided
- ⑥ Screw size  
Blank: M2.5×0.45 (standard)  
U : #4-40UNC  
U2 : #2-56UNC
- ⑦ Contact plating  
Blank: Min. 0.2 μm Gold plating  
G1 : Min. 0.76 μm Gold plating

勝特力材料 886-3-5753170  
 勝特力电子(上海) 86-21-34970699  
 勝特力电子(深圳) 86-755-83298787  
[Http://www.100y.com.tw](http://www.100y.com.tw)



● Components

①	Bracket
②	Shell B
③	Insulator
④	Shell A
⑤	Contacts
⑥	Board lock pin

● Dimensions

Part No.	A	B	C	D	E	F
PCS-XE26SLFDT( )( )+	37.2	31.2	15.24	19.46	27.05	24.05
PCS-XE50SLFDT( )( )+	52.5	46.5	30.48	34.7	42.29	39.28
PCS-XE68SLFDT( )( )+	63.9	57.9	41.91	46.13	53.72	50.71

Part No.	Screws size	øG
PCS-XE( )SLFDT( )+	M2.5×0.45	2.8
PCS-XE( )SLFDTU( )+	#4-40UNC	3.05
PCS-XE( )SLFDTU2( )+	#2-56UNC	2.5

Because some combinations of "Configurations of Product Part No.", are under consideration for development, please contact us for availability details.

Mating connectors: PCS-XE series IDC type male connector for cable

**Right-angle through hole type female connector for PCB**  
**PCS-XE( )SLFD( )N( )+**

**1.27 mm pitch connector**

**For PCB**

**Right-angle Through hole**

**SCSI-III**

**RoHS**



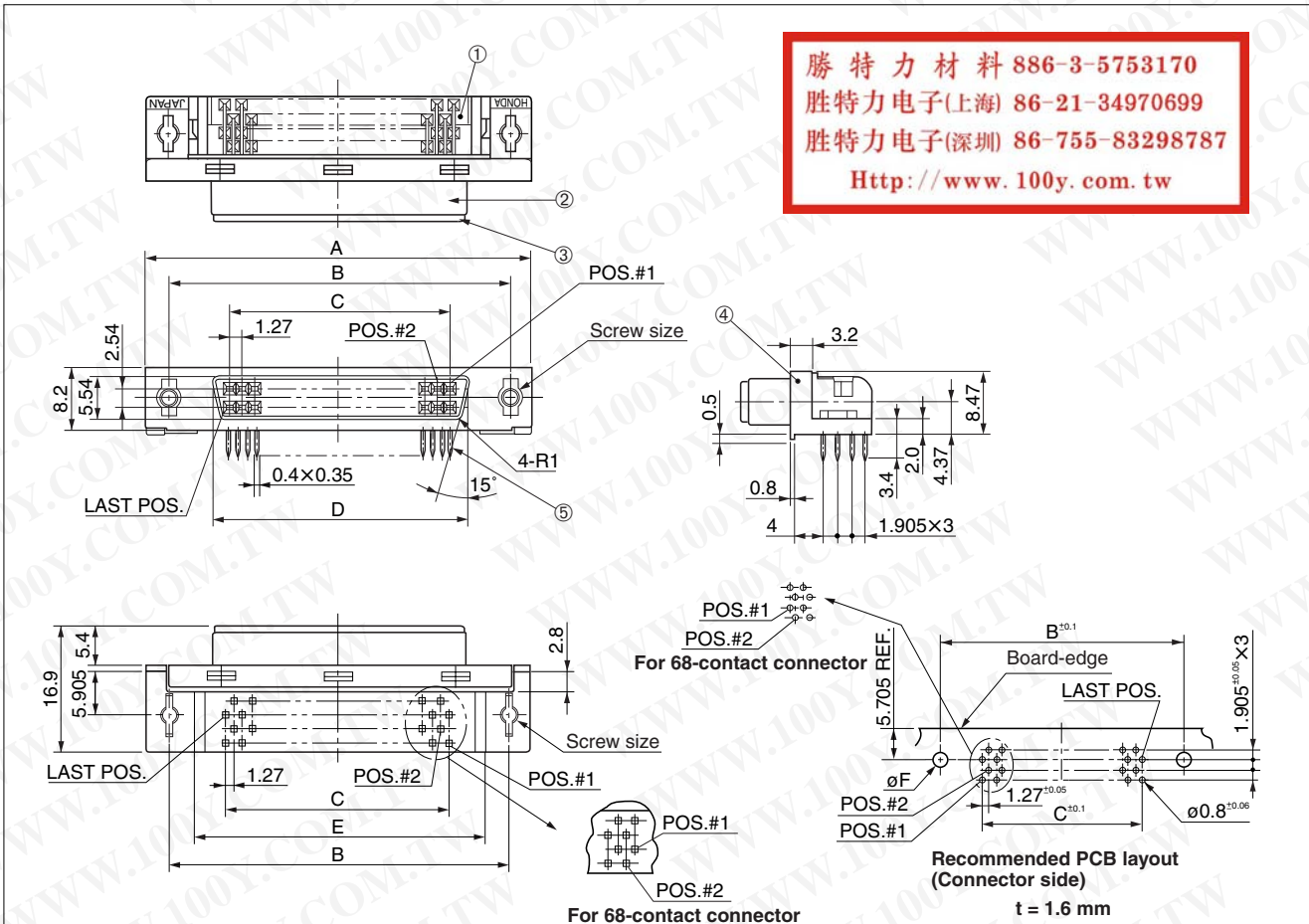
● Configuration of product Part No.

**PCS-XE ( ) S LFD ( ) N ( )+**

① ② ③ ④ ⑤ ⑥ ⑦

- ① Series name
- ② No. of contacts: 50 or 68
- ③ Type of shell  
S: Short shell
- ④ Type of connector  
LFD: Right-angle through hole type, female
- ⑤ Screw size  
Blank: M2.5×0.45  
U : #4-40UNC (standard)  
U2 : #2-56UNC
- ⑥ Lock type  
N: Screw lock
- ⑦ Contact plating  
Blank: Min. 0.2 μm Gold plating  
G1 : Min. 0.76 μm Gold plating

勝特力材料 886-3-5753170  
 勝特力电子(上海) 86-21-34970699  
 勝特力电子(深圳) 86-755-83298787  
[Http://www.100y.com.tw](http://www.100y.com.tw)



● Components

①	Bracket
②	Shell B
③	Insulator
④	Shell A
⑤	Contacts

● Dimensions

Part No.	A	B	C	D	E
PCS-XE50SLFD( )N( )+	52.5	46.5	30.48	34.7	39.28
PCS-XE68SLFD( )N( )+	63.9	57.9	41.91	46.13	50.71

Because some combinations of "Configurations of Product Part No.", are under consideration for development, please contact us for availability details.

Part No.	Screws size	øF
PCS-XE( )SLFDN( )+	M2.5×0.45	2.8
PCS-XE( )SLFDUN( )+	#4-40UNC	3.05
PCS-XE( )SLFDUN( )+	#2-56UNC	2.5

Mating connectors: PCS-XE series IDC type male connector for cable

- Through hole
- SMT
- Press-in
- IDC
- Soldering
- Crimping
- Wire wrapping
- Others

**Right-angle through hole type female connector for PCB**  
**PCS-XE( )SLFDT( )N( )+**

RoHS

**1.27 mm pitch connector**

**For PCB**

**Right-angle Through hole**

**SCSI-III**

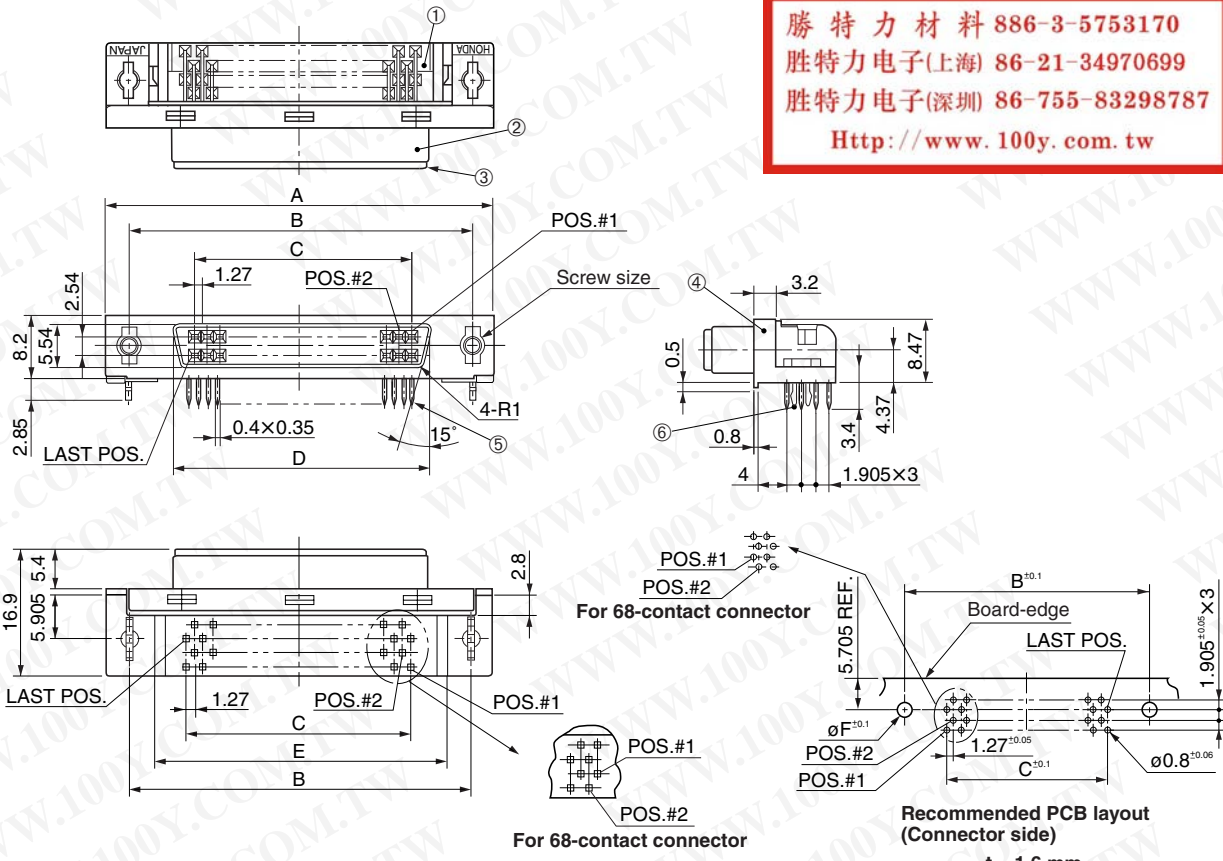


● Configuration of product Part No.

**PCS-XE ( ) S LFD T ( ) N ( )+**

- |  |                                 |
|--|---------------------------------|
| ① Series name                              | ⑥ Screw size                    |
| ② No. of contacts: 50 or 68                | Blank: M2.5×0.45                |
| ③ Type of shell                            | U : #4-40UNC (standard)         |
| S: Short shell                             | U2 : #2-56UNC                   |
| ④ Type of connector                        | ⑦ Lock type                     |
| LFD: Right-angle through hole type, female | N: Screw lock                   |
| ⑤ Board lock pin: Provided                 | ⑧ Contact plating               |
|  | Blank: Min. 0.2 μm Gold plating |
|  | G1 : Min. 0.76 μm Gold plating  |

勝特力材料 886-3-5753170  
 勝特力电子(上海) 86-21-34970699  
 勝特力电子(深圳) 86-755-83298787  
[Http://www.100y.com.tw](http://www.100y.com.tw)



● Components

- ① Bracket
- ② Shell B
- ③ Insulator
- ④ Shell A
- ⑤ Contacts
- ⑥ Board lock pin

● Dimensions

Part No.	A	B	C	D	E
PCS-XE50SLFDT( )N( )+	52.5	46.5	30.48	34.70	39.28
PCS-XE68SLFDT( )N( )+	63.9	57.9	41.91	46.13	50.71

Because some combinations of "Configurations of Product Part No.", are under consideration for development, please contact us for availability details.

Part No.	Screws size	øF
PCS-XE( )SLFDTN( )+	M2.5×0.45	2.8
PCS-XE( )SLFDTUN( )+	#4-40UNC	3.05
PCS-XE( )SLFDTU2N( )+	#2-56UNC	2.5

Mating connectors: PCS-XE series IDC type male connector for cable



**Straight Press-in type female connector for PCB**  
**PCS-XE50SFP( ) ( )**

RoHS

**1.27 mm pitch connector**

**For PCB**

**Straight Press-in**

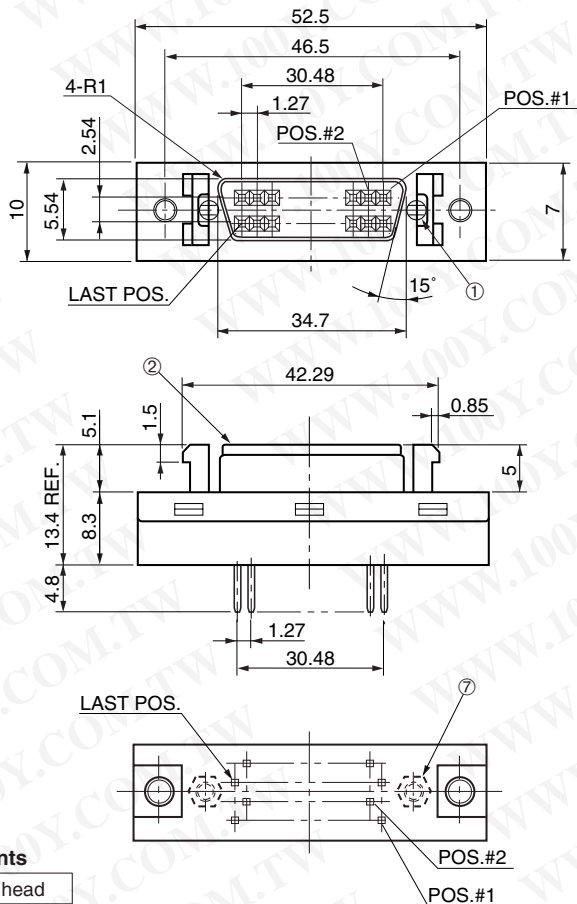
**SCSI-II**



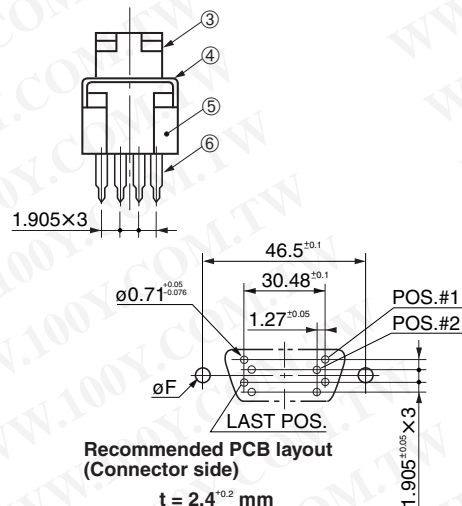
● Configuration of product Part No.

**PCS-XE 50 SFP ( ) ( )**

- ① Series name
- ② No. of contacts: 50
- ③ Type of connector  
SFP: Straight Press-in type, female
- ④ Screw size  
Blank: M2.5×0.45 (standard)  
U : #4-40UNC  
U2 : #2-56UNC
- ⑤ Contact plating  
G1: Min. 0.76 μm Gold plating



勝特力材料 886-3-5753170  
 勝特力电子(上海) 86-21-34970699  
 勝特力电子(深圳) 86-755-83298787  
[Http://www.100y.com.tw](http://www.100y.com.tw)



● Components

①	Small flat head
②	Insulator A screw
③	Shell A
④	Shell B
⑤	Insulator B
⑥	Contacts
⑦	Hex. nuts

Because some combinations of "Configurations of Product Part No.", are under consideration for development, please contact us for availability details.

● Dimensions

Part No.	Screws size	øF
PCS-XE50SFP( )	M2.5×0.45	2.8
PCS-XE50SFPU( )	#4-40UNC	3.05
PCS-XE50SFPU2( )	#2-56UNC	2.5

Mating connectors: PCS-XE series IDC type male connector for cable

IDC type male connector for cable  
PCS-XE( )M( )( )+

For cable

IDC (1.27 mm)

SCSI-II, SCSI-III



● Configuration of product Part No.

PCS-XE ( ) M ( ) ( ) +

① ② ③ ④ ⑤

- ① Series name
- ② No. of contacts: 26, 50, 68 or 100
- ③ Type of contact: Male
- ④ Cable sizes for reference purposes (In case the cable insulation is made of PVC resin)  
 Blank : AWG#28(7 / 0.127) or AWG#30(1 / 0.254). Outside diameter of insulation is 0.8-1.0 mm. For discrete wire. (See Note #1)  
 A : AWG#28(7 / 0.127) or AWG#30(1 / 0.254). Outside diameter of insulation is 0.5-0.65 mm. For discrete wire.  
 B : AWG#30(7 / 0.1). Outside diameter of insulation is 0.5-0.65 mm. For discrete wire.  
 C : AWG#28(7 / 0.127) or AWG#30(1 / 0.254). For flat cable, t = 1.0 mm MAX. (See Note #2)  
 E : AWG#30(7 / 0.1). For flat cable, t = 1.0 mm MAX. (See Note #2)  
 J : AWG#28(7 / 0.127) or AWG#30(1 / 0.254). Outside diameter of insulation is 0.65-0.8 mm. For discrete wire.  
 K : AWG#30(7 / 0.1). Outside diameter of insulation is 0.65-0.8 mm. For discrete wire.  
 Q : AWG#30(7 / 0.1). Outside diameter of insulation is 0.8-1.0 mm. For discrete wire.
- ⑤ Contact plating  
 Blank : Min. 0.2 μm Gold plating  
 G1 : Min. 0.76 μm Gold plating

**● Components**

①	Contacts
②	Shell
③	Insulator
④	Spacer
⑤	Cable cover

Because some combinations of "Configurations of Product Part No.", are under consideration for development, please contact us for availability details.

**● Dimensions**

Part No.	A	B	C	D
PCS-XE26M( )( )+	25.46	15.24	19.61	25.46
PCS-XE50M( )( )+	40.7	30.48	34.85	40.7
PCS-XE68M( )( )+	52.13	41.91	46.28	52.1
PCS-XE100M( )( )+	72.45	62.23	66.6	72.4

**Note 1:** P/N PCS-XE100M+ is not available.  
**Note 2:** This 100-contact connector is not available for flat cable. (C, E)

**Mating connectors:** PCS-XE series straight or right-angle through hole type female connector for PCB.

PCS-XE series SMT type female connector.

**For use with housings:** SCSI-II: PCS-E( )L( ). SCSI-III: PCS-XEM( )DL( )( )N

**Required tools:** Discrete wire tool: PCS-K1 or FHAT-918B and FHPT-918A. Flat cable tool: PCS-K4

Through hole SMT Press-in IDC Soldering Crimping Wire wrapping Others

勝特力材料 886-3-5753170  
 勝特力电子(上海) 86-21-34970699  
 勝特力电子(深圳) 86-755-83298787  
 Http://www.100y.com.tw

**IDC type female connector for panel**  
**PCS-XE( )SPF( )1UN( )**

**1.27 mm pitch connector**

**For cable**

**IDC (1.27 mm)**

**SCSI-III**



● Configuration of product Part No.

**PCS-XE ( ) SPF ( ) 1 U N ( )**

① ② ③ ④ ⑤ ⑥ ⑦

- ① Series name
- ② No. of contacts: 50, 68 or 100
- ③ Type of connector  
SPF : IDC type, female
- ④ Cable sizes for reference purposes  
(In case the cable insulation is made of PVC resin)  
Blank : AWG#28(7 / 0.27), AWG#30(1 / 0.254). Outside diameter of insulation is 0.5-0.65 mm. For discrete wire.  
A : AWG#28(7 / 0.127), AWG#30(1 / 0.254). Outside diameter of insulation is 0.5-0.65 mm. For discrete wire.  
B : AWG#30(7 / 0.1). Outside diameter of insulation is 0.5-0.65 mm. For discrete wire.
- C : AWG#28(7 / 0.127), AWG#30(1 / 0.254). For flat cable, t=1.0 mm. (See Note #1)
- E : AWG#30(7 / 0.1). For flat cable, t= 1.0 mm. (See Note #1)
- J : AWG#28(7 / 0.127), AWG#30(1 / 0.254). Outside diameter of insulation is 0.65-0.8 mm. For discrete wire.
- K : AWG#30(1 / 0.1). Outside diameter of insulation is 0.65-0.8 mm. For discrete wire.
- ⑤ Screw size  
U : #4-40UNC
- ⑥ Lock type  
N: Screw lock
- ⑦ Contact plating  
Blank : Min. 0.2 μm Gold plating  
G1 : Min. 0.76 μm Gold plating

**Components**

①	Contacts
②	Shell
③	Insulator
④	Screw block
⑤	Cable cover

Because some combinations of "Configurations of Product Part No.", are under consideration for development, please contact us for availability details.

**Dimensions**

Part No.	A	B	C	D	E
PCS-XE50SPF( )1UN( )	53.3	46.5	30.48	34.7	40.7
PCS-XE68SPF( )1UN( )	64.73	57.9	41.91	46.13	52.1
PCS-XE100SPF( )1UN( )	85.05	78.23	62.23	66.45	72.4

**Note 1:** This 100-contact connector is not available for flat cable. (C, E)

Mating connectors: PCS-XE series male connector

Through hole SMT Press-in IDC Soldering Crimping Wire wrapping Others

勝特力材料 886-3-5753170  
 勝特力电子(上海) 86-21-34970699  
 勝特力电子(深圳) 86-755-83298787  
[Http://www.100y.com.tw](http://www.100y.com.tw)

**IDC type female connector for panel**  
**PCS-XE( )SPF( )( )**

RoHS

**1.27 mm pitch connector**

**For cable**

**IDC (1.27 mm)**

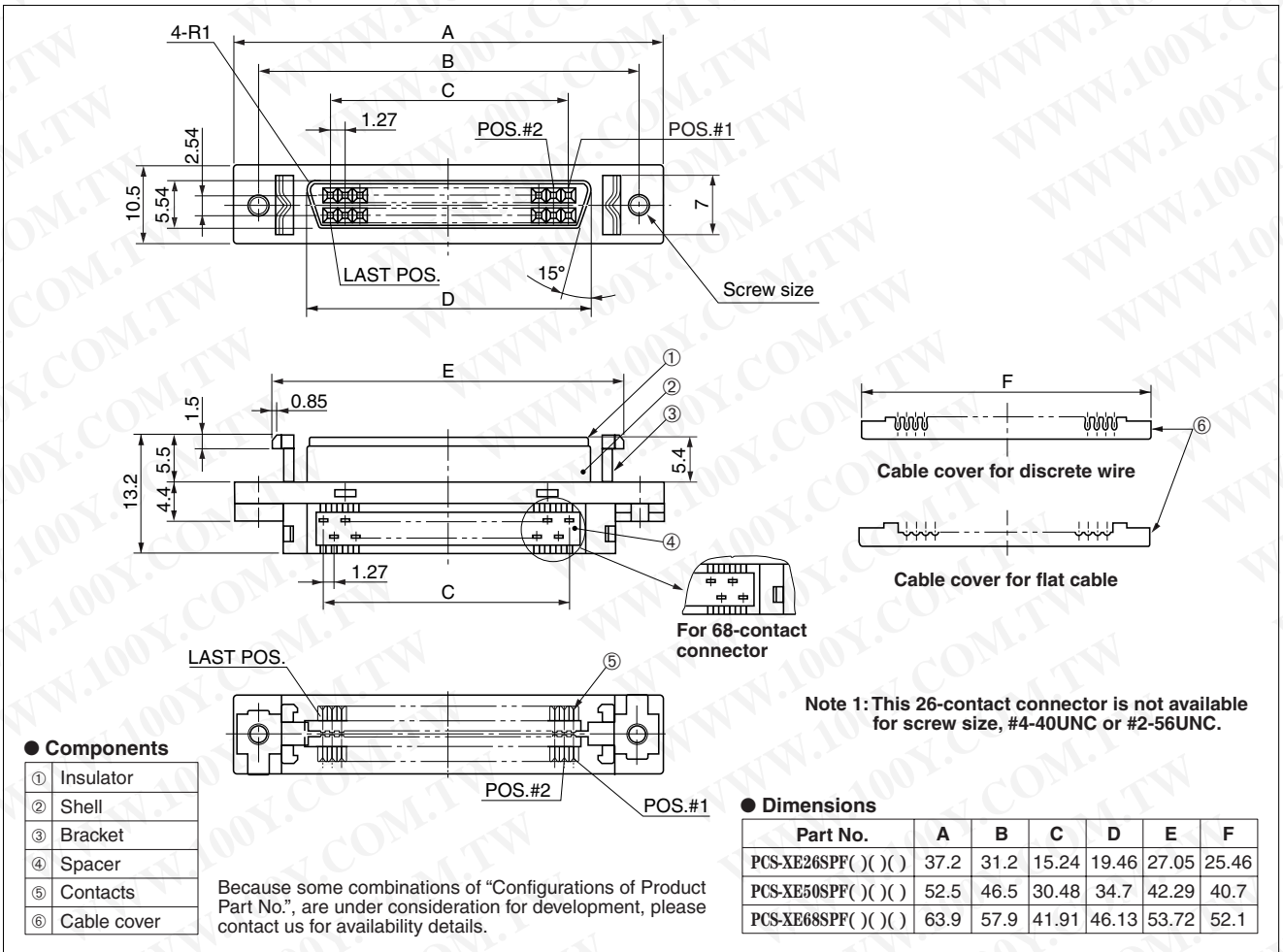
**SCSI-II**



● Configuration of product Part No.

**PCS-XE ( ) S P F ( ) ( ) ( )**

- |   |                   |   |
|---|-------------------|---|
| ① Series name   | B                 | : AWG#30(7 / 0.1). Outside diameter of insulation is 0.5-0.65mm. For discrete wire. |
| ② No. of contacts: 26, 50 or 68   | C                 | : AWG#28(7 / 0.127) or AWG#30 (1 / 0.254). For flat cable, t = 1.0 mm.              |
| ③ Type of shell<br>S: Short shell   | E                 | : AWG#30(1 / 0.1). For flat cable, t = 1.0 mm.                                      |
| ④ Panel<br>P: Panel mounting  | ⑦ Screw size      | Blank: M2.5×0.54 (standard)<br>U : #4-40UNC<br>U2 : #2-56UNC                        |
| ⑤ Type of contact<br>F: IDC type, female  | ⑧ Contact plating | Blank: Min. 0.2 μm Gold plating<br>G1 : Min. 0.76 μm Gold plating                   |
| ⑥ Cable sizes for reference purposes<br>(In case the cable insulation is made of PVC resin)                     |                   |   |
| Blank: AWG#28(7 / 0.127) or AWG#30(1 / 0.254). Outside diameter of insulation is 0.8-1.0 mm. For discrete wire. |                   |   |
| A : AWG#28(7 / 0.127) or AWG#30(1 / 0.254). Outside diameter of insulation is 0.5-0.65 mm. For discrete wire.   |                   |   |



Mating connectors: PCS-XE series IDC type male connector for cable

勝特力材料 886-3-5753170  
 勝特力电子(上海) 86-21-34970699  
 勝特力电子(深圳) 86-755-83298787  
 Http://www.100y.com.tw

Others Wire wrapping Crimping Soldering IDC Press-in SMT Through hole

**IDC type female connector for panel**  
**PCS-XED( ) ( ) FA ( ) ( ) +**

**1.27 mm pitch connector**

**For cable**

**IDC (0.635 mm)**

**SCSI-II**

**RoHS**



● Configuration of product Part No.

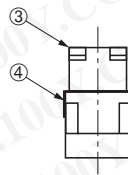
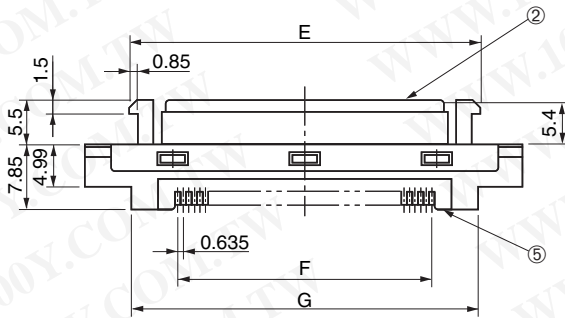
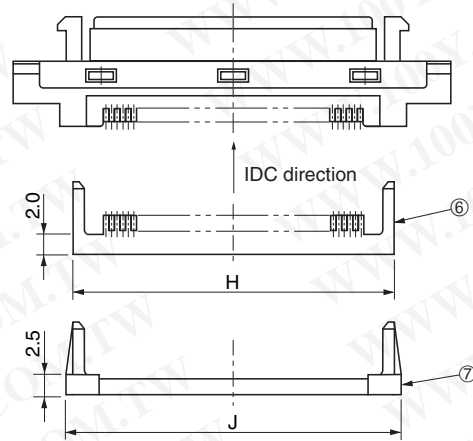
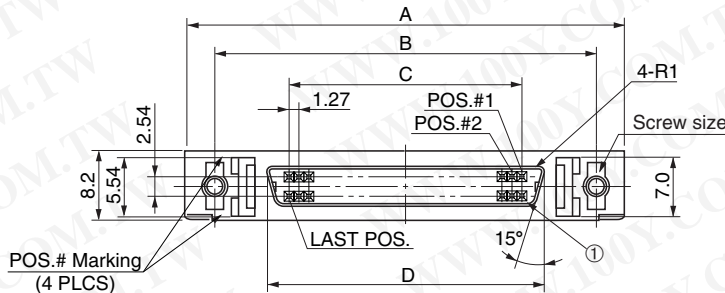
**PCS-XED ( ) ( ) F A ( ) ( ) +**

① ② ③ ④ ⑤ ⑥ ⑦

- ① Series name
- ② No. of contacts: 50 or 68
- ③ Strain relief  
Blank: Not provided  
R : Provided
- ④ Type of contact  
F: Female
- ⑤ Cable size  
A: AWG#30(7 / 0.1) For flat cable
- ⑥ Screw size  
Blank: M2.5×0.54 (standard)  
U : #4-40UNC  
U2 : #2-56UNC
- ⑦ Contact plating  
Blank: Min. 0.2 μm Gold plating  
G1 : Min. 0.76 μm Gold plating

● Dimensions

Part No.	A	B	C	D	E	F	G	H	J
PCS-XED50( )FA( ) ( )	52.5	46.5	30.48	34.7	42.29	31.115	42.1	37.79	39.49
PCS-XED68( )FA( ) ( )	63.9	57.9	41.91	46.13	53.72	42.545	53.47	49.22	50.92



● Terminal-to-conductor connection (In case of the 50-contact connector)

Terminal No.	Conductor No.
1	1
26	2
2	3
27	4
...	...
24	47
49	48
25	49
50	50

● Components

- ① Contacts
- ② Insulator
- ③ Shell A
- ④ Shell B
- ⑤ Cable housing A
- ⑥ Cable housing B
- ⑦ Strain relief



Because some combinations of "Configurations of Product Part No.", are under consideration for development, please contact us for availability details.

Part No.	Screws size
PCS-XED( ) ( ) FA( ) ( ) +	M2.5×0.45
PCS-XED( ) ( ) FAU( ) ( ) +	#4-40UNC
PCS-XED( ) ( ) FAU2( ) ( ) +	#2-56UNC

**Mating connectors:** PCS-XE series IDC type male connector for cable

**Required tools:** Locator tool, MLPT-0004A for 68 contacts or MLPT-0004B for 50 contacts

Through hole SMT Press-in IDC Soldering Crimping Wire wrapping Others

**勝特力材料 886-3-5753170**  
**勝特力电子(上海) 86-21-34970699**  
**勝特力电子(深圳) 86-755-83298787**  
[Http://www.100y.com.tw](http://www.100y.com.tw)

IDC type female connector for panel  
PCS-XED68( )FAUN( )+

RoHS

1.27 mm pitch connector

For cable

IDC (0.635 mm)

SCSI-III

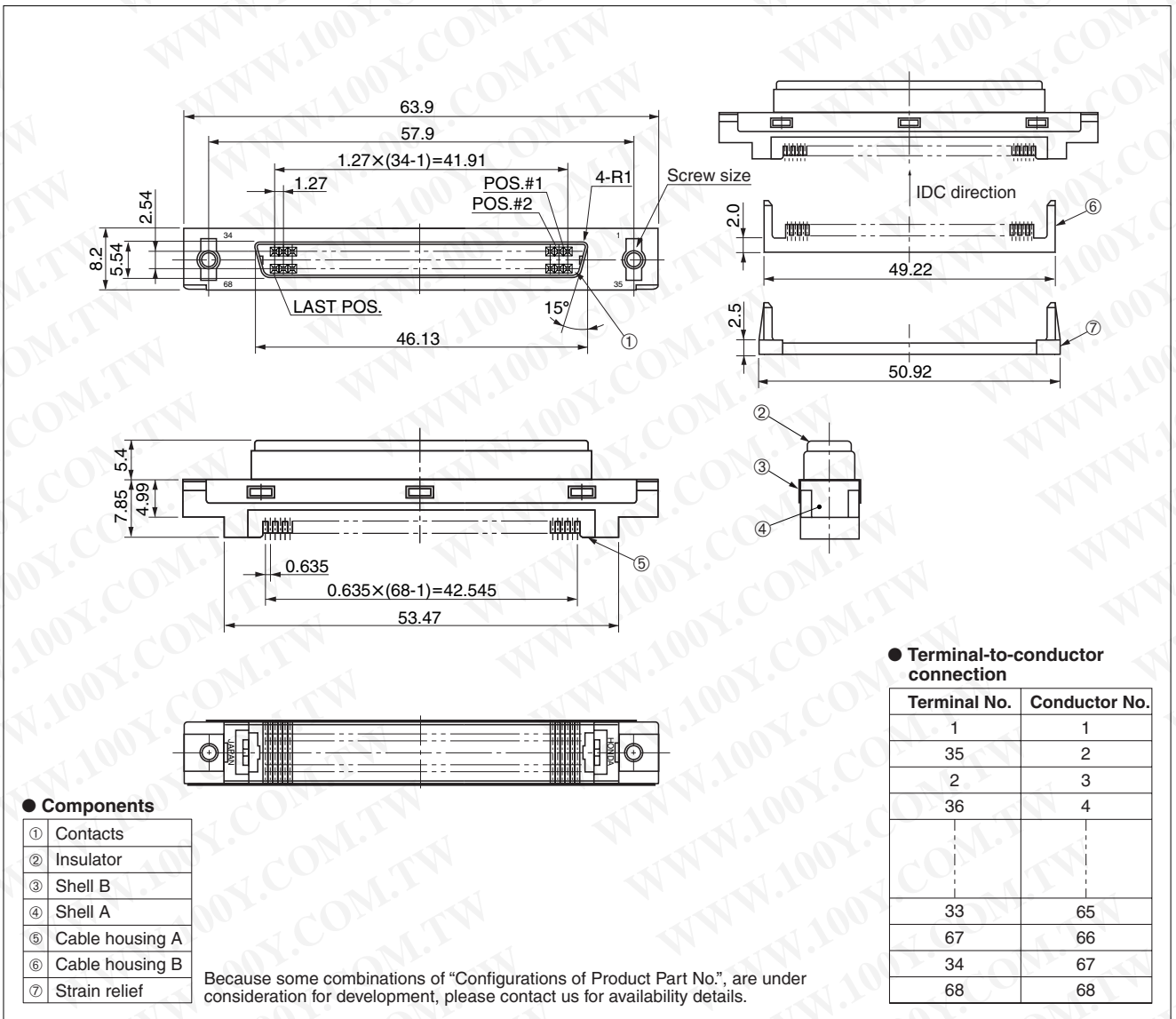


● Configuration of product Part No.

PCS-XED 68 ( ) F A U N ( ) +

① ② ③ ④ ⑤ ⑥ ⑦ ⑧

- ① Series name
- ② No. of contacts: 68
- ③ Strain relief  
Blank: Not provided  
R : Provided
- ④ Type of contact  
F: Female
- ⑤ Cable size  
A: AWG#30(7 / 0.1) For flat cable
- ⑥ Screw size  
U: #4-40UNC
- ⑦ Lock type  
N: Screw lock
- ⑧ Contact plating  
Blank: Min. 0.2 μm Gold plating  
G1 : Min. 0.76 μm Gold plating



Mating connectors: PCS-XE series IDC type male connector for cable

Required tools: Locator tool, MLPT-0004A for 68 contacts or MLPT-0004B for 50 contacts

勝特力材料 886-3-5753170  
勝特力电子(上海) 86-21-34970699  
勝特力电子(深圳) 86-755-83298787  
Http://www.100y.com.tw

Others Wire wrapping Crimping Soldering IDC Press-in SMT Through hole

**EMI-filtered vertical type die-cast material backshell for standard cable**  
**PCS-E( )L( )**

**Backshell**

**Vertical**

**EMI-filtered**

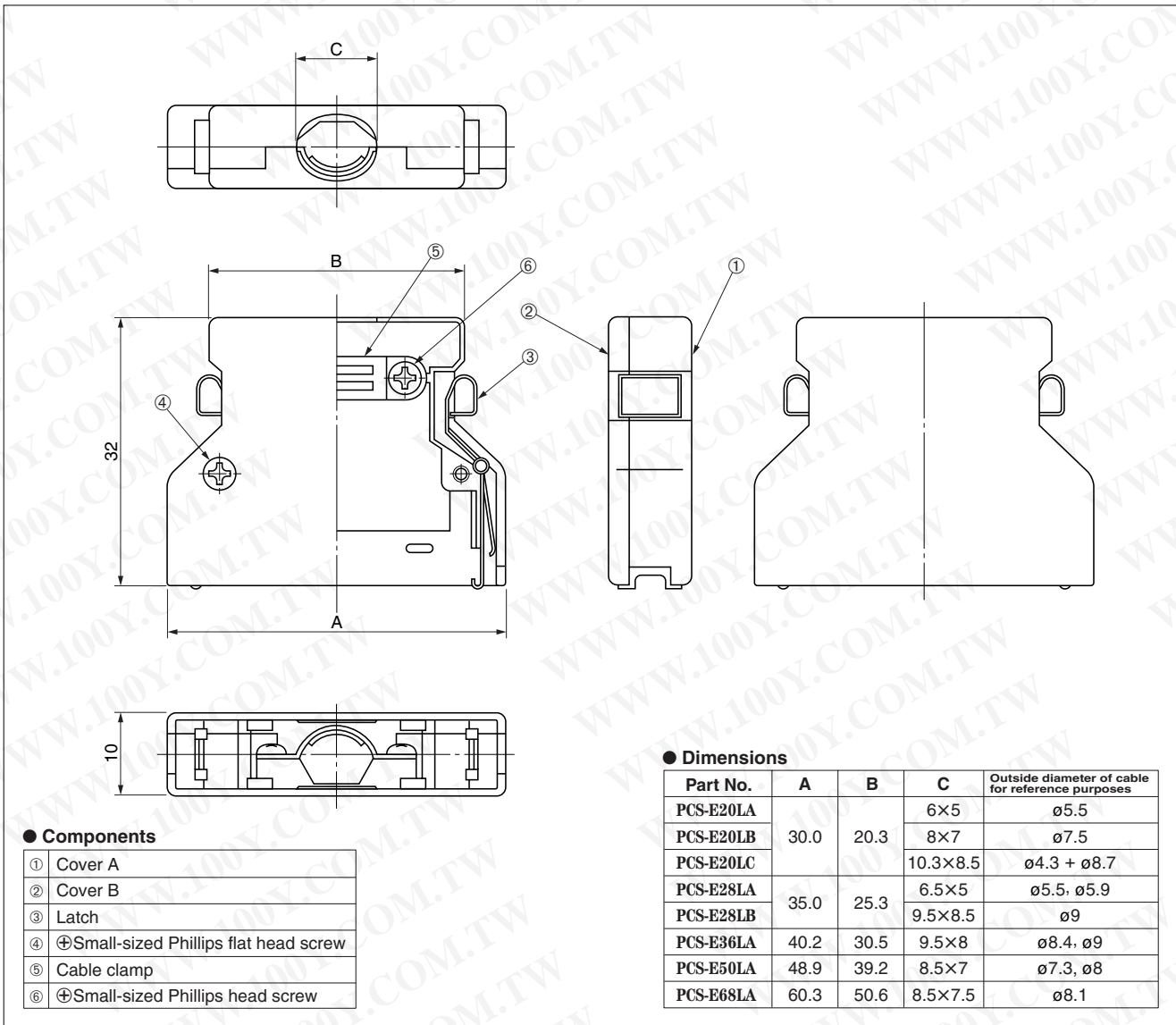


● Configuration of product Part No.

**PCS-E ( ) L ( )**

① ② ③ ④

- ① Series name
- ② No. of contacts: 20, 28, 36, 50 or 68
- ③ Type of backshell  
L: Vertical type backshell for standard cable
- ④ Identification mark (A, B or C) of cable-end-outlet dimension.  
Cable diameters for reference purposes are shown in the Dimension table as below.



For use with connector: PCS-E series IDC type or soldering type female connector for cable  
 PCS-XE series IDC type male connector for cable

Through hole SMT Press-in IDC Soldering Crimping Wire wrapping Others

勝特力材料 886-3-5753170  
 勝特力电子(上海) 86-21-34970699  
 勝特力电子(深圳) 86-755-83298787  
 Http://www.100y.com.tw

**Vertical type die-cast material backshell  
for larger diameter cable  
PCS-E( )LK**

RoHS

1.27 mm pitch connector

Backshell

Vertical

EMI-filtered

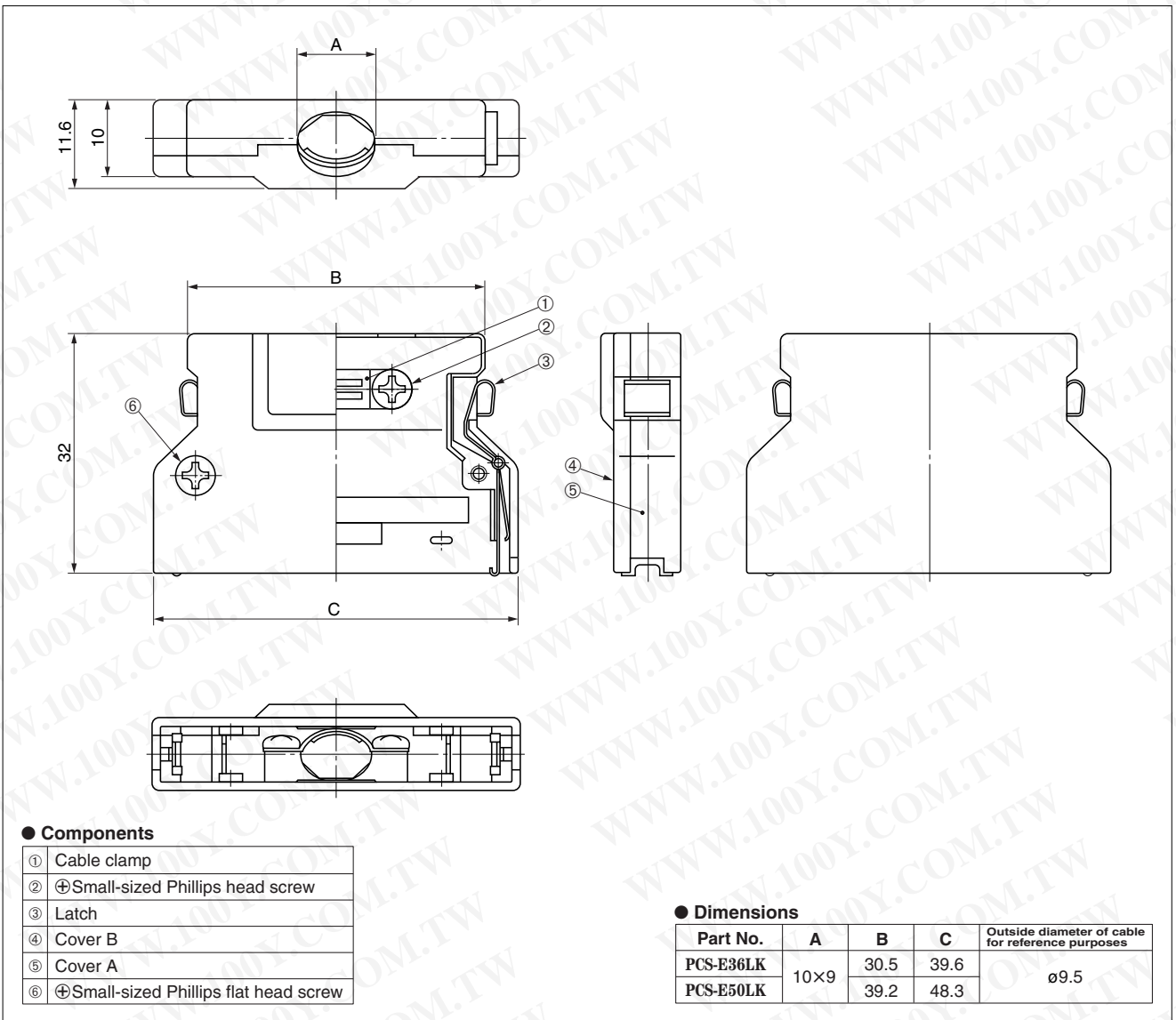


● Configuration of product Part No.

**PCS-E ( ) LK**

① ② ③

- ① Series name
- ② No. of contacts: 36 or 50
- ③ Type of backshell  
LK: Vertical type backshell for larger diameter cable



For use with connector: PCS-E series IDC type or soldering type female connector for cable  
PCS-XE series IDC type male connector for cable

Mating guide structure vertical type die-cast material backshell for standard cable  
 PCS-E( )LG( )

Backshell

Vertical

EMI-filtered

RoHS

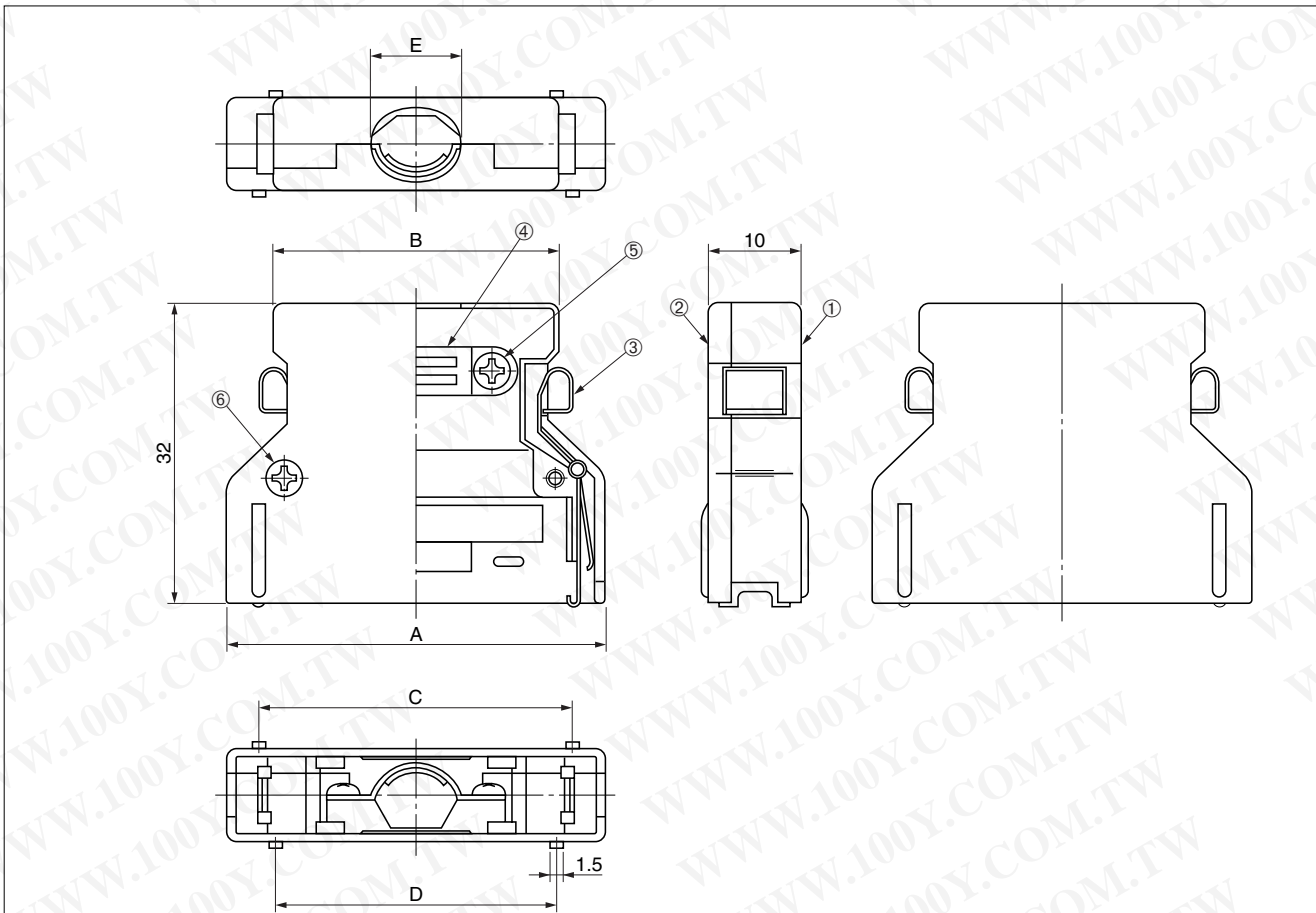


● Configuration of product Part No.

PCS-E ( ) LG ( )

① ② ③ ④

- ① Series name
- ② No. of contacts: 28, 36 or 50
- ③ Type of backshell  
 LG: Mating guide structure vertical type backshell for standard cable
- ④ Identification mark (A or B) of cable-end-outlet dimension.  
 Cable diameters for reference purposes are shown in the Dimension table below.



● Components

①	Cover A
②	Cover B
③	Latch
④	Cable clamp
⑤	⊕Small-sized Phillips head screw
⑥	⊕Small-sized Phillips flat head screw

● Dimensions

Part No.	A	B	C	D	E	Outside diameter of cable for reference purposes
PCS-E28LGB	35.0	25.3	30	16	8.5×9.5	ø9
PCS-E36LGA	40.2	30.5	34	31	7×7.5	ø7.5
PCS-E50LGA	48.9	39.2	42	39	7×8.5	ø8

Because some combinations of "Configurations of Product Part No.", are under consideration for development, please contact us for availability details.

For use with connector: PCS-E series IDC type or soldering type female connector for cable

PCS-XE series IDC type male connector for cable

Through hole SMT Press-in IDC Soldering Crimping Wire wrapping Others

勝特力材料 886-3-5753170  
 勝特力电子(上海) 86-21-34970699  
 勝特力电子(深圳) 86-755-83298787  
 Http://www.100y.com.tw

**Horizontal type die-cast material backshell for standard cable**  
**PCS-E( )W**

RoHS

1.27 mm pitch connector

Backshell

Horizontal

EMI-filtered

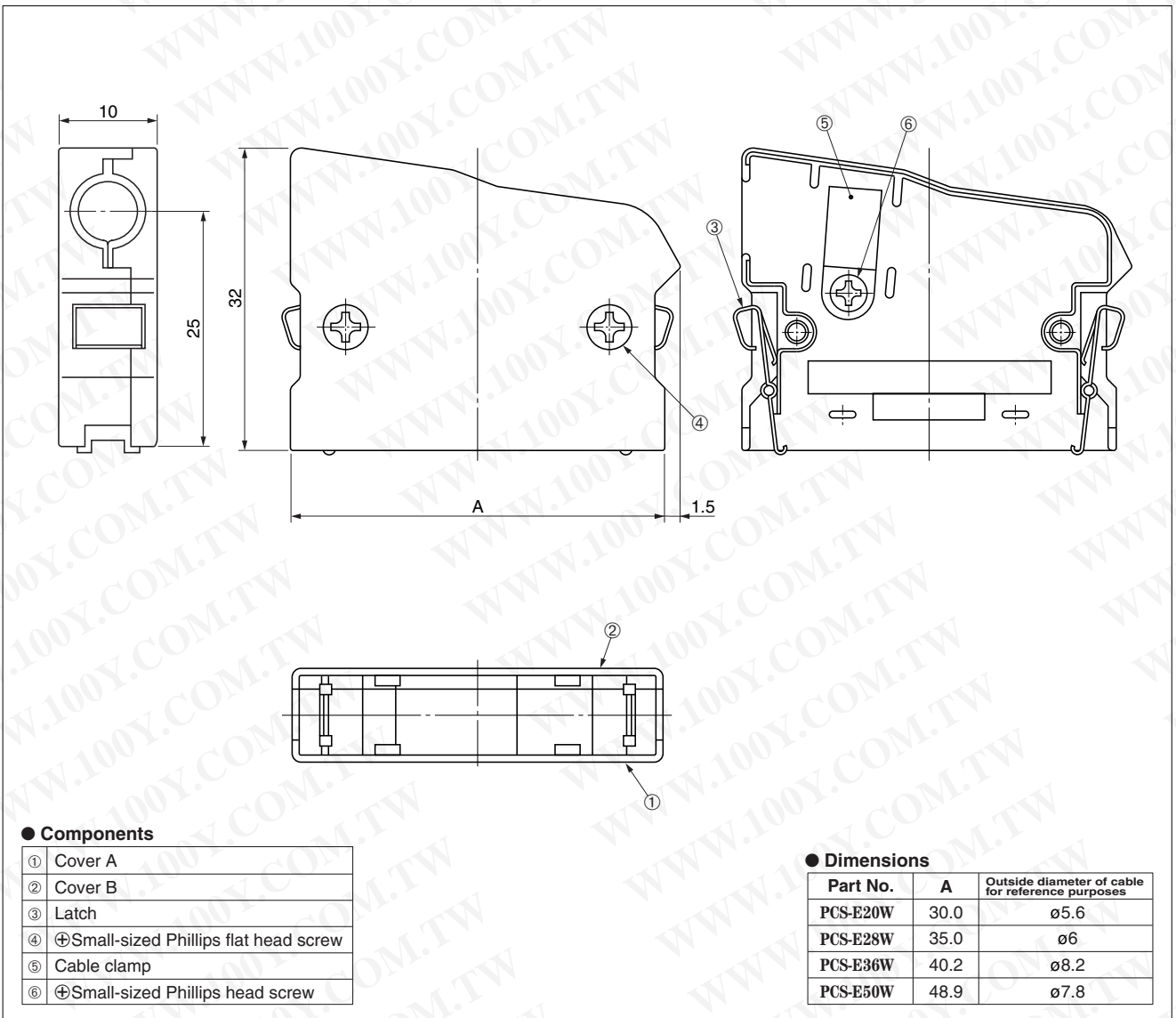


● Configuration of product Part No.

**PCS-E ( ) W**

① ② ③

- ① Series name
- ② No. of contacts: 20, 28, 36 or 50
- ③ Type of backshell  
 W: Horizontal type backshell for standard cable



For use with connector: PCS-E series IDC type or soldering type female connector for cable  
 PCS-XE series IDC type male connector for cable

勝特力材料 886-3-5753170  
 勝特力电子(上海) 86-21-34970699  
 勝特力电子(深圳) 86-755-83298787  
[Http://www.100y.com.tw](http://www.100y.com.tw)

Others Wire wrapping Crimping Soldering IDC Press-in SMT Through hole

Vertical type plastic backshell for flat cable  
PCS-E( )LT+

Backshell

Vertical

RoHS

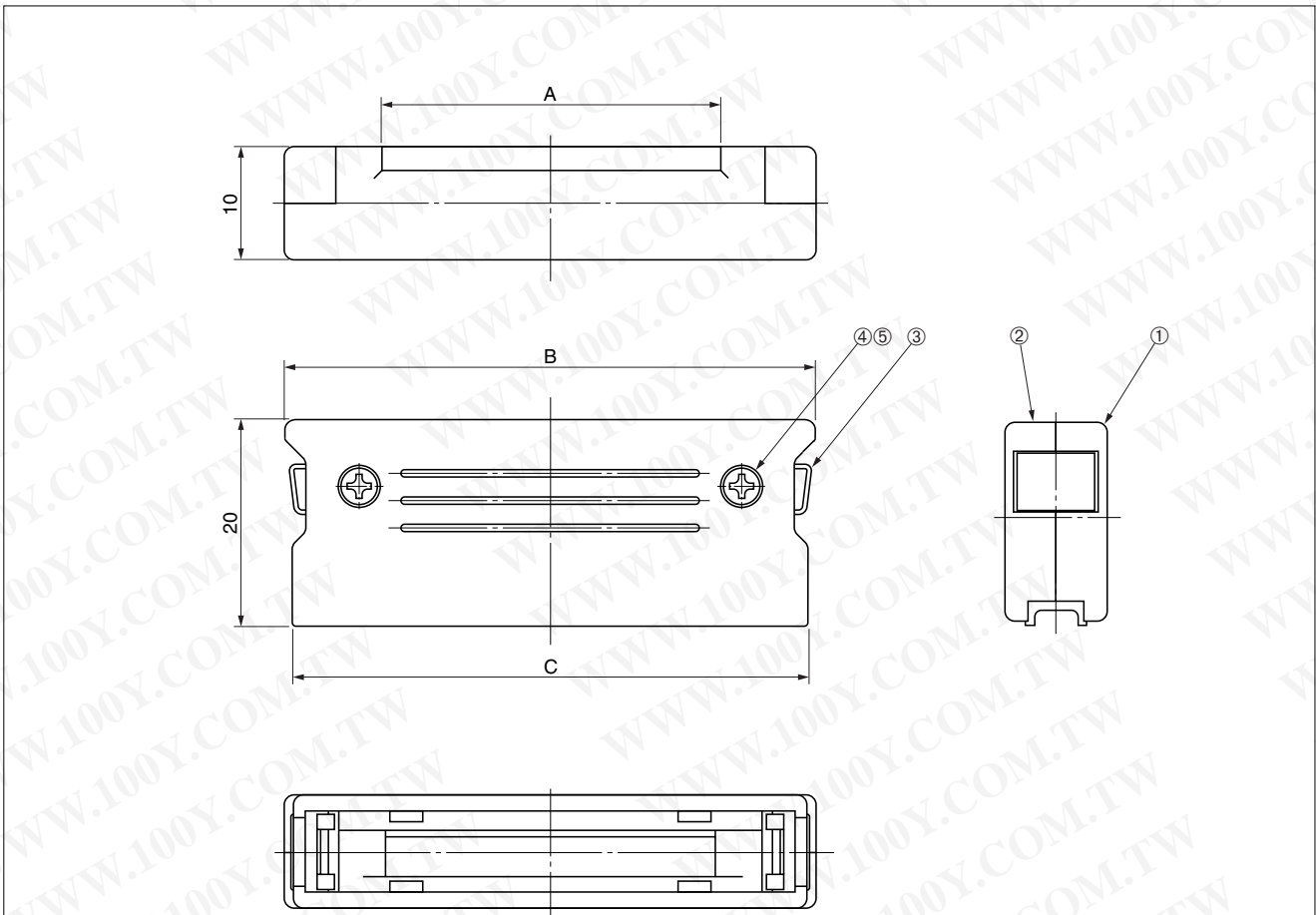


● Configuration of product Part No.

**PCS-E ( ) LT+**

① ② ③

- ① Series name
- ② No. of contacts: 20, 28, 36 or 50
- ③ Type of backshell  
LT: Vertical type backshell for flat cable



● Components

①	Cover B
②	Cover A
③	Latch
④	⊕ Small-sized Phillips head screw
⑤	Hex nuts

● Dimensions

Part No.	A	B	C
PCS-E20LT+	13.1	32.0	30.0
PCS-E28LT+	18.3	37.0	35.0
PCS-E36LT+	23.4	42.2	40.2
PCS-E50LT+	32.2	50.9	48.9

For use with connector: PCS-E series IDC type female connector for cable  
PCS-XE series IDC type male connector for cable

- Through hole
- SMT
- Press-in
- IDC
- Soldering
- Crimping
- Wire wrapping
- Others

勝特力材料 886-3-5753170  
 勝特力电子(上海) 86-21-34970699  
 勝特力电子(深圳) 86-755-83298787  
[Http://www.100y.com.tw](http://www.100y.com.tw)

**Vertical type die-cast material backshell  
for cable extension**  
PCS-E( )PML( )

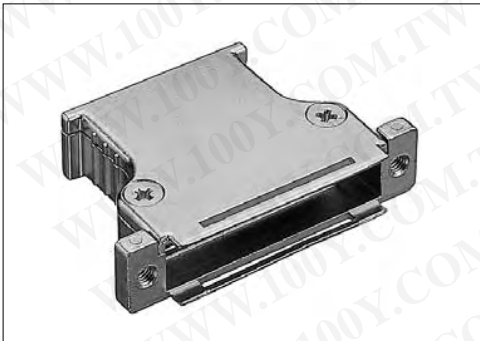
RoHS

1.27 mm pitch connector

Backshell

Vertical

EMI-filtered

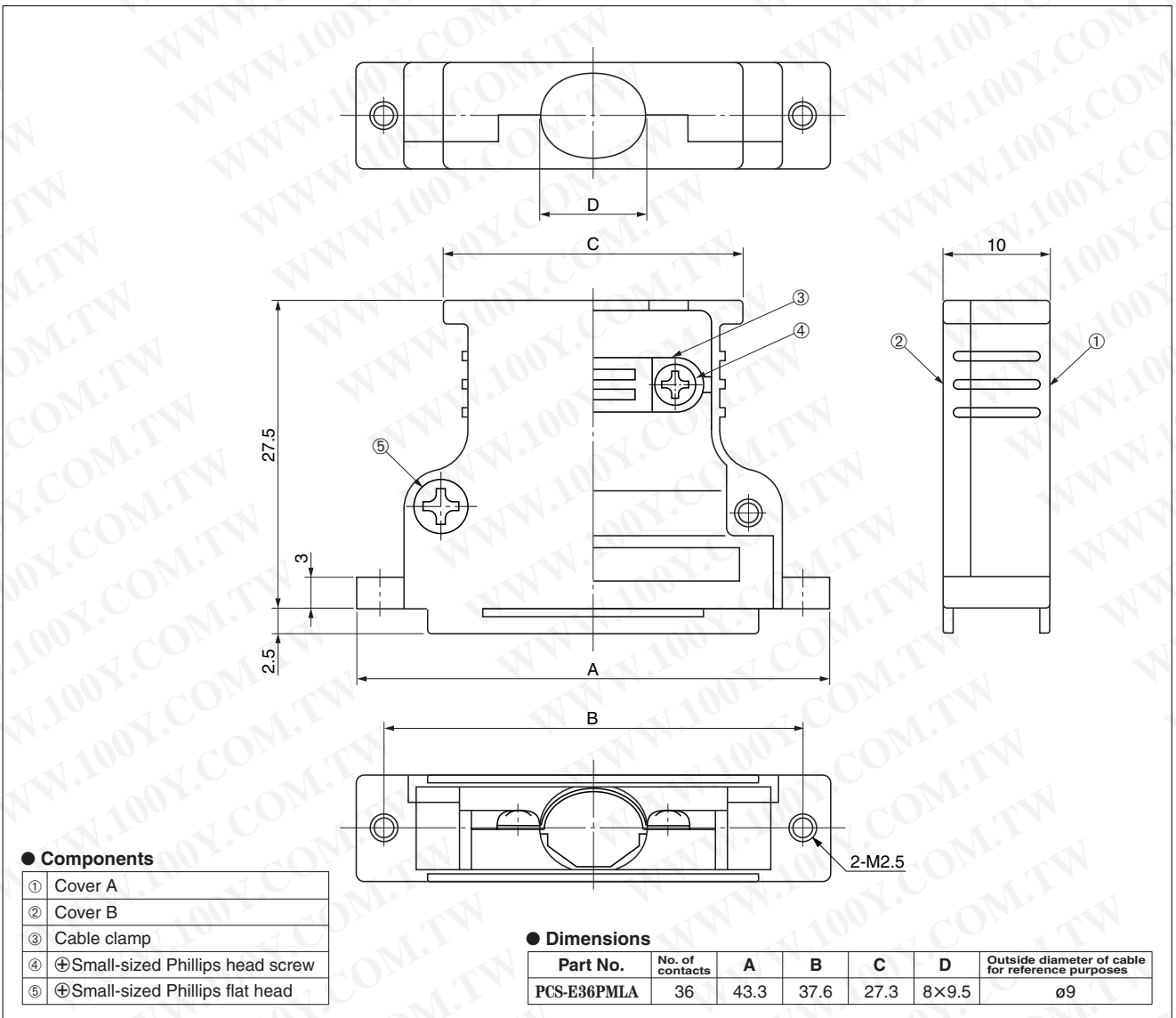


● Configuration of product Part No.

**PCS-E ( ) PML ( )**

① ② ③ ④

- ① Series name
- ② No. of contacts: 36
- ③ Type of backshell  
PML: Vertical type backshell for PCS-E( )PM( )-H
- ④ Outside diameter of cable for reference purpose  
A: 9 mm diameter



● Components

①	Cover A
②	Cover B
③	Cable clamp
④	⊕Small-sized Phillips head screw
⑤	⊕Small-sized Phillips flat head

● Dimensions

Part No.	No. of contacts	A	B	C	D	Outside diameter of cable for reference purposes
PCS-E36PMLA	36	43.3	37.6	27.3	8×9.5	ø9

For use with connector: PCS-E( )PM( )-H

勝特力材料 886-3-5753170  
 勝特力电子(上海) 86-21-34970699  
 勝特力电子(深圳) 86-755-83298787  
[Http://www.100y.com.tw](http://www.100y.com.tw)

Others Wire wrapping Crimping Soldering IDC Press-in SMT Through hole

**Vertical type die-cast material backshell for standard cable with provision for preventing misinsertion**  
**PCS-E ( ) LP ( ) - ( ) +R**

RoHS

1.27 mm pitch connector

Backshell

Vertical

EMI-filtered

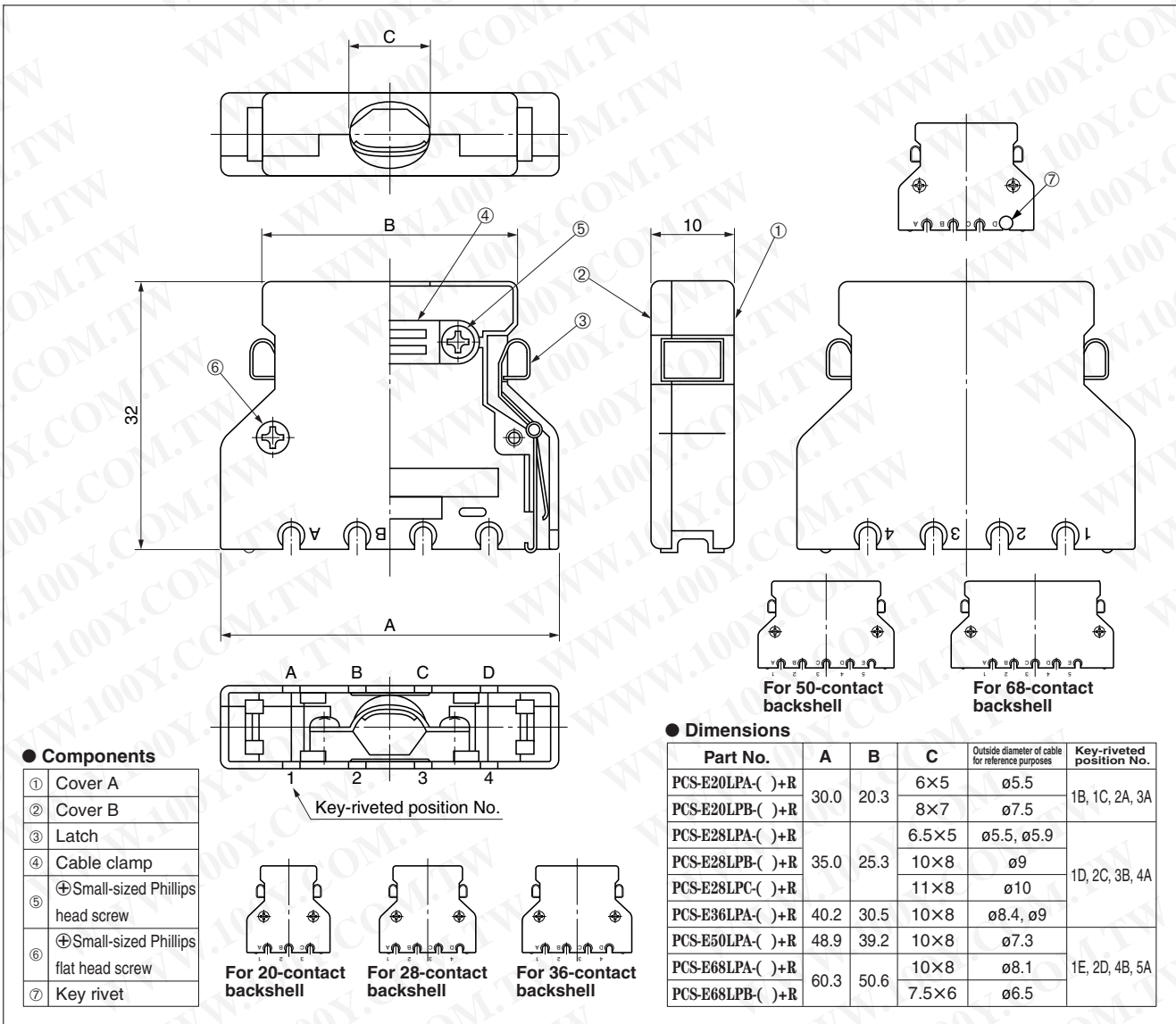


● Configuration of product Part No.

**PCS-E ( ) LP ( ) - ( ) +R**

① ② ③ ④ ⑤

- ① Series name
- ② No. of contacts: 20, 28, 36, 50 or 68
- ③ Type of backshell  
LP: Vertical type backshell for standard cables with provision for preventing misinsertion
- ④ Identification mark (A, B or C) of cable-end-outlet dimension. Cable diameters for reference purposes are shown in the Dimension table as shown below.
- ⑤ Key-riveted position (Refer to the Dimension table as shown below) for preventing misinsertion.



For use with connector: PCS-E series IDC type or soldering type female connector for cable

PCS-XE series IDC type male connector for cable

Accessories: Key-rivets for preventing misinsertion, PCS-E-PK+R

Through hole SMT Press-in IDC Soldering Crimping Wire wrapping Others

勝特力材料 886-3-5753170  
 勝特力电子(上海) 86-21-34970699  
 勝特力电子(深圳) 86-755-83298787  
 Http://www.100y.com.tw

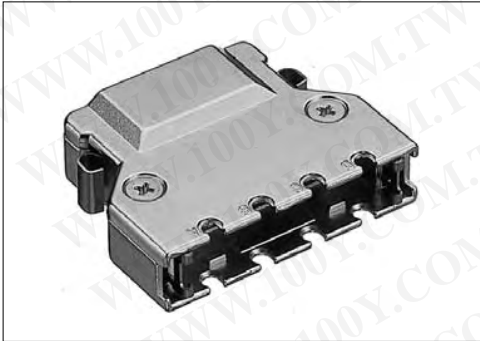
**Vertical type die-cast material backshell for larger diameter cable with provision for preventing misinsertion**  
**PCS-E( )LKP( )-( )+R**

Backshell

Vertical

EMI-filtered

RoHS

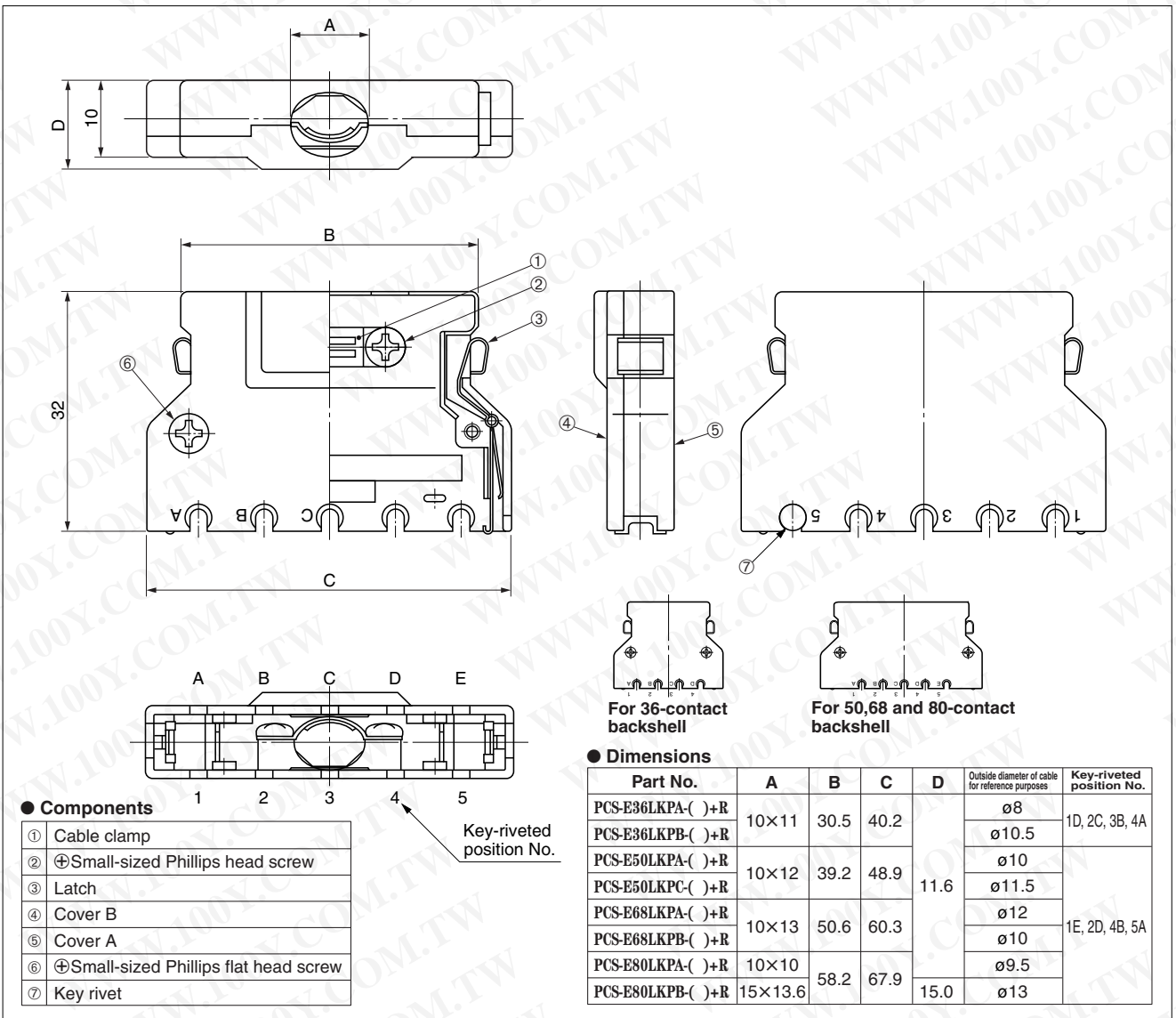


● Configuration of product Part No.

**PCS-E ( ) LKP ( )- ( )+R**

① ② ③ ④ ⑤

- ① Series name
- ② No. of contacts: 36, 50, 68 or 80
- ③ Type of backshell  
LKP: Vertical type backshell for larger diameter cables with provision for preventing misinsertion
- ④ Identification mark (A, B or C) of cable-end-outlet dimension. Cable diameters for reference purposes are shown in the Dimension table as shown below.
- ⑤ Key-riveted position (Refer to the Dimension table as shown below) for preventing misinsertion.



For use with connector: PCS-E series IDC type or soldering type female connector for cable

PCS-XE series IDC type male connector for cable

Accessories: Key-rivets for preventing misinsertion, PCS-E-PK+R

勝特力材料 886-3-5753170  
 勝特力电子(上海) 86-21-34970699  
 勝特力电子(深圳) 86-755-83298787  
 Http://www.100y.com.tw

Others Wire wrapping Crimping Soldering IDC Press-in SMT Through hole

**Vertical type die-cast material backshell for larger diameter cable with mating guide for preventing misinsertion**  
**PCS-E96LKP( )-( )+R**

Backshell

Vertical

EMI-filtered

RoHS

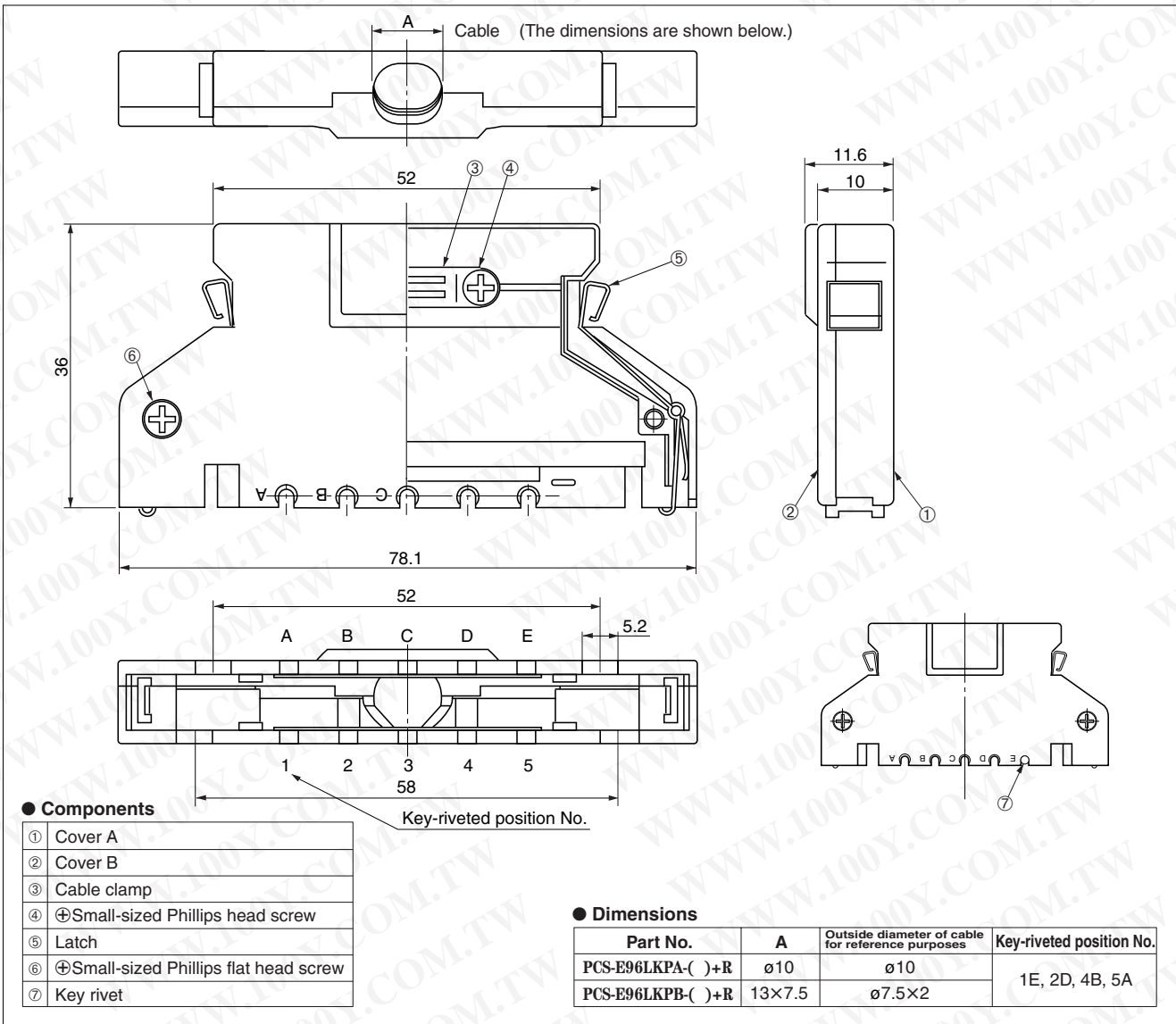


● Configuration of product Part No.

**PCS-E 96 LKP ( )- ( )+R**

① ② ③ ④ ⑤

- ① Series name
- ② No. of contacts: 96
- ③ Type of backshell  
LKP: Vertical type backshell for larger diameter cables with provision for preventing misinsertion
- ④ Identification mark (A or B) of cable-end-outlet dimension. Cable diameters for reference purposes are shown in the Dimension table as shown below.
- ⑤ Key-riveted position (Refer to the Dimension table as shown below) for preventing misinsertion.



For use with connector: PCS-E series IDC type female connector for cable

PCS-XE series IDC type male connector for cable

Accessories: Key-rivets for preventing misinsertion, PCS-E-PK+R

- Through hole
- SMT
- Press-in
- IDC
- Soldering
- Crimping
- Wire wrapping
- Others

勝特力材料 886-3-5753170  
 勝特力电子(上海) 86-21-34970699  
 勝特力电子(深圳) 86-755-83298787  
[Http://www.100y.com.tw](http://www.100y.com.tw)

**Vertical type die-cast material backshell for larger diameter cable with provision for preventing misinsertion**  
**PCS-E96LKP1A-( )+R**

Backshell

Vertical

EMI-filtered

RoHS

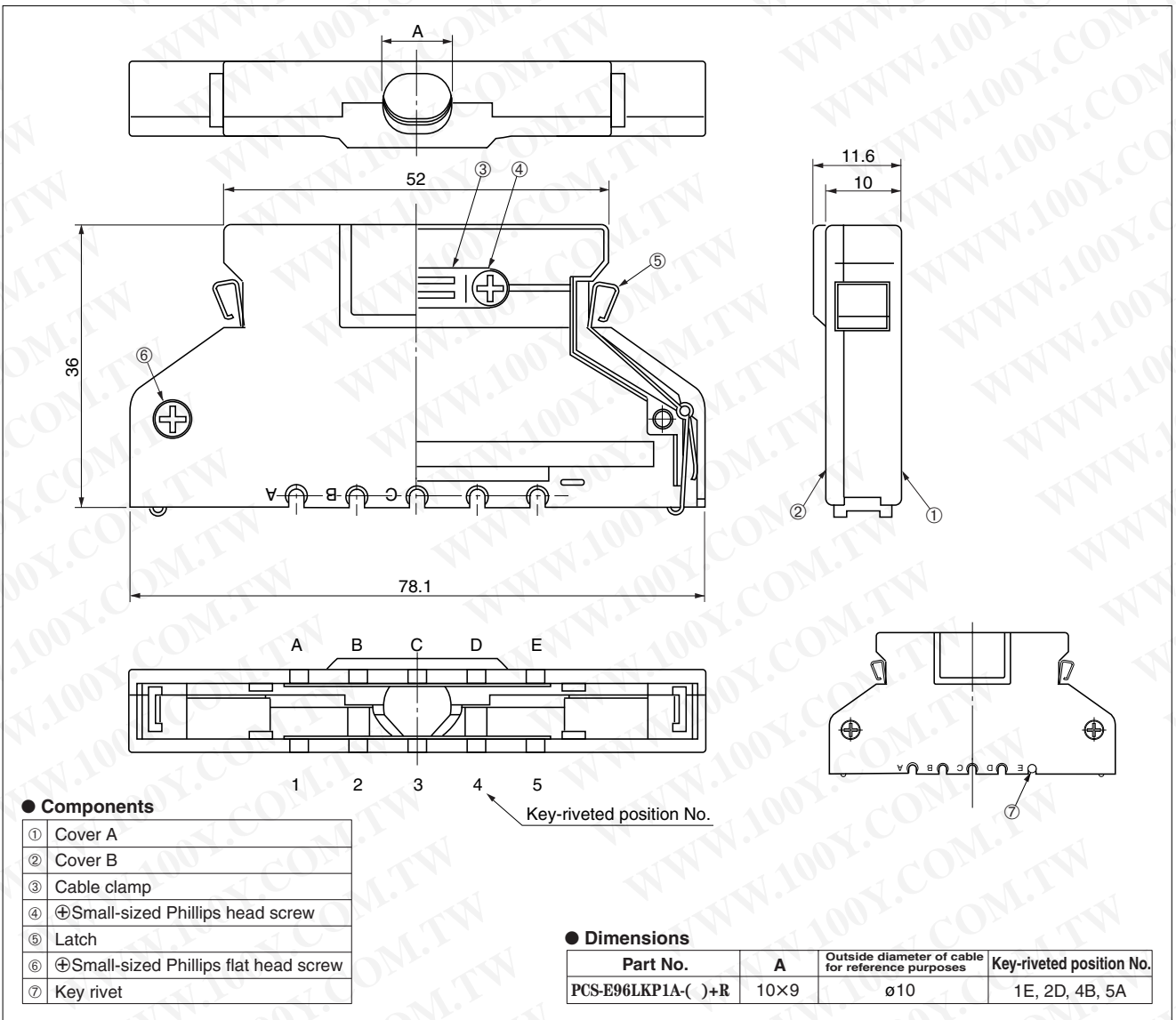


● Configuration of product Part No.

**PCS-E 96 LKP1 A- ( )+R**

① ② ③ ④ ⑤

- ① Series name
- ② No. of contacts: 96
- ③ Type of backshell  
LKP1: Vertical type backshell for larger diameter cables with provision for preventing misinsertion
- ④ Identification mark (A) of cable-end-outlet dimension. Cable diameters for reference purposes are shown in the Dimension table as shown below.
- ⑤ Key-riveted position (Refer to the Dimension table as shown below) for preventing misinsertion.



● Components

①	Cover A
②	Cover B
③	Cable clamp
④	⊕Small-sized Phillips head screw
⑤	Latch
⑥	⊕Small-sized Phillips flat head screw
⑦	Key rivet

● Dimensions

Part No.	A	Outside diameter of cable for reference purposes	Key-riveted position No.
PCS-E96LKP1A-( )+R	10×9	ø10	1E, 2D, 4B, 5A

For use with connector: PCS-E series IDC type female connector for cable

PCS-XE series IDC type male connector for cable

Accessories: Key-rivets for preventing misinsertion, PCS-E-PK+R

勝特力材料 886-3-5753170  
 勝特力电子(上海) 86-21-34970699  
 勝特力电子(深圳) 86-755-83298787  
 Http://www.100y.com.tw

Others   Wire wrapping   Crimping   Soldering   IDC   Press-in   SMT   Through hole

**Vertical type die-cast material backshell for standard cable with mating guide for preventing misinsertion**  
**PCS-E ( ) LGP ( ) - ( ) +R**

Backshell

Vertical

EMI-filtered

RoHS

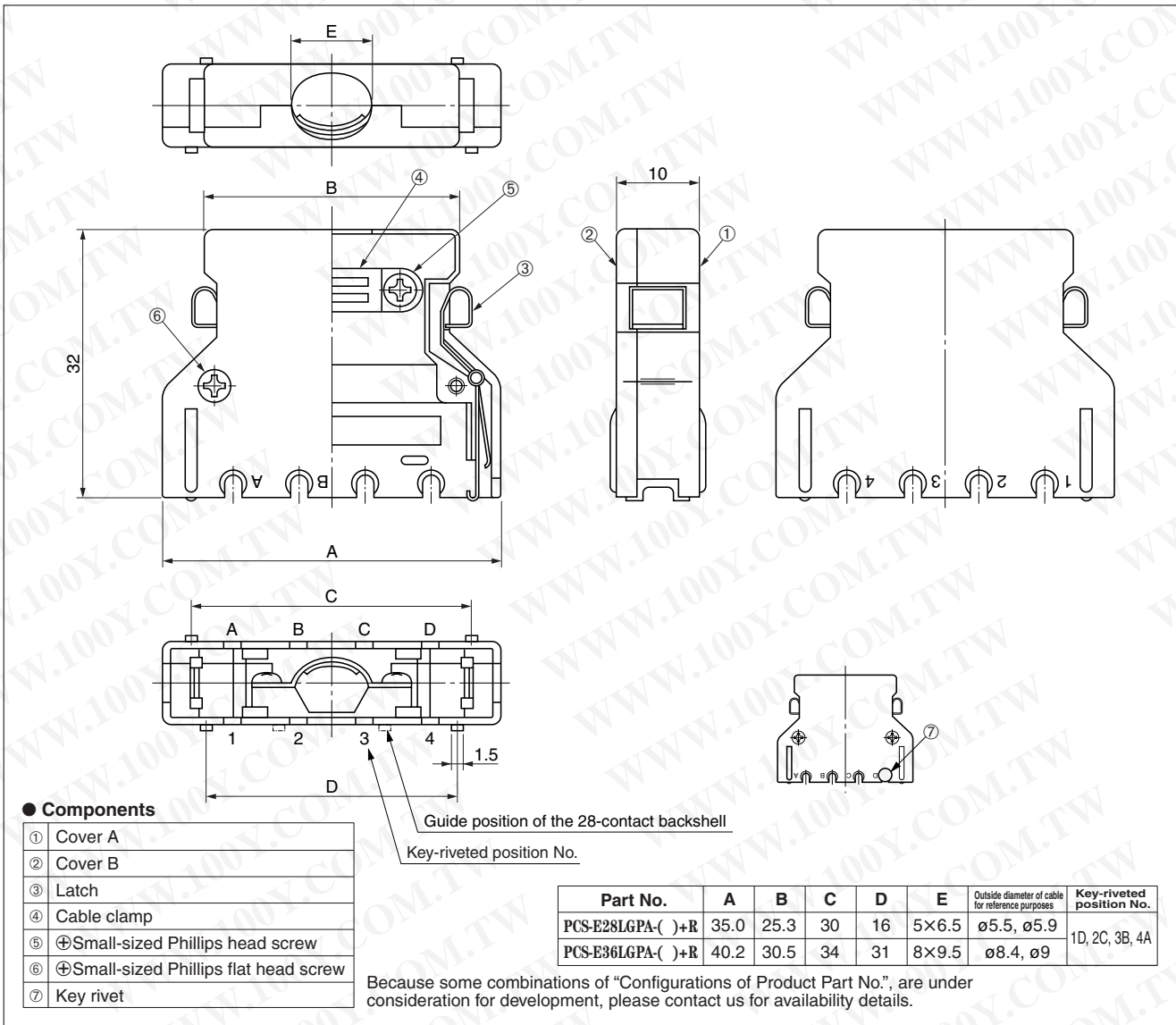


● Configuration of product Part No.

**PCS-E ( ) LGP ( ) - ( ) +R**

① ② ③ ④ ⑤

- ① Series name
- ② No. of contacts: 26 or 36
- ③ Type of backshell  
LGP: Vertical type backshell for standard cables with mating guide for preventing misinsertion
- ④ Identification mark (A) of cable-end-outlet dimension. Cable diameters for reference purposes are shown in the Dimension table as shown below.
- ⑤ Key-riveted position (Refer to the Dimension table as shown below) for preventing misinsertion.



For use with connector: PCS-E series IDC type or soldering type female connector for cable

PCS-XE series IDC type male connector for cable

Accessories: Key-rivets for preventing misinsertion, PCS-E-PK+R

Through hole SMT Press-in IDC Soldering Crimping Wire wrapping Others

勝特力材料 886-3-5753170  
 勝特力电子(上海) 86-21-34970699  
 勝特力电子(深圳) 86-755-83298787  
 Http://www.100y.com.tw

**Horizontal type die-cast material backshell for standard cable with provision for preventing misinsertion**  
**PCS-E( )WSP-( )+R**

Backshell

Horizontal

EMI-filtered

RoHS

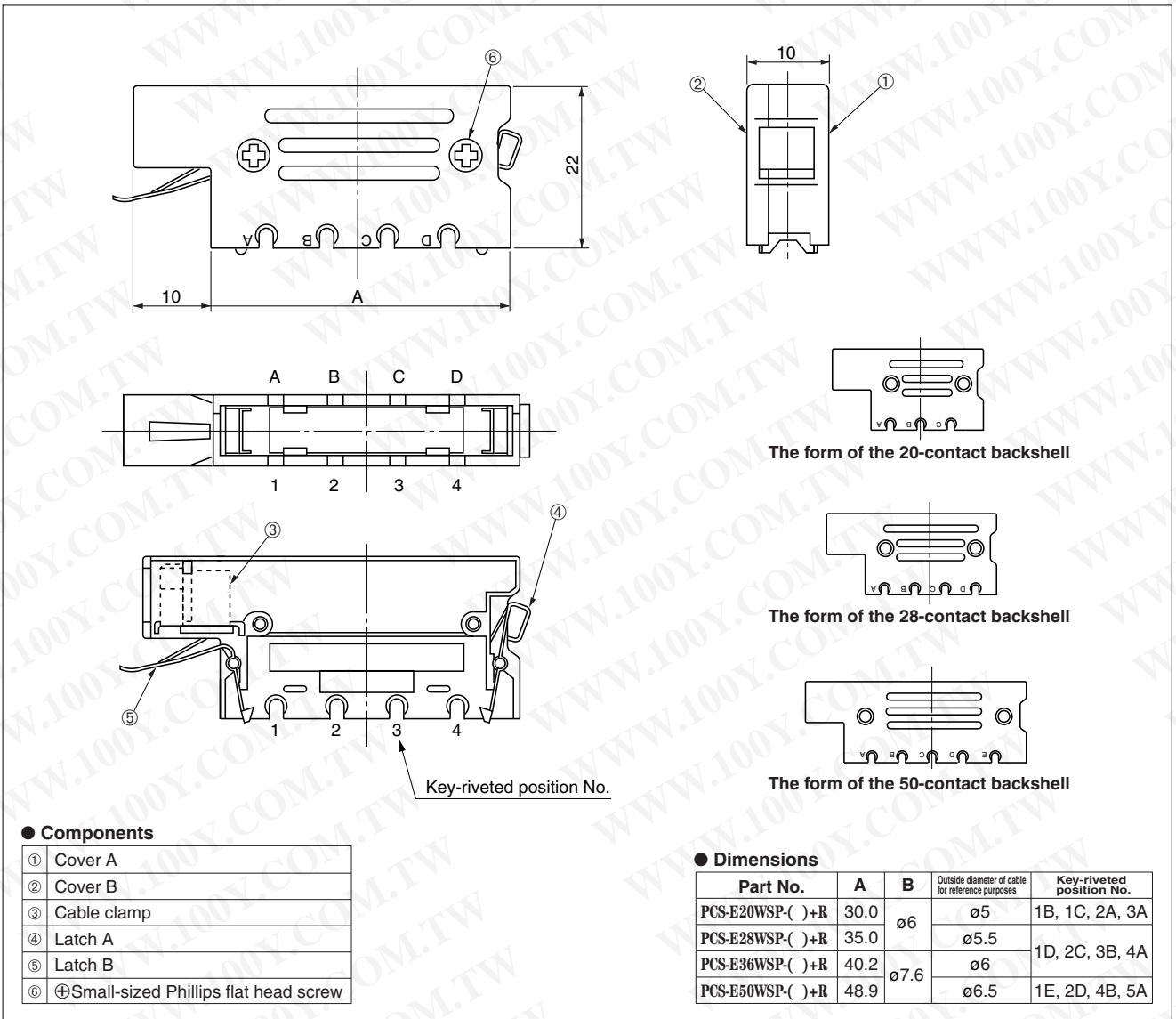


● Configuration of product Part No.

**PCS-E ( ) WSP- ( )+R**

① ② ③ ④

- ① Series name
- ② No. of contacts: 20, 28, 36 or 50
- ③ Type of backshell  
WSP: Horizontal type backshell for standard cables with mating guide for preventing misinsertion
- ④ Key-riveted position (Refer to the Dimension table as shown below) for preventing misinsertion.



● Components

①	Cover A
②	Cover B
③	Cable clamp
④	Latch A
⑤	Latch B
⑥	⊕Small-sized Phillips flat head screw

● Dimensions

Part No.	A	B	Outside diameter of cable for reference purposes	Key-riveted position No.
PCS-E20WSP-( )+R	30.0	ø6	ø5	1B, 1C, 2A, 3A
PCS-E28WSP-( )+R	35.0		ø5.5	1D, 2C, 3B, 4A
PCS-E36WSP-( )+R	40.2	ø7.6	ø6	
PCS-E50WSP-( )+R	48.9		ø6.5	1E, 2D, 4B, 5A

For use with connector: PCS-E series IDC type or soldering type female connector for cable

PCR series IDC type or soldering type female connector for cable

PCS-XE series IDC type male connectors for cable

Accessories: Key-rivets for preventing misinsertion, PCS-E-PK+R

勝特力材料 886-3-5753170  
 勝特力电子(上海) 86-21-34970699  
 勝特力电子(深圳) 86-755-83298787  
 Http://www.100y.com.tw

Others Wire wrapping Crimping Soldering IDC Press-in SMT Through hole

**Horizontal type die-cast material backshell for larger diameter cable with provision for preventing misinsertion**  
**PCS-E( )WKP( )-( )+R**

**Backshell**

**Horizontal**

**EMI-filtered**

RoHS



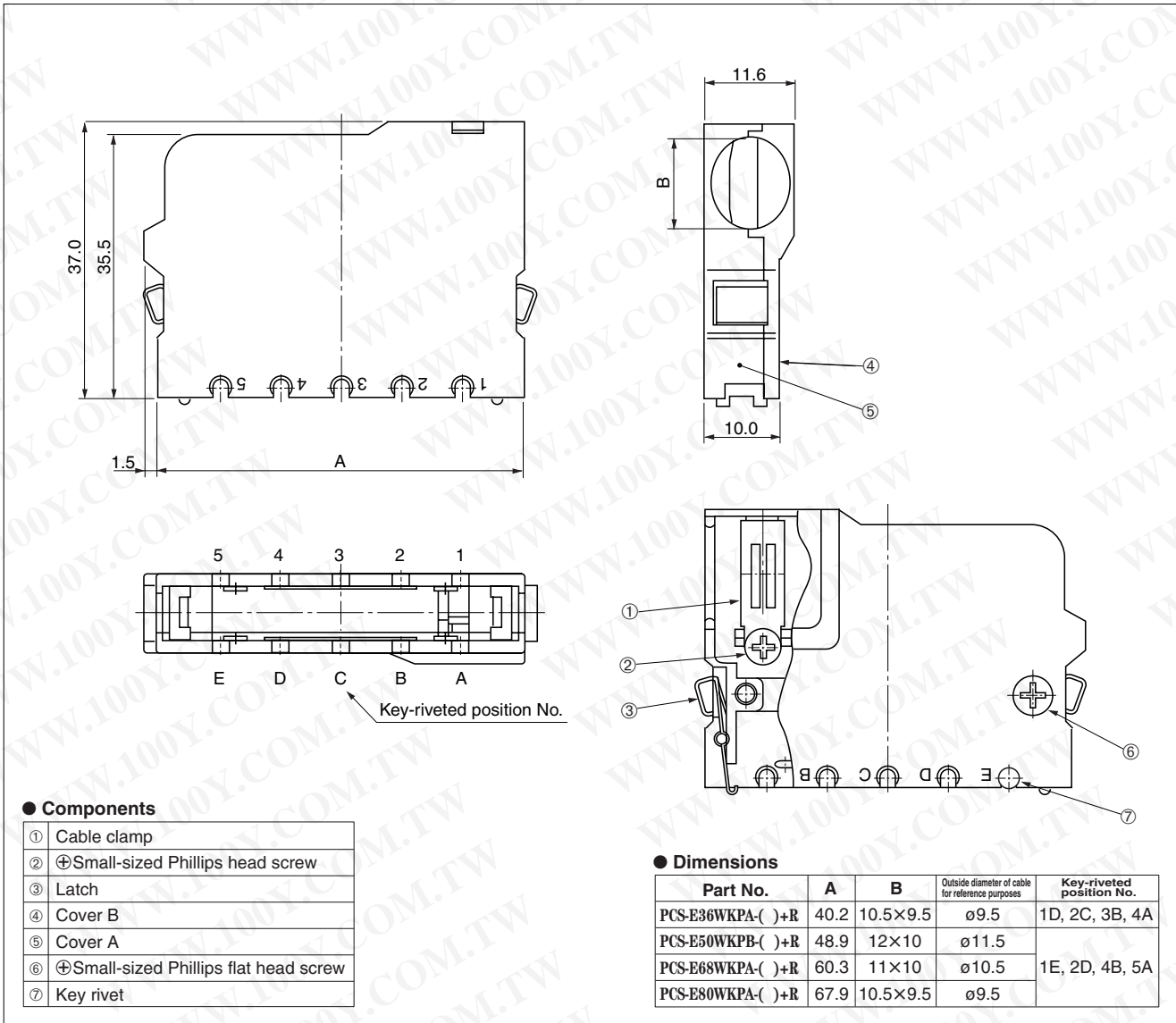
● Configuration of product Part No.

**PCS-E ( ) WKP ( ) - ( ) +R**

① ② ③ ④ ⑤

- ① Series name
- ② No. of contacts: 36, 50, 68, 80
- ③ Type of backshell  
WKP: Horizontal type backshell for larger diameter cables with mating guide for preventing misinsertion

- ④ Identification mark (A or B) of cable-end-outlet dimension. Cable diameters for reference purposes are shown in the Dimension table as shown below.
- ⑤ Key-riveted position (Refer to the Dimension table as shown below) for preventing misinsertion.



● Components

①	Cable clamp
②	⊕Small-sized Phillips head screw
③	Latch
④	Cover B
⑤	Cover A
⑥	⊕Small-sized Phillips flat head screw
⑦	Key rivet

● Dimensions

Part No.	A	B	Outside diameter of cable for reference purposes	Key-riveted position No.
PCS-E36WKPA-( )+R	40.2	10.5×9.5	ø9.5	1D, 2C, 3B, 4A
PCS-E50WKPB-( )+R	48.9	12×10	ø11.5	
PCS-E68WKPA-( )+R	60.3	11×10	ø10.5	1E, 2D, 4B, 5A
PCS-E80WKPA-( )+R	67.9	10.5×9.5	ø9.5	

For use with connector: PCS-E series IDC type or soldering type female connector for cable

PCS-XE series IDC type male connector for cable

Accessories: Key-rivets for preventing misinsertion, PCS-E-PK+R

Through hole SMT Press-in IDC Soldering Crimping Wire wrapping Others

勝特力材料 886-3-5753170  
 勝特力电子(上海) 86-21-34970699  
 勝特力电子(深圳) 86-755-83298787  
 Http://www.100y.com.tw

**Horizontal type die-cast material backshell for larger diameter cable with provision for preventing misinsertion**  
**PCS-E96WKP( )-( )+R**

RoHS

Backshell

Horizontal

EMI-filtered

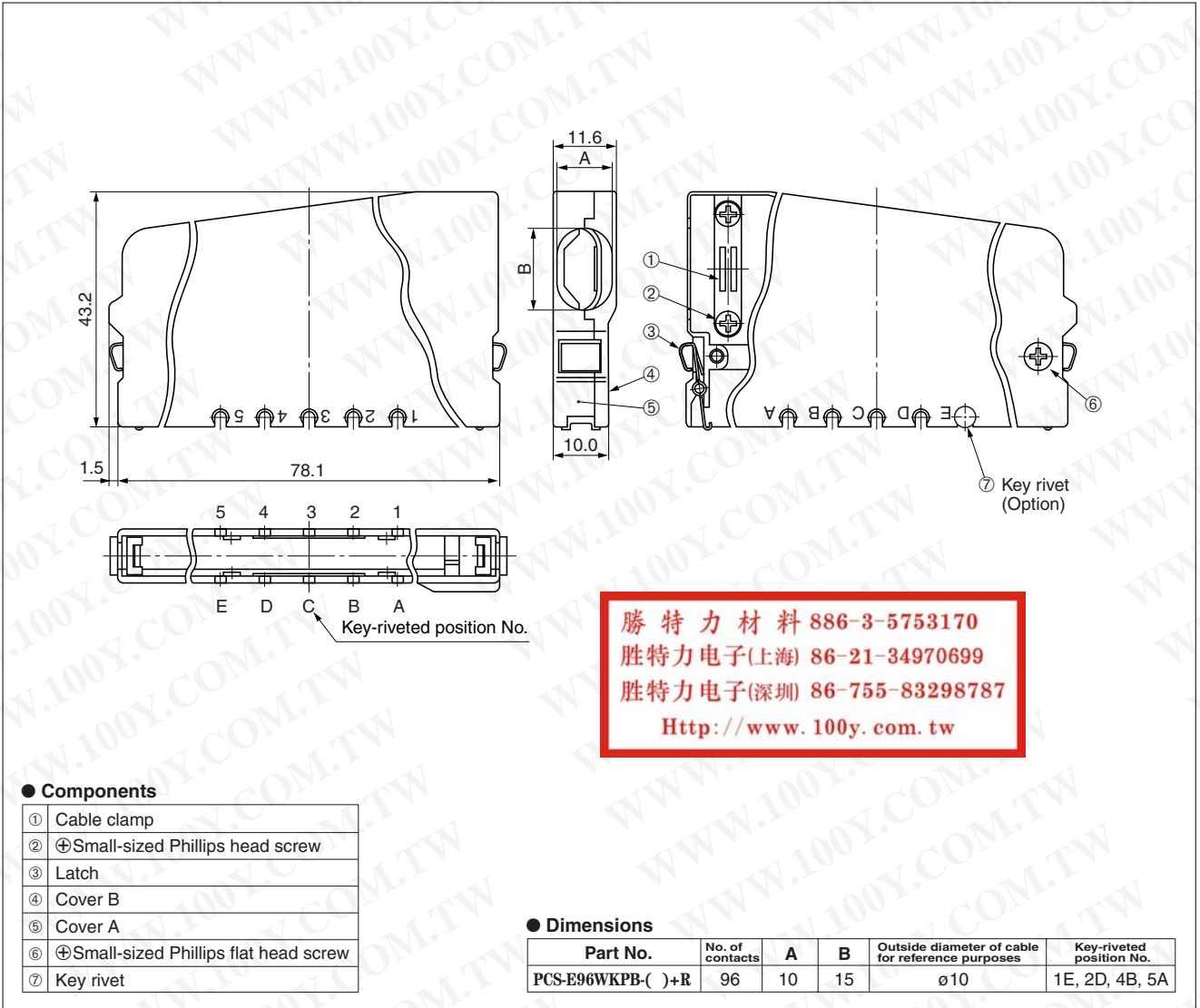


● Configuration of product Part No.

**PCS-E 96 WKP ( )- ( )+R**

① ② ③ ④ ⑤

- ① Series name
- ② No. of contacts: 96
- ③ Type of backshell  
WKP: Horizontal type backshell for larger diameter cables with mating guide for preventing misinsertion
- ④ Identification mark (B) of cable-end-outlet dimension.  
Cable diameters for reference purposes are shown in the Dimension table as shown below.
- ⑤ Key-riveted position (Refer to the Dimension table as shown below) for preventing misinsertion.



勝特力材料 886-3-5753170  
 勝特力电子(上海) 86-21-34970699  
 勝特力电子(深圳) 86-755-83298787  
[Http://www.100y.com.tw](http://www.100y.com.tw)

● Components

①	Cable clamp
②	⊕Small-sized Phillips head screw
③	Latch
④	Cover B
⑤	Cover A
⑥	⊕Small-sized Phillips flat head screw
⑦	Key rivet

● Dimensions

Part No.	No. of contacts	A	B	Outside diameter of cable for reference purposes	Key-riveted position No.
PCS-E96WKP( )+R	96	10	15	φ10	1E, 2D, 4B, 5A

For use with connector: PCS-E series IDC type or soldering type female connector for cable

PCR series IDC type or soldering type female connector for cable

PCS-XE series IDC type male connector for cable

Accessories: Key-rivets for preventing misinsertion, PCS-E-PK+R

**Vertical type die-cast material backshell for flat cable with provision for preventing misinsertion**  
**PCS-E( )LTP-( )+R**

Backshell

Vertical

RoHS



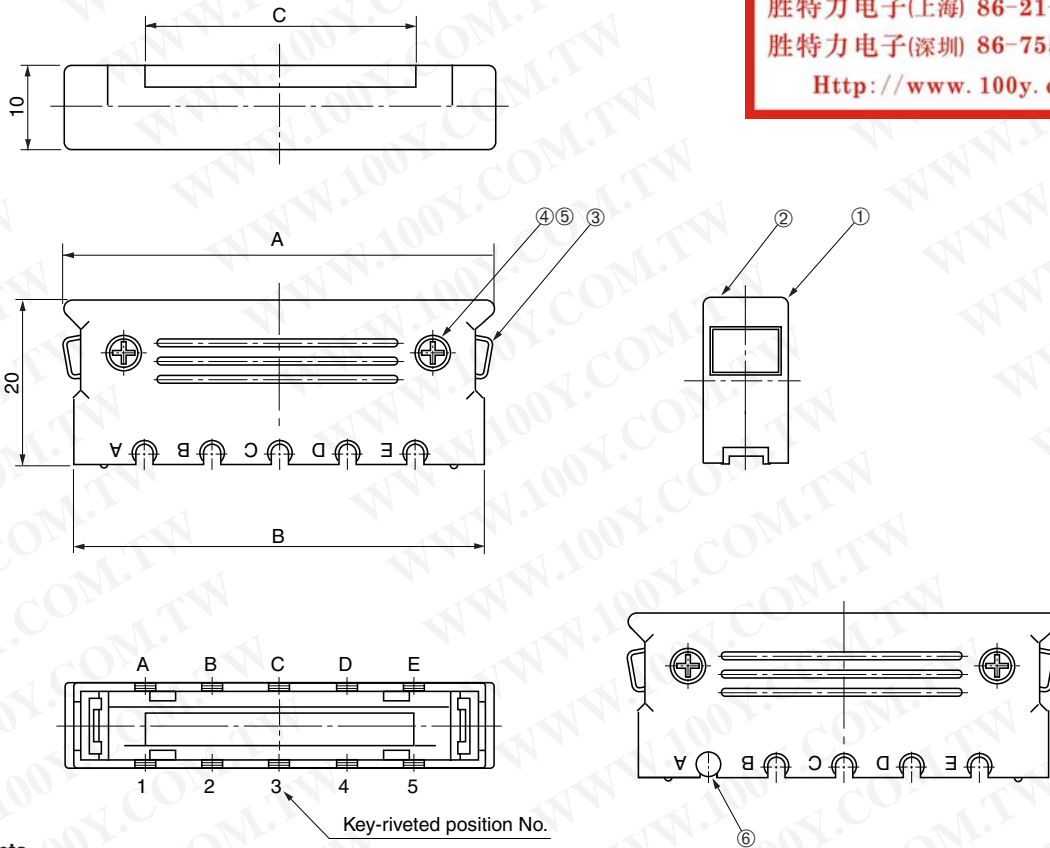
● Configuration of product Part No.

**PCS-E ( ) LTP- ( )+R**

① ② ③ ④

- ① Series name
- ② No. of contacts: 50 or 68
- ③ Type of backshell  
LTP: Vertical type backshell for flat cables with mating guide for preventing misinsertion
- ④ Key-riveted position (Refer to the Dimension table as shown below) for preventing misinsertion.

勝特力材料 886-3-5753170  
 勝特力电子(上海) 86-21-34970699  
 勝特力电子(深圳) 86-755-83298787  
[Http://www.100y.com.tw](http://www.100y.com.tw)



● Components

①	Cover B
②	Cover A
③	Latch
④	Cable clamp
⑤	⊕Small-sized Phillips head screw
⑥	Hex nuts
⑦	Key rivet

● Dimensions

Part No.	A	B	C	Key-riveted position No.
PCS-E50LTP-( )+R	50.9	48.9	32.2	1E, 2D, 4B, 5A
PCS-E68LTP-( )+R	62.3	60.3	43.5	

For use with connector: PCS-E series IDC type female connector for cable

PCS-XE series IDC type male connector for cable

Accessories: Key-rivets for preventing misinsertion, PCS-E-PK+R

- Through hole
- SMT
- Press-in
- IDC
- Soldering
- Crimping
- Wire wrapping
- Others

**Vertical type die-cast material backshell for larger diameter cable**  
**PCS-E68LKAU2N**

RoHS

1.27 mm pitch connector

Backshell

Vertical

SCSI-III

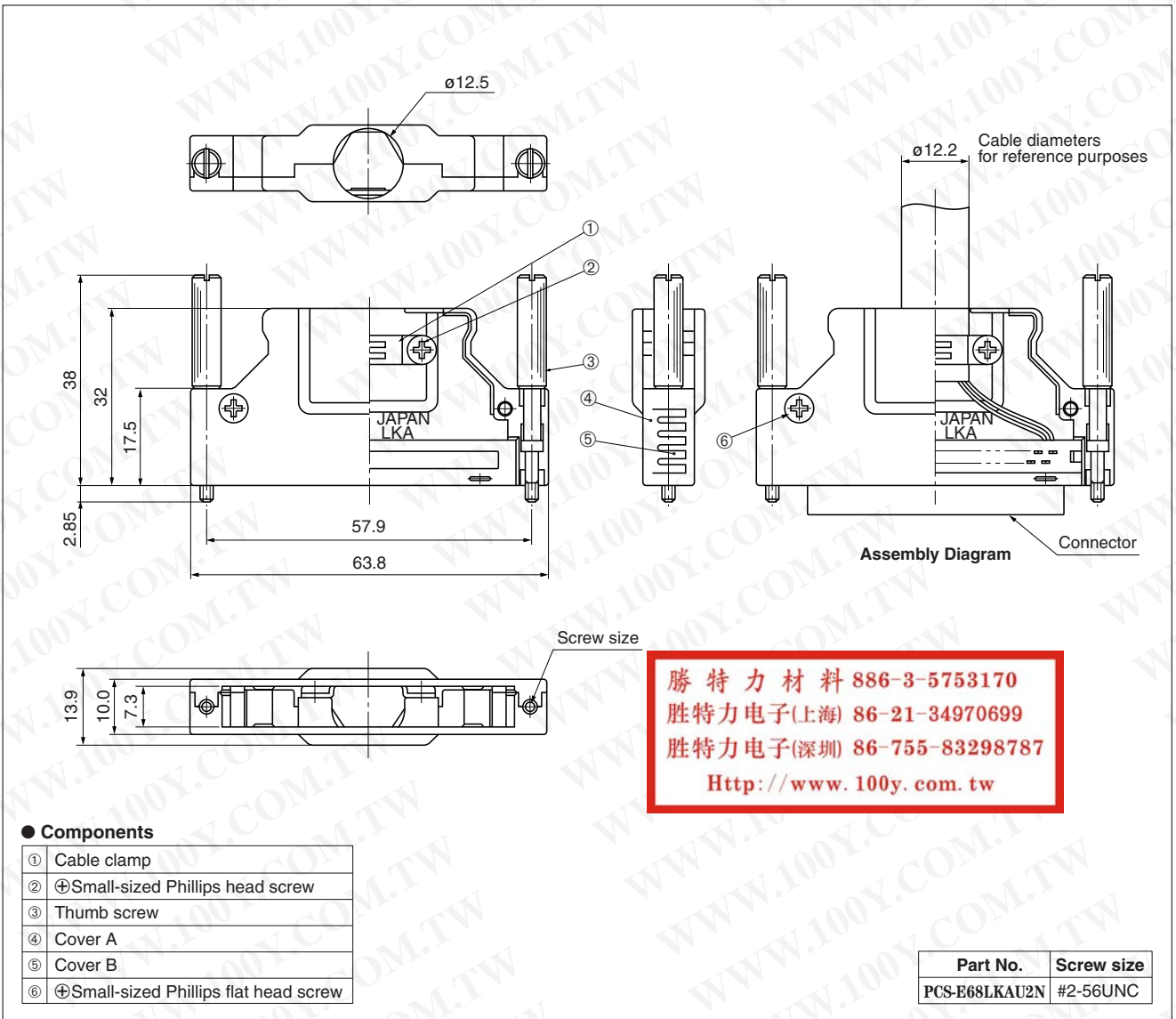


● Configuration of product Part No.

**PCS-E 68 LK A U2 N**

① ② ③ ④ ⑤ ⑥

- ① Series name
- ② No. of contacts: 68
- ③ Type of backshell: Vertical type backshell for larger diameter housing
- ④ Identification mark (A) of cable-end-outlet dimension. Cable diameters for reference purposes are shown below.
- ⑤ Screw size  
U2: #2-56UNC
- ⑥ Lock type  
N: Screw lock



勝特力材料 886-3-5753170  
 勝特力电子(上海) 86-21-34970699  
 勝特力电子(深圳) 86-755-83298787  
[Http://www.100y.com.tw](http://www.100y.com.tw)

● Components

①	Cable clamp
②	⊕ Small-sized Phillips head screw
③	Thumb screw
④	Cover A
⑤	Cover B
⑥	⊕ Small-sized Phillips flat head screw

Part No.	Screw size
PCS-E68LKAU2N	#2-56UNC

For use with connector: PCS-E series IDC type female connector  
 PCS-XE series IDC type male connector for cable

Vertical type over-molded backshell  
PCS-XEM( )DL( )( )N

Backshell

Vertical

SCSI-III

RoHS



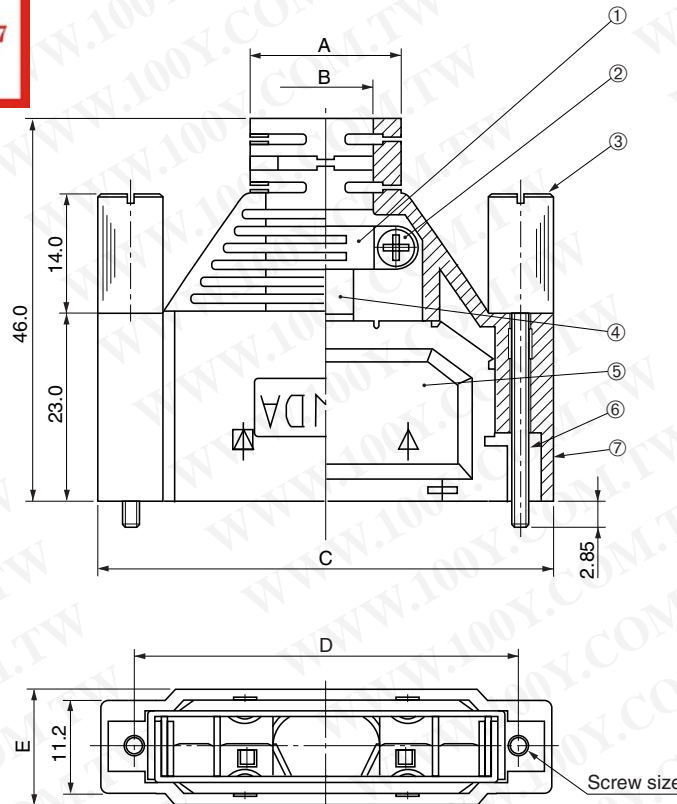
● Configuration of product Part No.

PCS-XEM ( ) DL ( ) ( ) N

① ② ③ ④ ⑤ ⑥

- ① Series name
- ② No. of contacts: 50 or 68
- ③ Type of backshell  
DL: Vertical type backshell
- ④ Color of hood  
Blank: Black  
1 : Beige  
2 : Green  
3 : Grey
- ⑤ Screw size  
Blank: M2.5×0.45  
U : #4-40UNC  
U2 : #2-56UNC (standard)
- ⑥ Lock type  
N: Screw lock

勝特力材料 886-3-5753170  
勝特力电子(上海) 86-21-34970699  
勝特力电子(深圳) 86-755-83298787  
[Http://www.100y.com.tw](http://www.100y.com.tw)



● Components

①	Cable clamp
②	⊕Small-sized Phillips head screw
③	Caps
④	Seal A
⑤	Seal B
⑥	Screw lock
⑦	Hood

● Dimensions

Part No.	A	B	C	D	E	Outside diameter of cable for reference purposes
PCS-XEM50DL( ) ( ) N	17.6	∅11	54.0	46.5	14.0	∅10.5
PCS-XEM68DL( ) ( ) N	19.3	∅12.7	65.43	57.9	15.7	∅12.2

Part No.	Screw size
PCS-XEM( )DL( )N	M2.5×0.45
PCS-XEM( )DL( )UN	#4-40UNC
PCS-XEM( )DL( )U2N	#2-56UNC

Because some combinations of "Configurations of Product Part No.", are under consideration for development, please contact us for availability details.

For use with connector: PCS-E series IDC type female connector

PCS-XE series IDC type male connector for cable

- Through hole
- SMT
- Press-in
- IDC
- Soldering
- Crimping
- Wire wrapping
- Others

Vertical type over-molded backshell  
PCS-XEM100L( ) ( )

Backshell

Vertical

Screw locks

RoHS

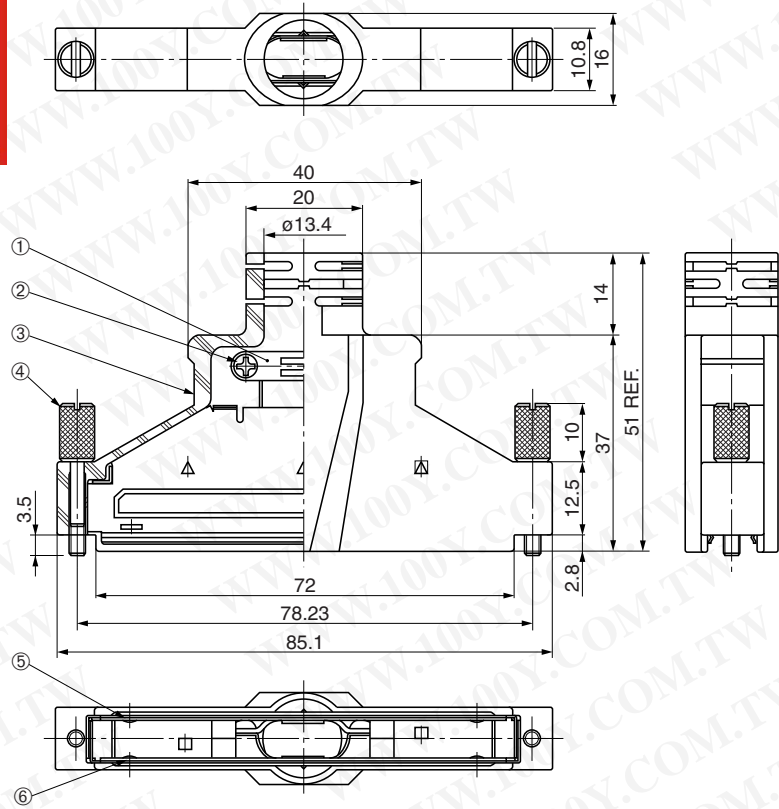


● Configuration of product Part No.

**PCS-XEM 100 L ( ) ( )**

- ① Series name
- ② No. of contacts: 100
- ③ Type of backshell  
L: Vertical type backshell
- ④ Color of hood  
Blank: Black  
1 : Beige
- ⑤ Screw size  
Blank: #4-40UNC  
U2 : #2-56UNC

勝特力材料 886-3-5753170  
勝特力电子(上海) 86-21-34970699  
勝特力电子(深圳) 86-755-83298787  
[Http://www.100y.com.tw](http://www.100y.com.tw)



● Components

①	Cable clamp
②	⊕ Small-sized Phillips head screw
③	Hood
④	Fastening screw
⑤	Shield B
⑥	Shield A

● Dimensions

Part No.	Color of housing	Screw size	Outside diameter of cable for reference purposes
PCS-XEM100L	Black	#4-40UNC	$\phi 13.2$
PCS-XEM100LU2		#2-56UNC	
PCS-XEM100L1	Beige	#4-40UNC	
PCS-XEM100L1U2		#2-56UNC	

For use with connector: PCS-XE series IDC type male connector for cable

Dust-proof cap  
PCS-E( )CP( )

RoHS

1.27 mm pitch connector

Accessories

Dust-proof cap

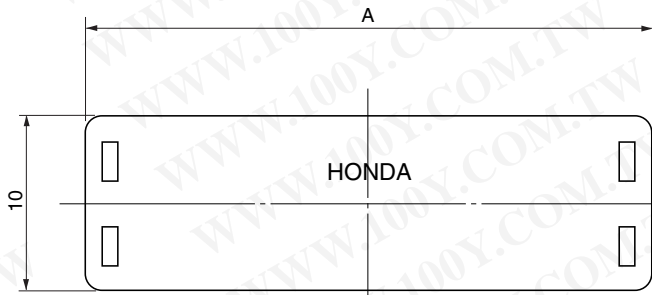


● Configuration of product Part No.

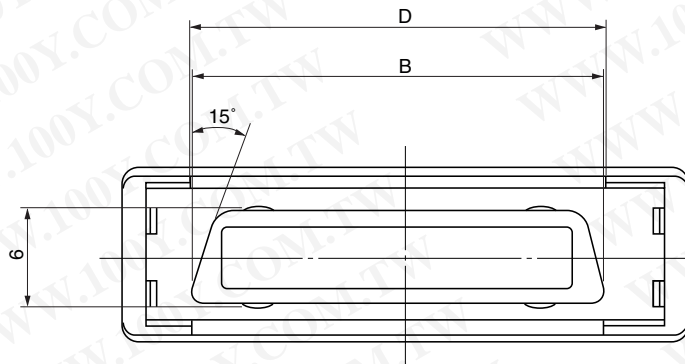
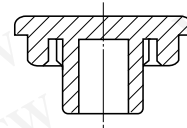
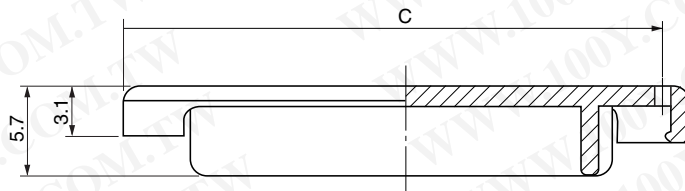
PCS-E ( ) CP ( )

① ② ③ ④

- ① Series name
- ② No. of contacts: 20, 28, 36 or 50
- ③ Dust-proof cap  
CP: Cap with mating guide for preventing misinsertion
- ④ Color of cap  
Black: Clear  
U2 : Dark gray



勝特力材料 886-3-5753170  
 勝特力电子(上海) 86-21-34970699  
 勝特力电子(深圳) 86-755-83298787  
[Http://www.100y.com.tw](http://www.100y.com.tw)



● Dimensions

Part No.	A	B	C	D
PCS-E20CP( )	25.5	15.4	22.9	18.2
PCS-E28CP( )	30.6	20.48	28.0	26.2
PCS-E36CP( )	35.7	25.56	33.1	26.2
PCS-E50CP( )	44.6	34.45	42.0	34.2

Because some combinations of "Configurations of Product Part No.", are under consideration for development, please contact us for availability details.

Mating connectors: PCS-E series male connector

# 1.6 mm panel-thickness mating guide PCS-E( )G



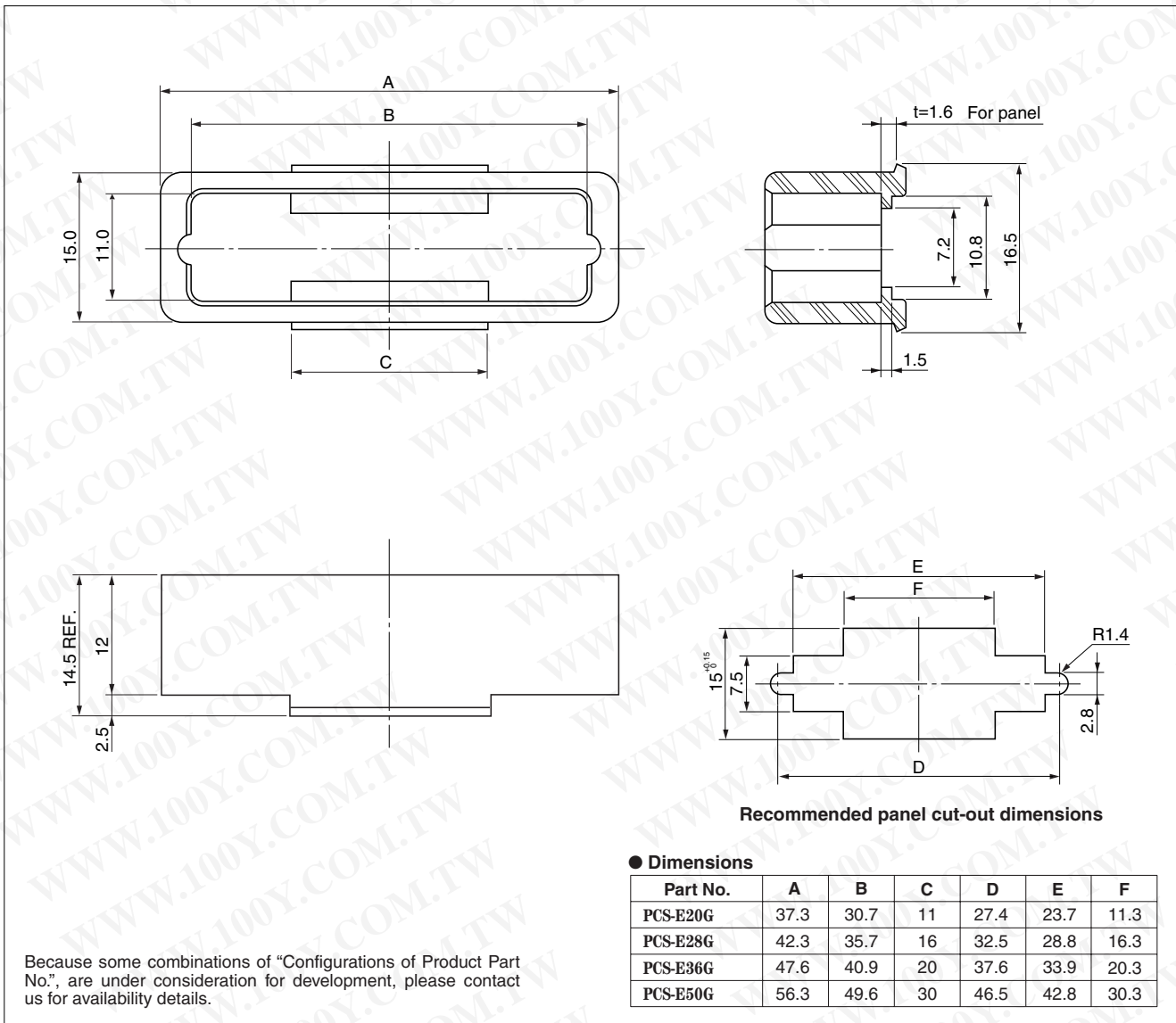
● Configuration of product Part No.

## PCS-E ( ) G

① ② ③

- ① Series name
- ② No. of contacts: 20, 28, 36 or 50
- ③ 1.6 mm panel-thickness mating guide  
(Color: Silver metallic)

勝特力材料 886-3-5753170  
 勝特力电子(上海) 86-21-34970699  
 勝特力电子(深圳) 86-755-83298787  
[Http://www.100y.com.tw](http://www.100y.com.tw)



For use with connector: PCS-E series vertical type or horizontal type housing

- Through hole
- SMT
- Press-in
- IDC
- Soldering
- Crimping
- Wire wrapping
- Others

1.0 mm panel-thickness mating guide  
PCS-E( )G1

Accessories

Mating guide

RoHS



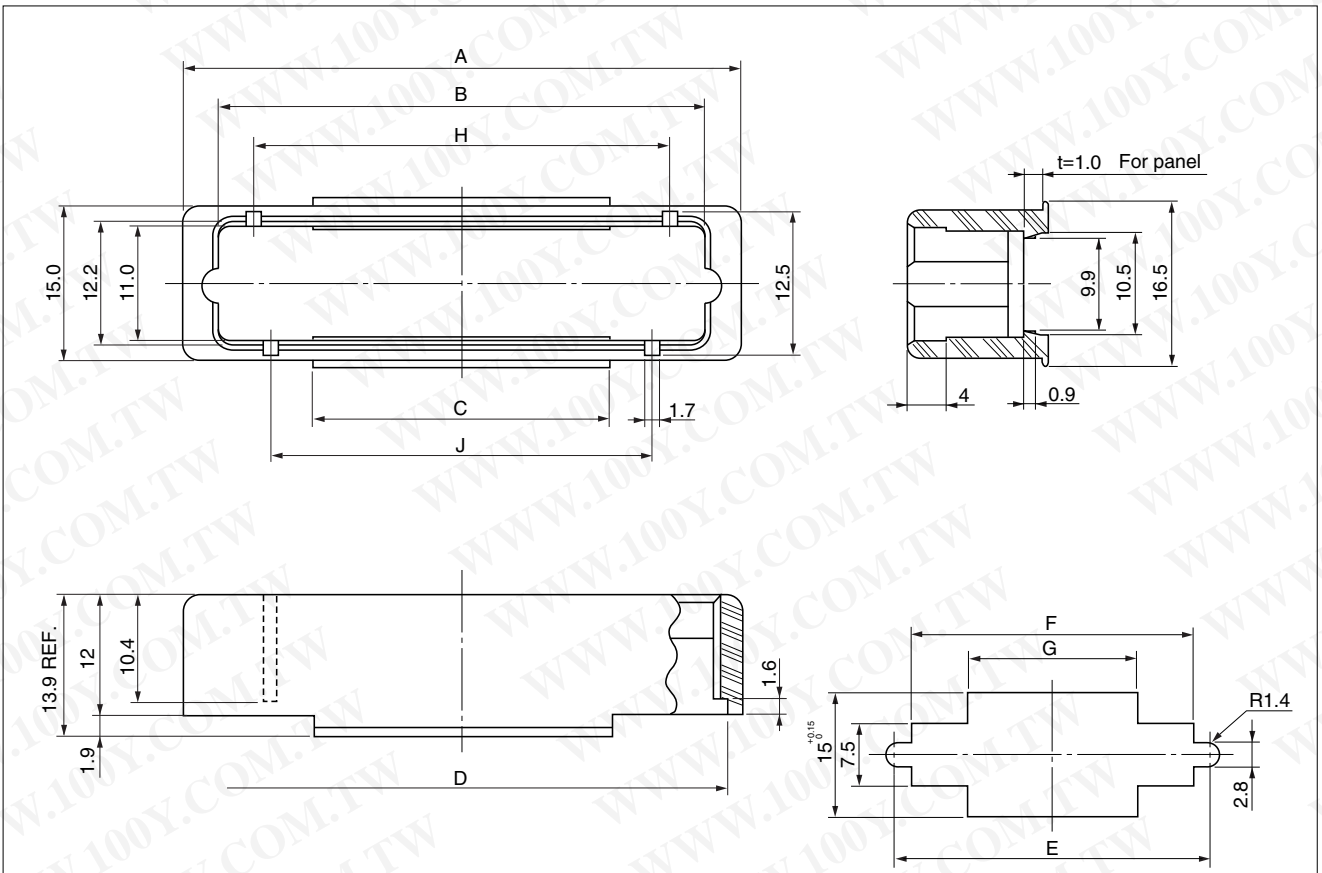
● Configuration of product Part No.

PCS-E ( ) G1

① ② ③

- ① Series name
- ② No. of contacts: 20, 28, 36, 50 or 68
- ③ 1.0 mm panel-thickness mating guide

勝特力材料 886-3-5753170  
 勝特力电子(上海) 86-21-34970699  
 勝特力电子(深圳) 86-755-83298787  
[Http://www.100y.com.tw](http://www.100y.com.tw)



Recommended panel cut-out dimensions

● Dimensions

Part No.	A	B	C	D	E	F	G	H	J
PCS-E20G1	37.3	30.7	11	33.0	27.4	23.7	11.3	25	8
PCS-E28G1	42.3	35.7	16	38.1	32.5	28.8	16.3	30	16
PCS-E36G1	47.6	40.9	20	43.2	37.6	33.9	20.3	34	31
PCS-E50G1	56.3	49.6	30	52.1	46.5	42.8	30.3	42	39
PCS-E68G1	67.7	61.0	40	63.5	57.9	54.1	40.3	52	49

For use with connector: PCS-E series vertical type housing for standard cable or heavy wire cable with mating guide

**Metallic mating guide**  
**PCS-E( )G3( )**

Accessories

Mating guide

RoHS



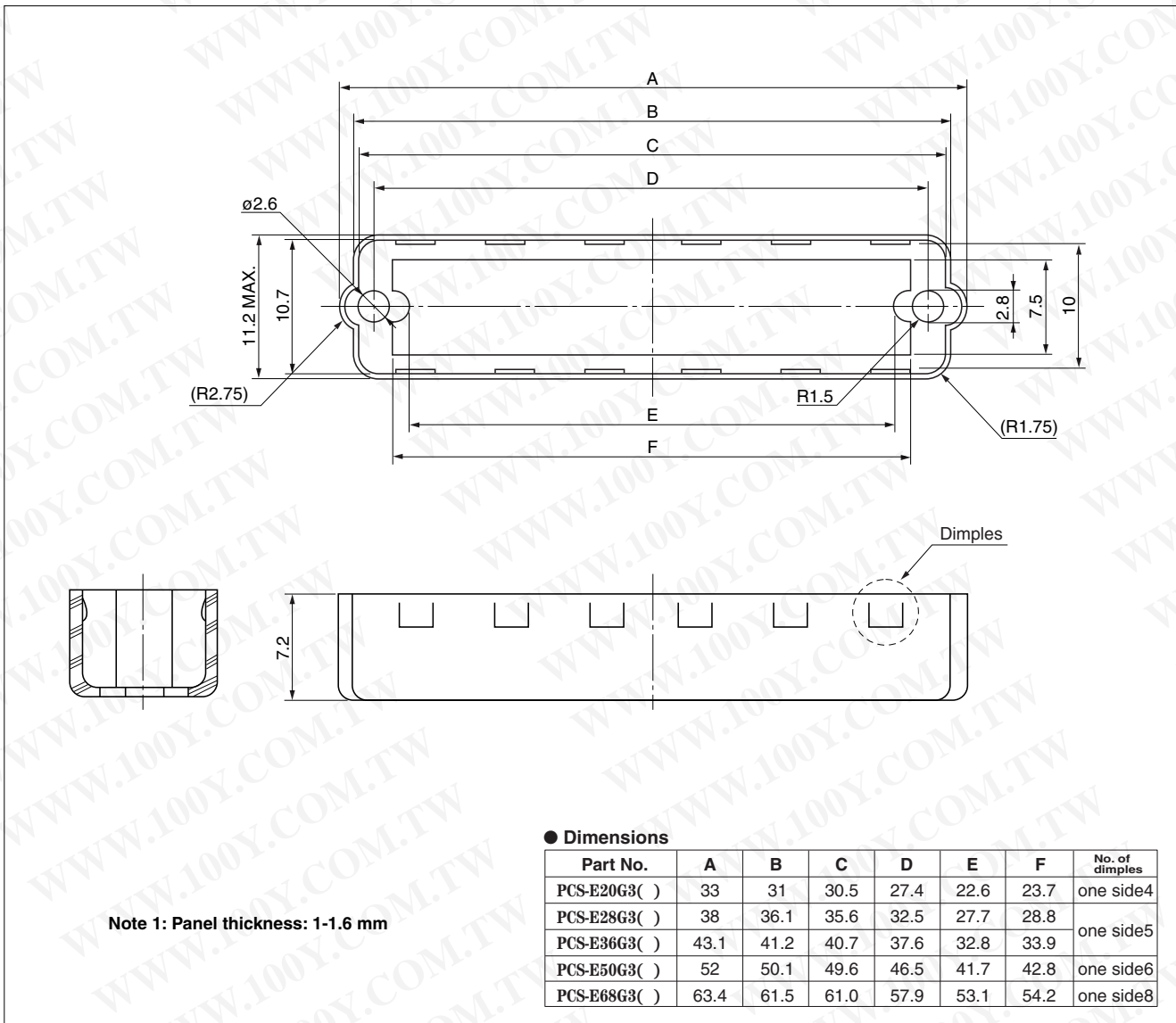
● Configuration of product Part No.

**PCS-E ( ) G3 ( )**

① ② ③ ④

- ① Series name
- ② No. of contacts: 20, 28, 36, 50 or 68
- ③ Metallic mating guide
- ④ Guide plating  
 Blank: No plating  
 N : Nickel plating

勝特力材料 886-3-5753170  
 勝特力电子(上海) 86-21-34970699  
 勝特力电子(深圳) 86-755-83298787  
[Http://www.100y.com.tw](http://www.100y.com.tw)



For use with connector: PCS-E series vertical type housing for standard cable or heavy wire cable  
 PCS-E series of horizontal type housing for standard cable or heavy wire cable

**Metallic mating guide with provision for preventing misinsertion**  
**PCS-E( )G4-( )**

Accessories

Mating guide

RoHS

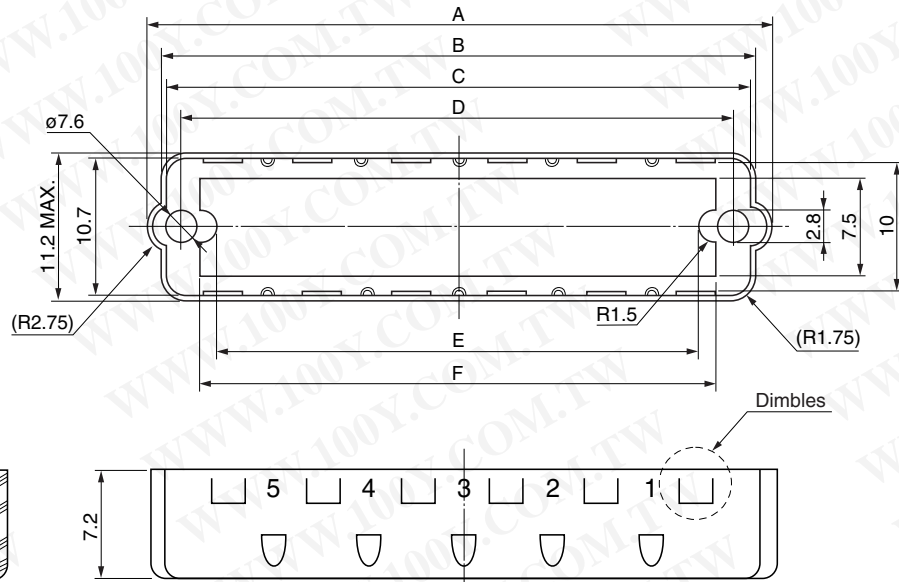


● Configuration of product Part No.

**PCS-E ( ) G4- ( )**

① ② ③ ④

- ① Series name
- ② No. of contacts: 20, 28, 36, 50 or 68
- ③ Metallic mating guide with provision for preventing misinsertion
- ④ Locations being cut off the key forms for preventing misinsertion



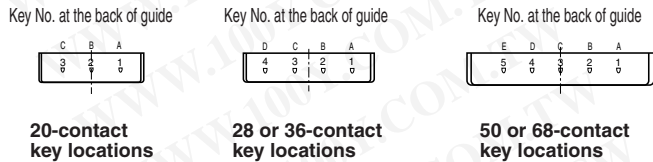
**Note 1:** When using this guide with removing some keys, designate the location number in parentheses (④) for "Configuration of product part numbers:" (Standard locations being cut off the key forms for preventing misinsertion are shown in the Dimension table.)

Example: PCS-E36G4-1D



**Note 2:** When using this guide without removing keys, "Configuration of product part numbers" is PCS-E( )G4.

**Note 3:** Panel thickness: 1-1.6 mm



● Dimensions

Part No.	A	B	C	D	E	F	Standard locations being cut off the key forms for preventing misinsertion
PCS-E20G4-( )	33	31	30.5	27.4	22.6	23.7	1B, 1C, 2A, 3A
PCS-E28G4-( )	38	36.1	35.6	32.5	27.7	28.8	1D, 2C, 3B, 4A
PCS-E36G4-( )	43.1	41.2	40.7	37.6	32.8	33.9	1E, 2D, 4B, 5A
PCS-E50G4-( )	52	50.1	49.6	46.5	41.7	42.8	
PCS-E68G4-( )	63.4	61.5	61.0	57.9	53.1	54.2	

For use with connector: PCS-E series vertical type housing for standard cable or heavy wire cable with provision for preventing misinsertion

PCS-E series horizontal type housing for standard cable or heavy wire cable with provision for preventing misinsertion

勝特力材料 886-3-5753170  
 勝特力电子(上海) 86-21-34970699  
 勝特力电子(深圳) 86-755-83298787  
 Http://www.100y.com.tw

Others Wire wrapping Crimping Soldering IDC Press-in SMT Through hole

Key rivet for preventing misinsertion  
PCS-E-PK+R

Accessories

Key rivet

RoHS



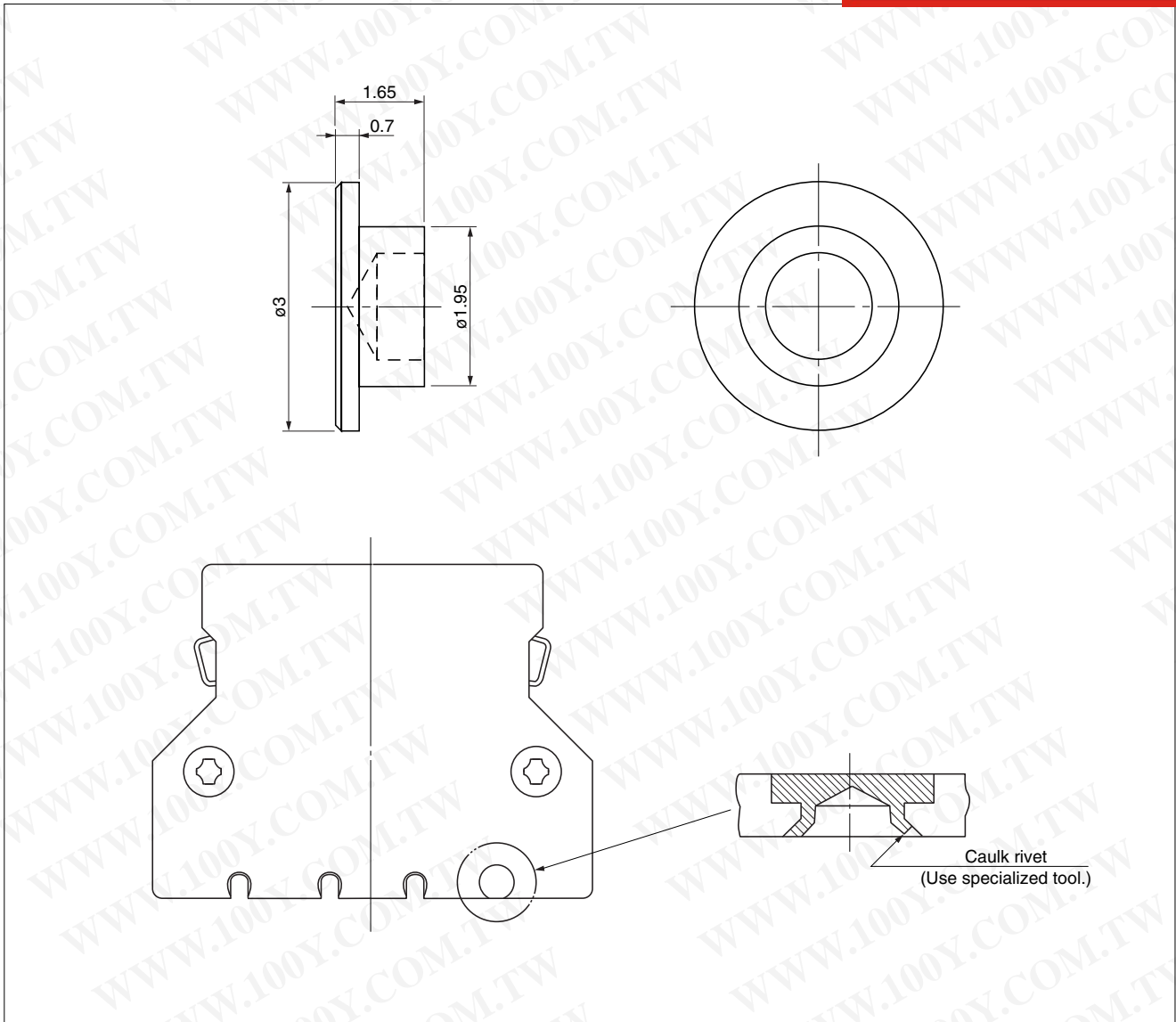
● Configuration of product Part No.

**PCS-E- PK+R**

① ②

- ① Series name
- ② Key rivet for preventing misinsertion

勝特力材料 886-3-5753170  
 勝特力电子(上海) 86-21-34970699  
 勝特力电子(深圳) 86-755-83298787  
[Http://www.100y.com.tw](http://www.100y.com.tw)



For use with backshell: PCS-E series vertical type backshell or horizontal type backshell with provision for preventing misinsertion

# Misinsertion prevention guide

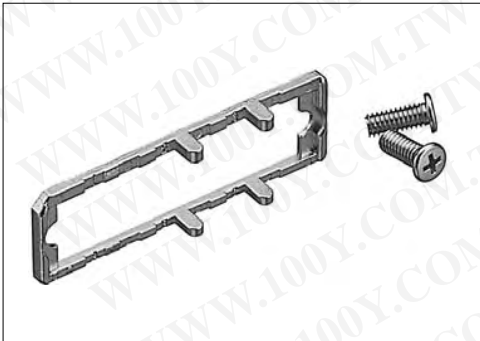
## PCS-E( )PG-( )

RoHS

1.27 mm pitch connector

Accessories

Misinsertion prevention guide

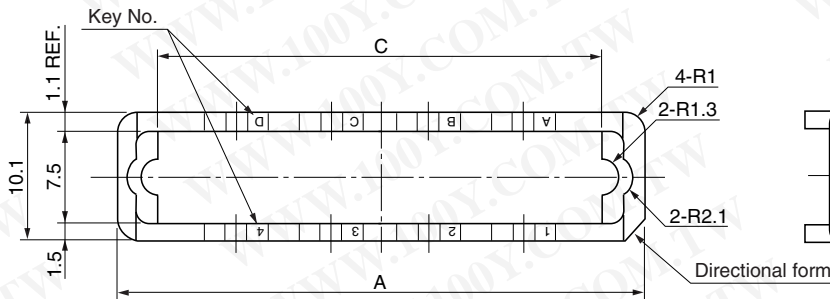


● Configuration of product Part No.

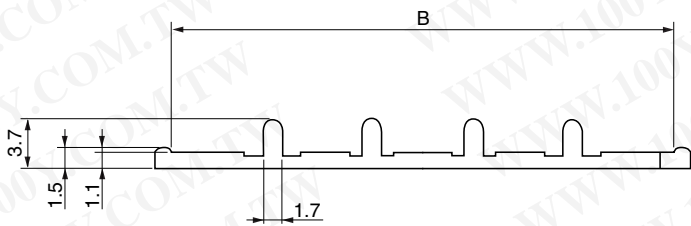
### PCS-E ( ) PG- ( )

① ② ③ ④

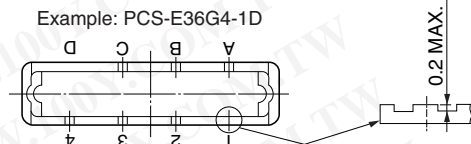
- ① Series name
- ② No. of contacts: 20, 28, 36, 50, 68 or 80
- ③ Misinsertion prevention guide
- ④ Locations being cut off the key forms for preventing misinsertion



Note 1: When a panel is not used, use the spacer hardware, PCS-E( )M-SP.



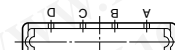
Note 2: Designate the location No. in parentheses (④) for "Configuration of product part numbers." (Standard locations being cut off the key forms for preventing misinsertion are shown in the Dimension table.)



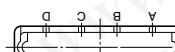
Because some combinations of "Configurations of Product Part No.", are under consideration for development, please contact us for availability details.



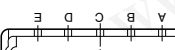
For 20-contacts



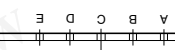
For 28-contacts



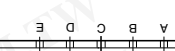
For 36-contacts



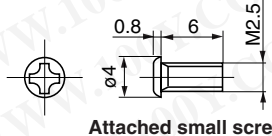
For 50-contacts



For 68-contacts



For 80-contacts



● Dimensions

Part No.	A	B	C	Standard locations being cut off the key forms for preventing misinsertion
PCS-E20PG-( )	32.6	30.3	27.4	1B, 1C, 2A, 3A
PCS-E28PG-( )	37.7	35.3	32.5	1D, 2C, 3B, 4A
PCS-E36PG-( )	42.8	40.5	37.6	1E, 2D, 4B, 5A
PCS-E50PG-( )	51.7	49.2	46.5	
PCS-E68PG-( )	63.1	60.6	57.9	
PCS-E80PG-( )	70.7	68.2	65.5	

For use with connector: PCS-E series right-angle through hole type male connector for PCB

PCR-E series right-angle through hole type male connector for PCB

Mating backshell: PCS-E series of backshell with provision for preventing misinsertion

勝特力材料 886-3-5753170  
 勝特力电子(上海) 86-21-34970699  
 勝特力电子(深圳) 86-755-83298787  
[Http://www.100y.com.tw](http://www.100y.com.tw)

Others Wire wrapping Crimping Soldering IDC Press-in SMT Through hole

Misinsertion prevention guide  
PCS-E96PG-( )

Accessories

Misinsertion prevention guide

RoHS

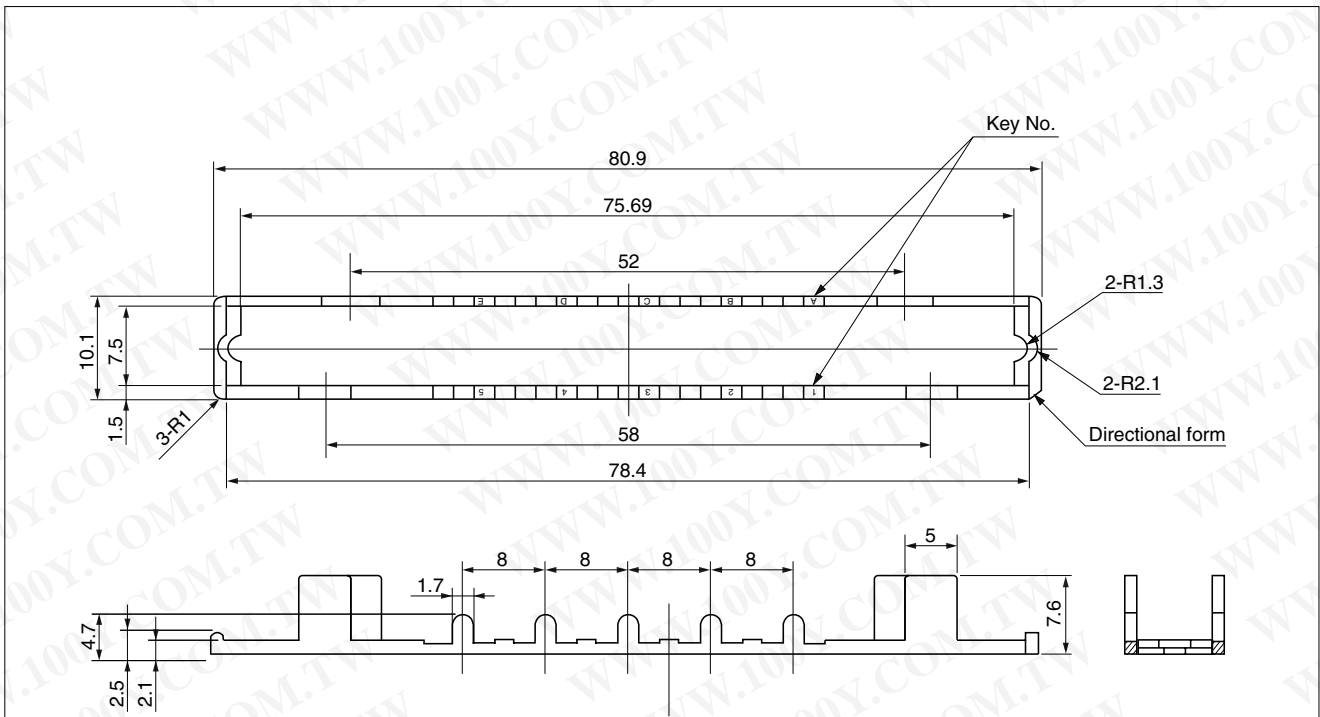


● Configuration of product Part No.

PCS-E 96 PG- ( )

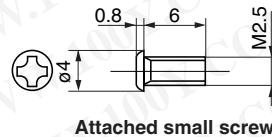
- ①
- ②
- ③
- ④

- ① Series name
- ② No. of contacts: 96
- ③ Misinsertion prevention guide
- ④ Locations being cut off the key forms for preventing misinsertion



**Note1:** Designate one of location numbers below in parentheses ( ) for "Configuration of product part numbers." (Standard locations being cut off the key forms for preventing misinsertion are shown below.)

Location No.: 1E, 2D, 4B or 5A  
Example: PCS-E96PG-1E



Because some combinations of "Configurations of Product Part No.," are under consideration for development, please contact us for availability details.

For use with backshell: PCS-E series backshell with provision for preventing misinsertion. PCS-E96LKP(-)(-)

- Through hole
- SMT
- Press-in
- IDC
- Soldering
- Crimping
- Wire wrapping
- Others

勝特力材料 886-3-5753170  
 勝特力电子(上海) 86-21-34970699  
 勝特力电子(深圳) 86-755-83298787  
[Http://www.100y.com.tw](http://www.100y.com.tw)

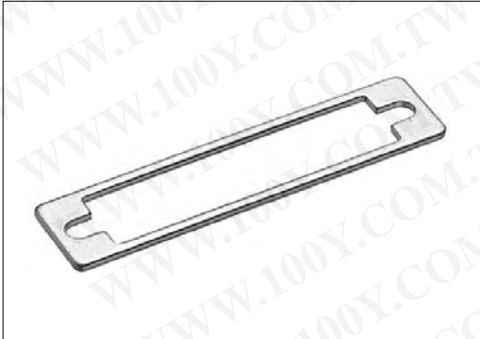
**Spacer hardware for male connector**  
**PCS-E( )M-SP**

RoHS

1.27 mm pitch connector

Accessories

Spacer hardware



● Configuration of product Part No.

**PCS-E ( ) M-SP**

①      ②      ③

- ① Series name
- ② No. of contacts: 20, 28, 36, 50, 68 or 96
- ③ Spacer hardware for male connectors

勝特力材料 886-3-5753170  
 胜特力电子(上海) 86-21-34970699  
 胜特力电子(深圳) 86-755-83298787  
[Http://www.100y.com.tw](http://www.100y.com.tw)

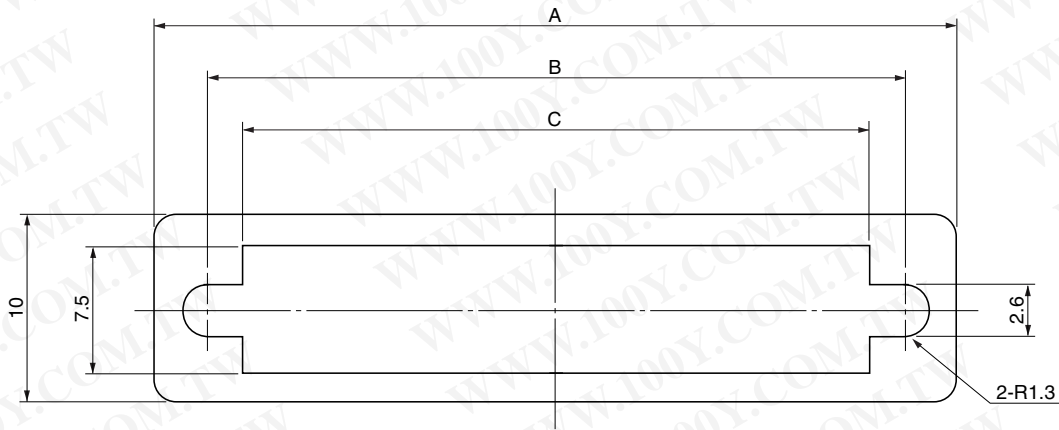


Plate thickness: 1.0 mm.

Use this spacer hardware for male connectors, when a panel is not used.

● Dimensions

Part No.	A	B	C
PCS-E20M-SP	32.8	27.4	22.8
PCS-E28M-SP	37.9	32.5	27.9
PCS-E36M-SP	43.0	37.6	33.0
PCS-E50M-SP	51.9	46.5	41.9
PCS-E68M-SP	63.3	57.9	53.3
PCS-E96M-SP	81.1	75.69	71.1

For use with connector: PCS-E series right-angle through hole type male connector for PCB

PCR-E series right-angle through hole type male connector for PCB

Others   Wire wrapping   Crimping   Soldering   IDC   Press-in   SMT   Through hole

**Screw lock**  
**PCS-XE50SJ( )U2**

**1.27 mm pitch connector**

**Accessories**

**Screw locks**

**SCSI-III**

RoHS



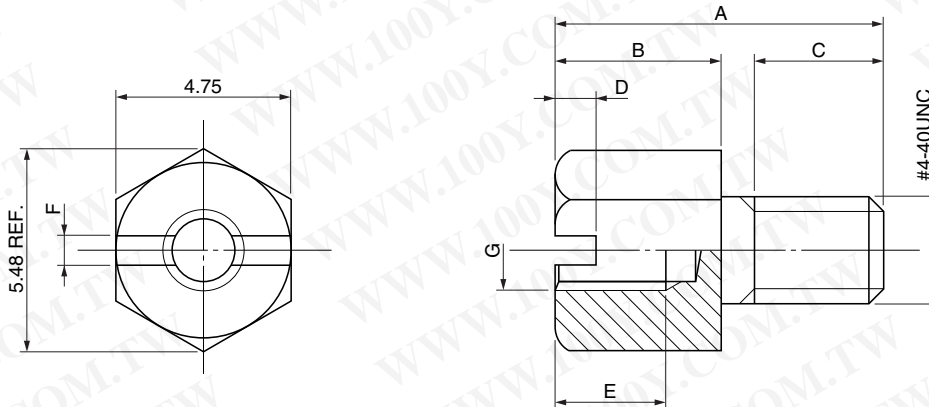
● Configuration of product Part No.

**PCS-XE 50 SJ( ) U2**

①                      ②                      ③

- ① Series name
- ② Kinds of screw locks  
 SJ1: The type not mounted on panel (Male screw size, #4-40UNC)  
 SJ5: The type mounted on 1.6 mm panel (Male screw size, #4-40UNC)  
 SJ6: The type mounted on 1.0 mm panel (Male screw size, #4-40UNC)
- ③ Female screw size  
 U2: #2-56UNC

勝特力材料 886-3-5753170  
 胜特力电子(上海) 86-21-34970699  
 胜特力电子(深圳) 86-755-83298787  
[Http://www.100y.com.tw](http://www.100y.com.tw)



Note 1: SJ1 and SJ5 types are not slotted.

● Dimensions

Part No.	A	B	C	D	E	F	G
PCS-XE50SJ1U2	8.9	5.5	2.7	-	3	-	#2-56UNC
PCS-XE50SJ5U2		3.9	4.1	-	2.9	-	
PCS-XE50SJ6U2		4.5	3.5	1.1	3	0.8	

For use with backshell: PCS-E series Backshells with provision for preventing misinsertion