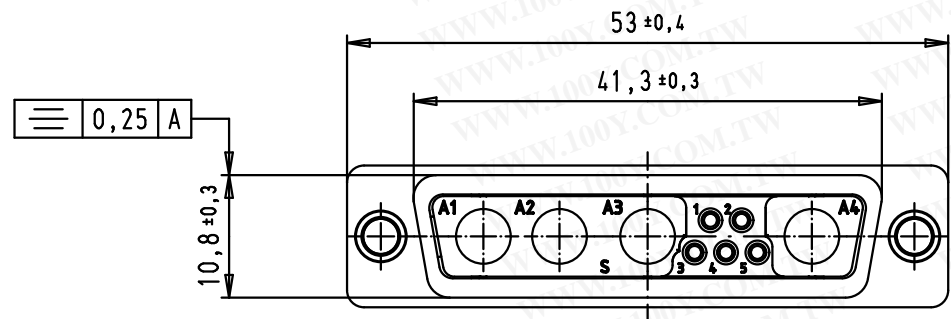
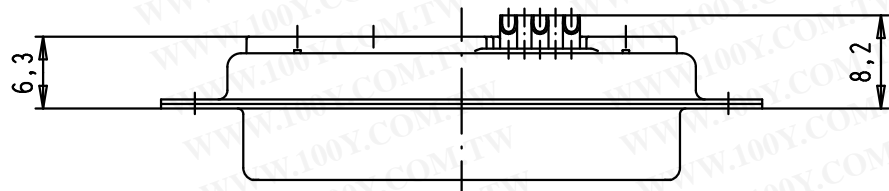
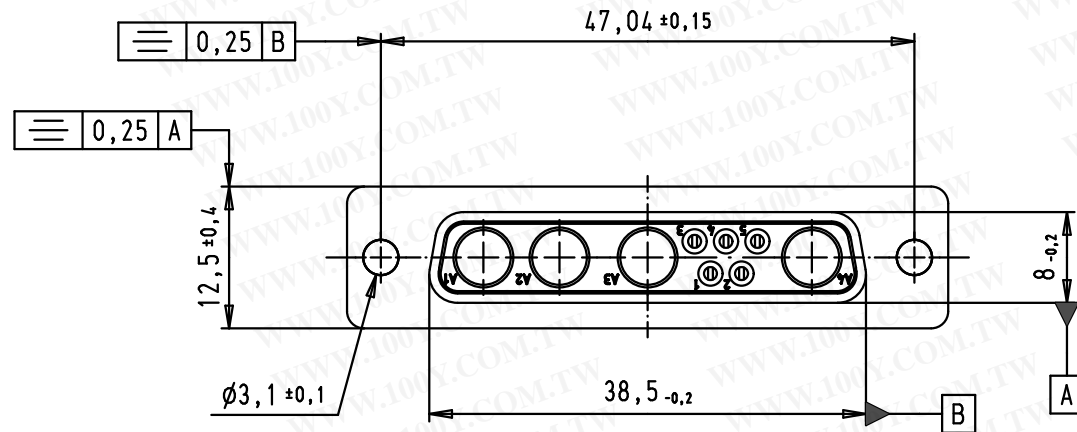
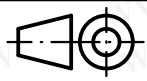


5 4 3 2 1



Solder bucket termination for AWG 20

勝特力材料 886-3-5753170
 勝特力电子(上海) 86-21-34970699
 勝特力电子(深圳) 86-755-83298787
[Http://www.100y.com.tw](http://www.100y.com.tw)

						Dat.		Name		 All Dim. in mm Orig. Size DIN A 4	D-Sub, 9W4, female, straight, solder buckets, tin plated shell	Maßstab/ Scale 1,5:1
						Detail.	21/09/07		PK			
						Insp.						
A	09 69 301 7094.500	PL3	Non magnetic				Stand.					
	09 69 301 7094	PL3	Magnetic									
	09 69 301 5094.500	S4	Non magnetic									
	09 69 301 5094	S4	Magnetic		34614	21/09/07		PK				
	Part number	Performance level	Index designation		Mod.	Dat.	Name		HARTING EURL F-95972 Paris		TB 09 69 301 X094 Sub.	

