

DDR-3 DIMM Vertical Mount Socket

FCN-07 Series

RoHS compliant

FEATURES

- DDR-3: 240pin DIMM socket connector (press-fit or through hole type)
- Fujitsu original unique structure for twin contact points structure.

Item	Specification
Operating temperature range	-55°C to +85°C
Current rating	DC 0.5A
Voltage rating	AC 25V
Contact resistance	40mΩ maximum (DC 20mv, 10mA)
Dielectric withstanding voltage	AC 500V for 1 minute
Insulation resistance	1,000MΩ minimum (DC500V)
Insertion force	155.7N (about 15.9kgf) less than
Compliant pin insertion force	4,800N (about 489.5kgf) less than

MATERIALS

Item	Specification	
Insulating material	LCP, UL94 V-0	
Conductor	Copper Alloy	
Plating	Contact	Gold plating
	Compliant	Tin plating
Hook	LCP, UL94V-0	

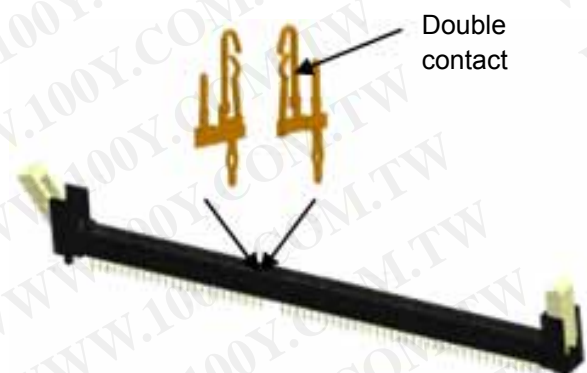
Plastic tray quantity: 40 pieces/tray
 Container quantity: 200 pieces



Fujitsu's FCN-07 DDR-3 DIMM socket is a vertical mount press-fit socket.

The unique contact structure provides for twin points of contact that insure that dust is wiped clean when module is installed.

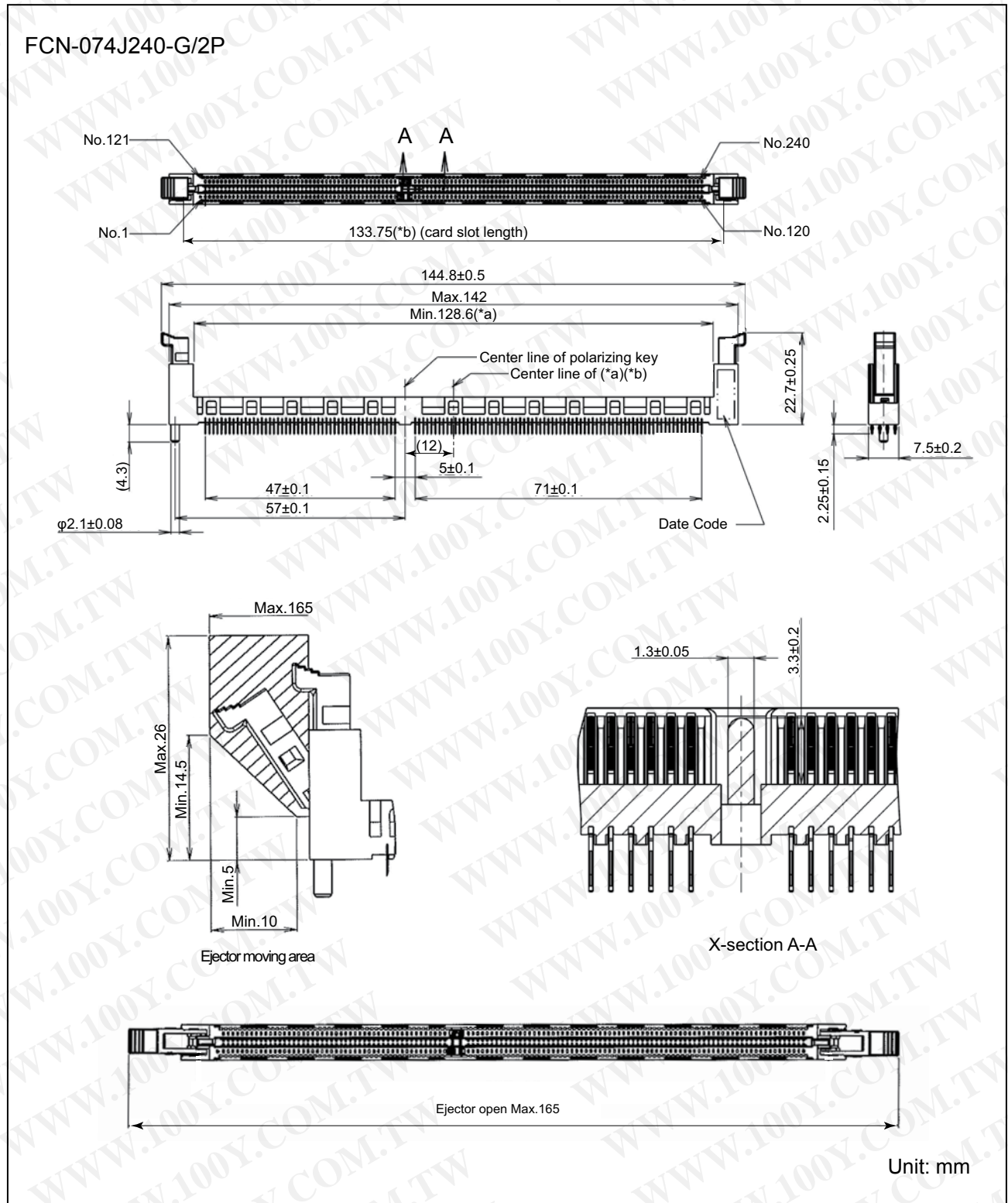
In addition, the twin points guarantee constant contact between the module and contact even in a high vibration environment.



DDR-3DIMM Vertical Mount Socket

■ SPECIFICATIONS

Press-fit version



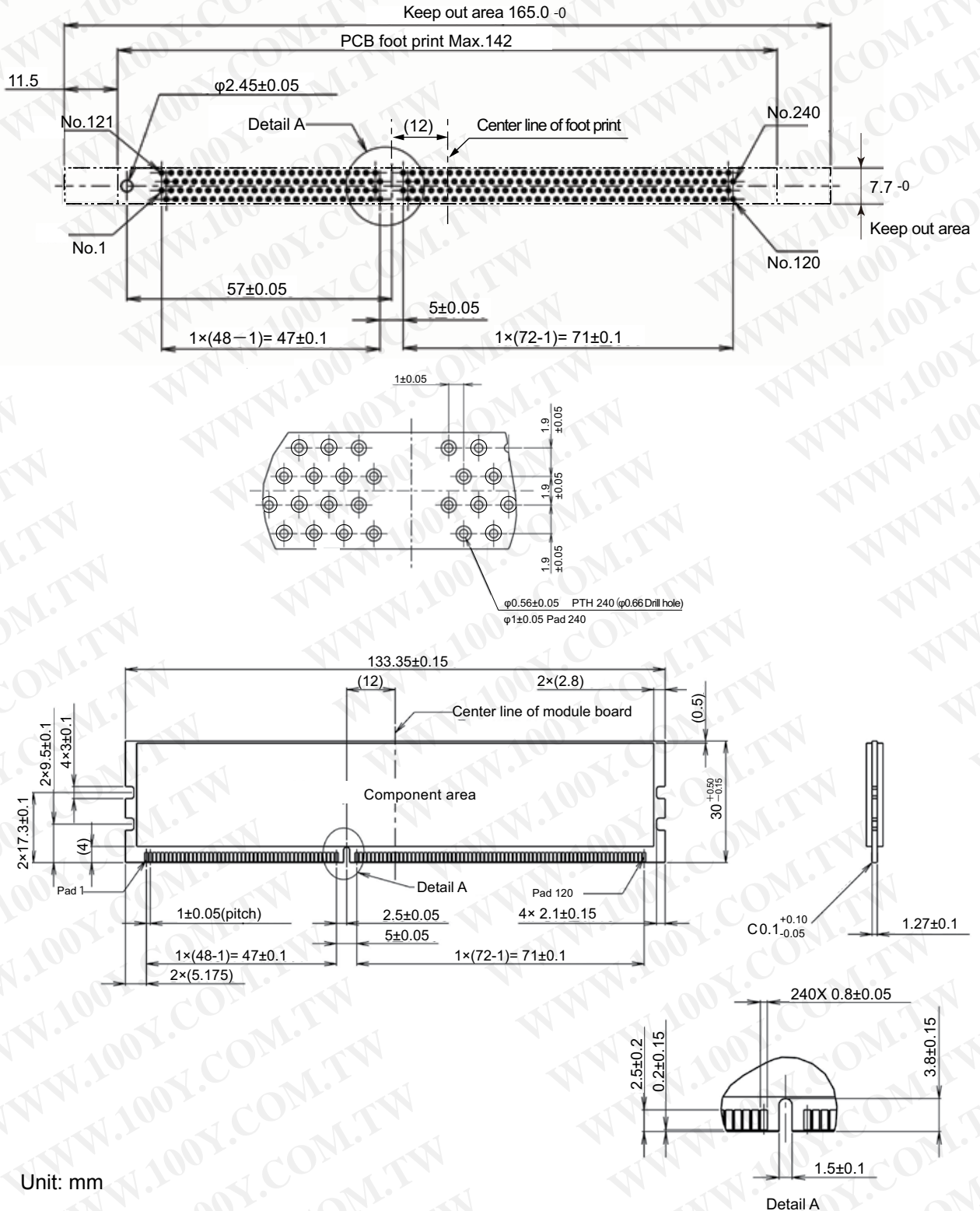
DDR-3DIMM Vertical Mount Socket

■ SPECIFICATIONS

Press-fit version

勝特力材料 886-3-5753170
 勝特力电子(上海) 86-21-34970699
 勝特力电子(深圳) 86-755-83298787
[Http://www.100y.com.tw](http://www.100y.com.tw)

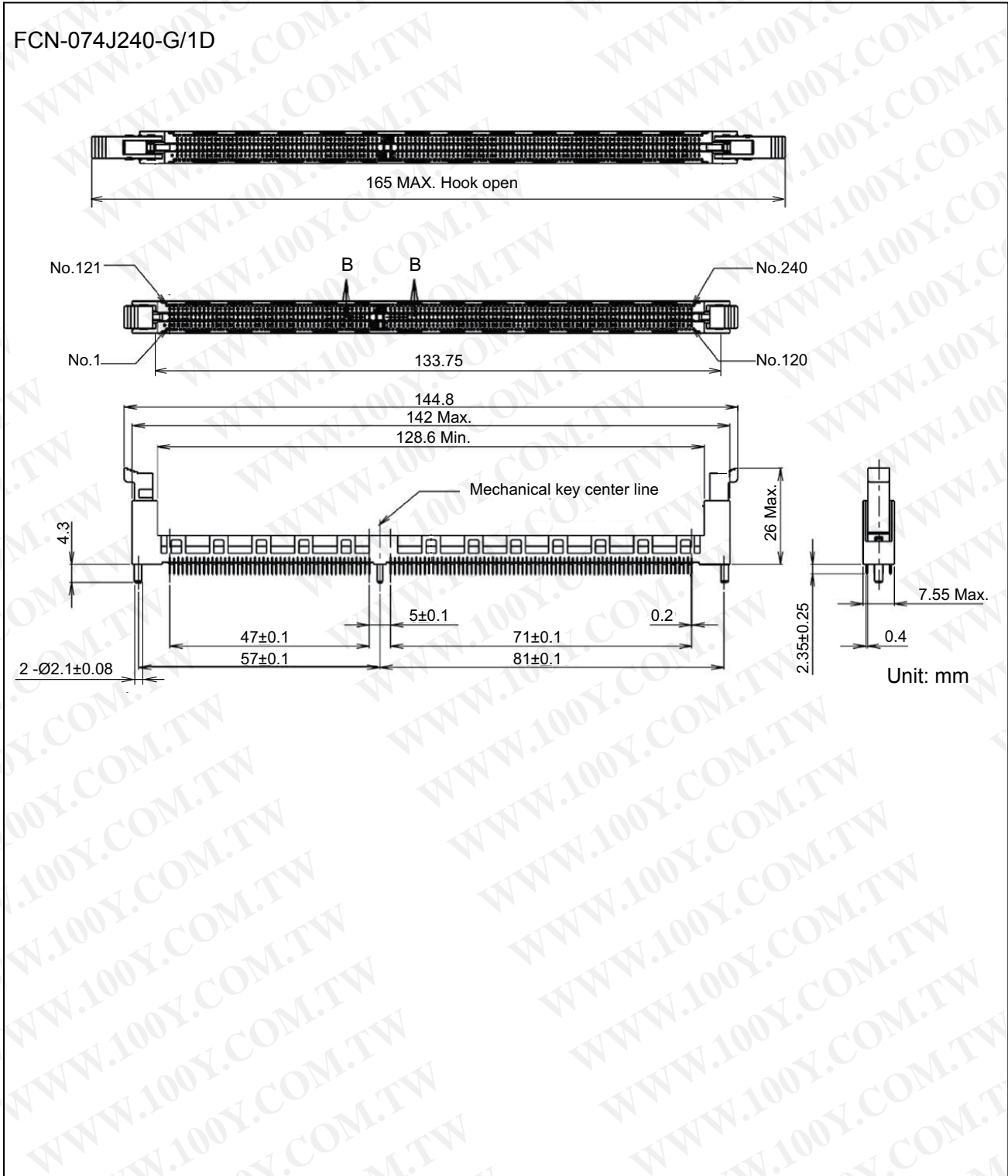
FCN-074J240-G/2P



DDR-3DIMM Vertical Mount Socket

■ SPECIFICATIONS

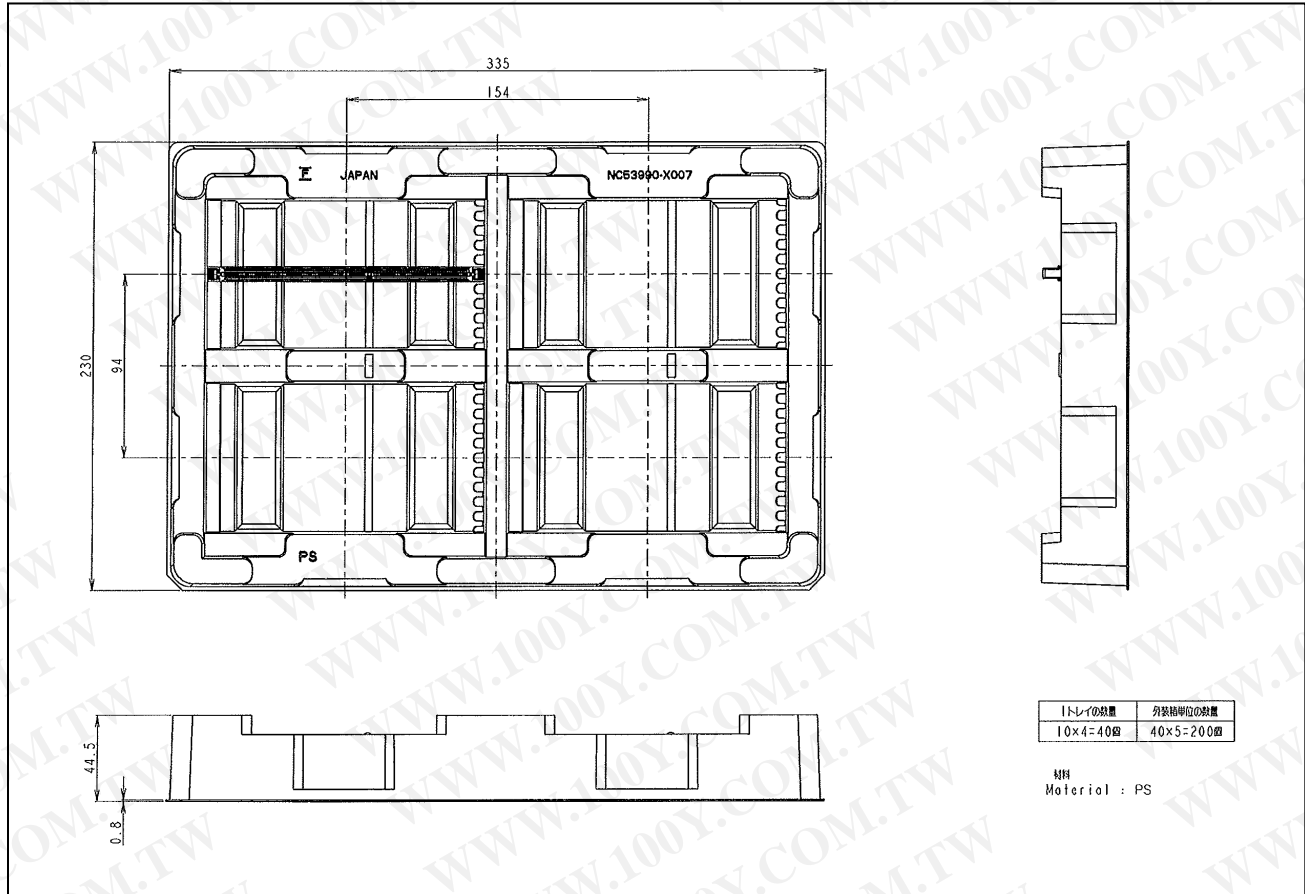
Through-hole solder version



DDR-3DIMM Vertical Mount Socket

勝特力材料 886-3-5753170
 胜特力电子(上海) 86-21-34970699
 胜特力电子(深圳) 86-755-83298787
[Http://www.100y.com.tw](http://www.100y.com.tw)

PACKAGING TRAY



Fujitsu Components International Headquarter Offices

Japan

Fujitsu Component Limited
 Gotanda-Chuo Building
 3-5, Higashigotanda 2-chome, Shinagawa-ku
 Tokyo 141 8630, Japan
 Tel: (81-3) 5449-7010
 Fax: (81-3) 5449-2626
 Email: promothq@fcl.fujitsu.com
 Web: www.fcl.fujitsu.com

North and South America

Fujitsu Components America, Inc.
 250 E. Caribbean Drive
 Sunnyvale, CA 94089 U.S.A.
 Tel: (1-408) 745-4900
 Fax: (1-408) 745-4970
 Email: components@us.fujitsu.com
 Web: <http://us.fujitsu.com/components/>

Europe

Fujitsu Components Europe B.V.
 Diamantlaan 25
 2132 WV Hoofddorp
 Netherlands
 Tel: (31-23) 5560910
 Fax: (31-23) 5560950
 Email: info@fceu.fujitsu.com
 Web: emea.fujitsu.com/components/

Asia Pacific

Fujitsu Components Asia Ltd.
 102E Pasir Panjang Road
 #01-01 Citilink Warehouse Complex
 Singapore 118529
 Tel: (65) 6375-8560
 Fax: (65) 6273-3021
 Email: fcal@fcal.fujitsu.com
 Web: <http://www.fujitsu.com/sg/services/micro/components/>

©2013 Fujitsu Components America, Inc. All rights reserved. All trademarks or registered trademarks are the property of their respective owners.

Fujitsu Components America or its affiliates do not warrant that the content of datasheet is error free. In a continuing effort to improve our products Fujitsu Components America, Inc. or its affiliates reserve the right to change specifications/datasheets without prior notice.

Rev. January 11, 2013.