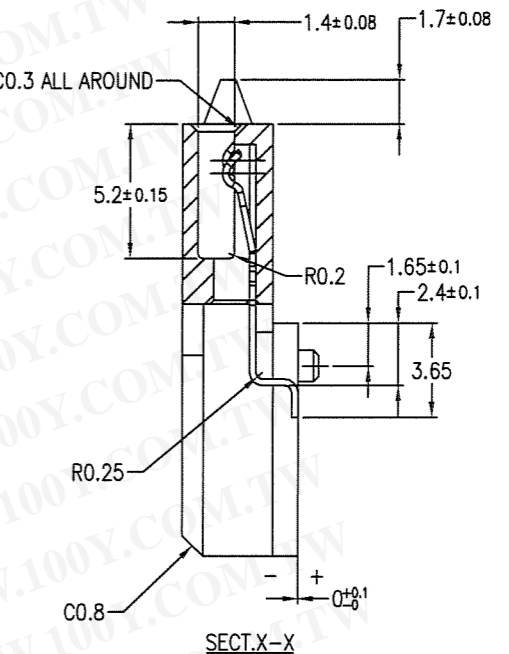
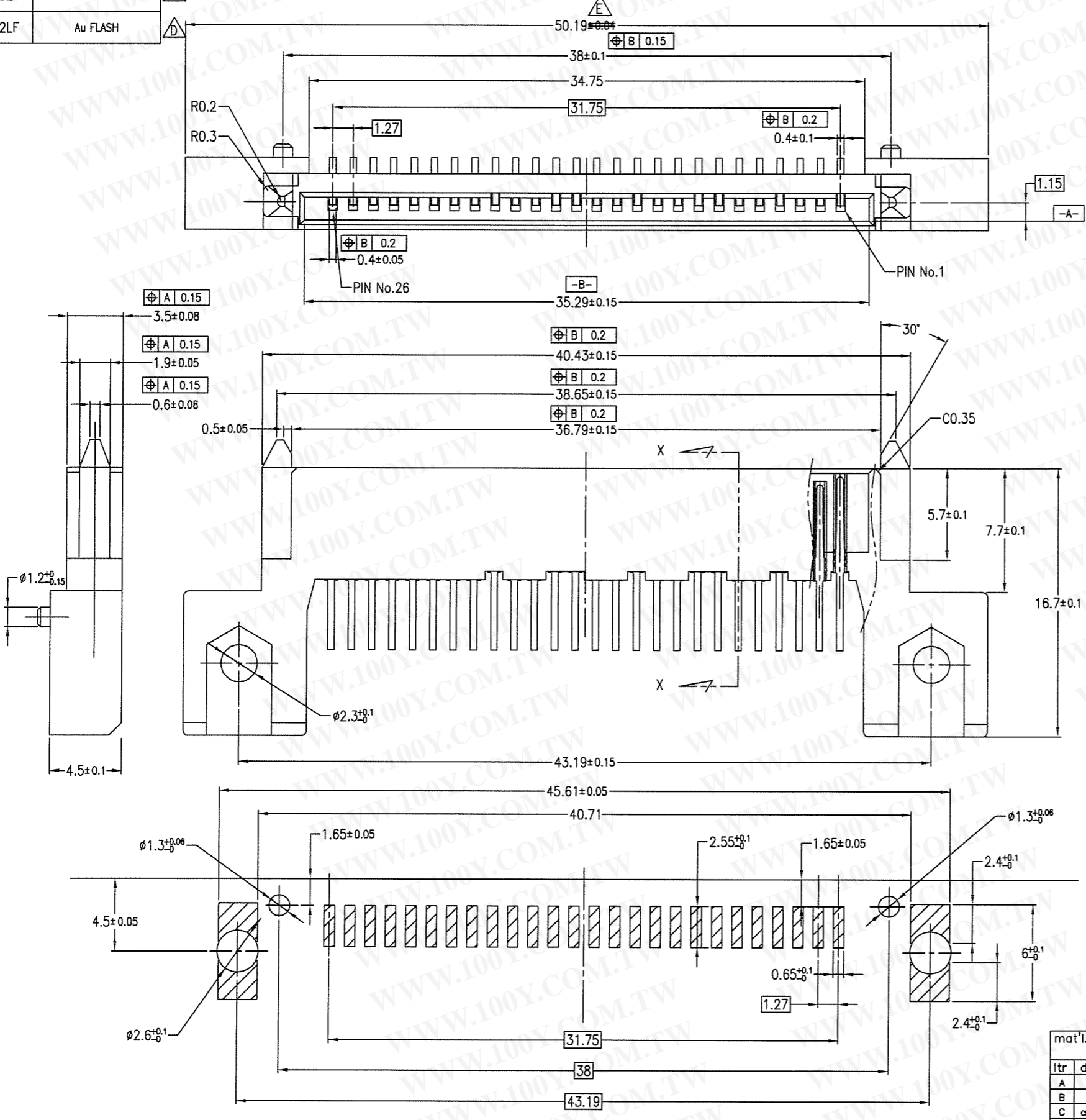


PRODUCT NO.	FINISH : Solder Tail
10033998-001	Pure Sn 1.27µm MIN.
10033998-002	Au FLASH
10033998-002LF	Au FLASH

勝特力材料 886-3-5753170
 勝特力电子(上海) 86-21-34970699
 勝特力电子(深圳) 86-755-83298787
[Http://www.100y.com.tw](http://www.100y.com.tw)

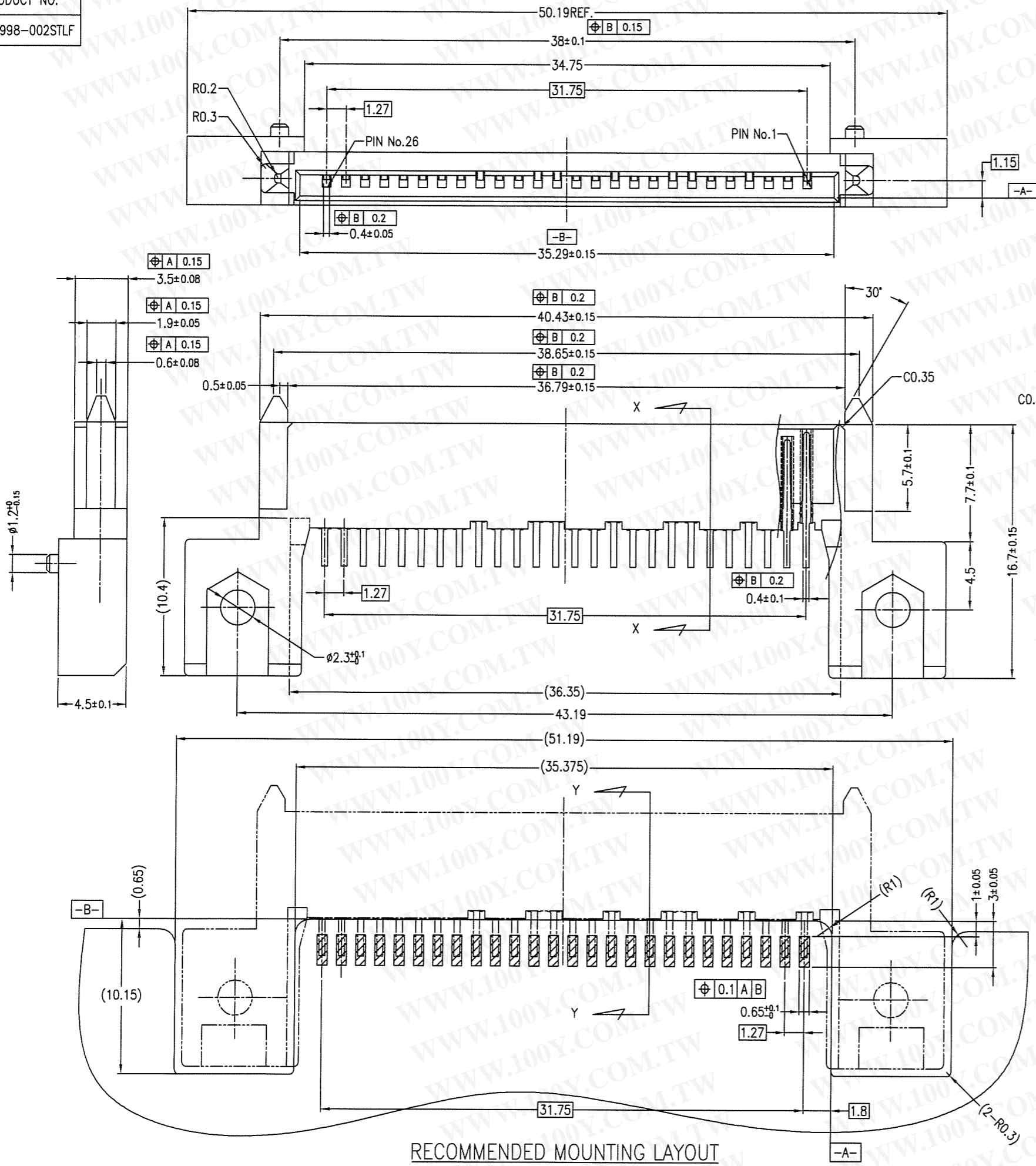


NOTE
 1. THIS PRODUCT MEETS THE IVDR-HWSPEC (2.5-inch, 1.8-inch Serial type)
 2. MATERIAL
 1) HOUSING : HIGH TEMPERATURE THERMOPLASTIC, BLACK, UL94V-0
 2) TERMINAL : COPPER ALLOY
 3. FINISH
 1) TERMINAL : ALL OVER Ni 1.27µm MIN.
 CONTACT POINT Au PLATING 0.3µm MIN.
 SOLDER TAIL SEE TABLE
 4. RoHS
 THIS PRODUCT MEETS EUROPEAN UNION DIRECTIVES AND OTHER COUNTRY REGULATIONS AS DESCRIBED IN GS-22-008

RECOMMENDED MOUNTING LAYOUT
 TOLERANCE UNLESS OTHERWISE: ±0.1

mat'l. code	surface	tolerance	projection	product family	CODE
---	ISO 1302	ISO 1101	MM	55SF Removable HDD	JP
ltr description	ecn no	dr date	tolerance unless otherwise specified	title	
A RELEASED	J04-0286	Y.K 8/23/04	0.X ±0.3	ASSEMBLY	
B REVISED	J05-0107	Y.K 2/24/05	0.XX ±0.3	S-IVDR COMB RECE.	
C Change DWG form	J07-0041	Y.K 1/23/07	0.XXX ±0.3	SMT R/A TYPE	
D Change of P/N	J07-0464	Y.K 2007-9-13	dr	dwg no	sheet 1 of 2 size
E Change of P/N	J08-0253	Y.K 2008-6-12	enrg	10033998	A2
F Add sheet2	J09-0418	Y.K 2008-6-12	chr	type	Product Customer Drawing
sheet index	revision sheet	F F			Rev. F
	1 2				

PRODUCT NO.
10033998-002STLF



RECOMMENDED MOUNTING LAYOUT
TOLERANCE UNLESS OTHERWISE: ± 0.1

- NOTE
- THIS PRODUCT MEETS THE IVDR-HWSPEC (2.5-inch, 1.8-inch Serial type)
 - MATERIAL
 - HOUSING : HIGH TEMPERATURE THERMOPLASTIC, BLACK, UL94V-0
 - TERMINAL : COPPER ALLOY
 - FINISH
 - TERMINAL : ALL OVER Ni 1.27 μ m MIN.
CONTACT POINT Au PLATING 0.3 μ m MIN.
SOLDER TAIL Au Flash
 - RoHS
THIS PRODUCT MEETS EUROPEAN UNION DIRECTIVES AND OTHER COUNTRY REGULATIONS AS DESCRIBED IN GS-22-008

mat'l. code		surface		tolerance		projection		product family		CODE	
---		ISO 1302		ISO 406		MM		55SF Removable HDD		JP	
itr		description		ecn no		dr		date		title	
F		RELEASED		J09-0416		Y.K		2009-11-28		ASSEMBLY	
										S-IVDR COMB RECE.	
										SMT R/A TYPE	
										dwg no	
										sheet 2 of 2 size	
										10033998	
										A2	
										type	
										Product Customer Drawing	
										Rev.	
										F	
sheet index		revision sheet									