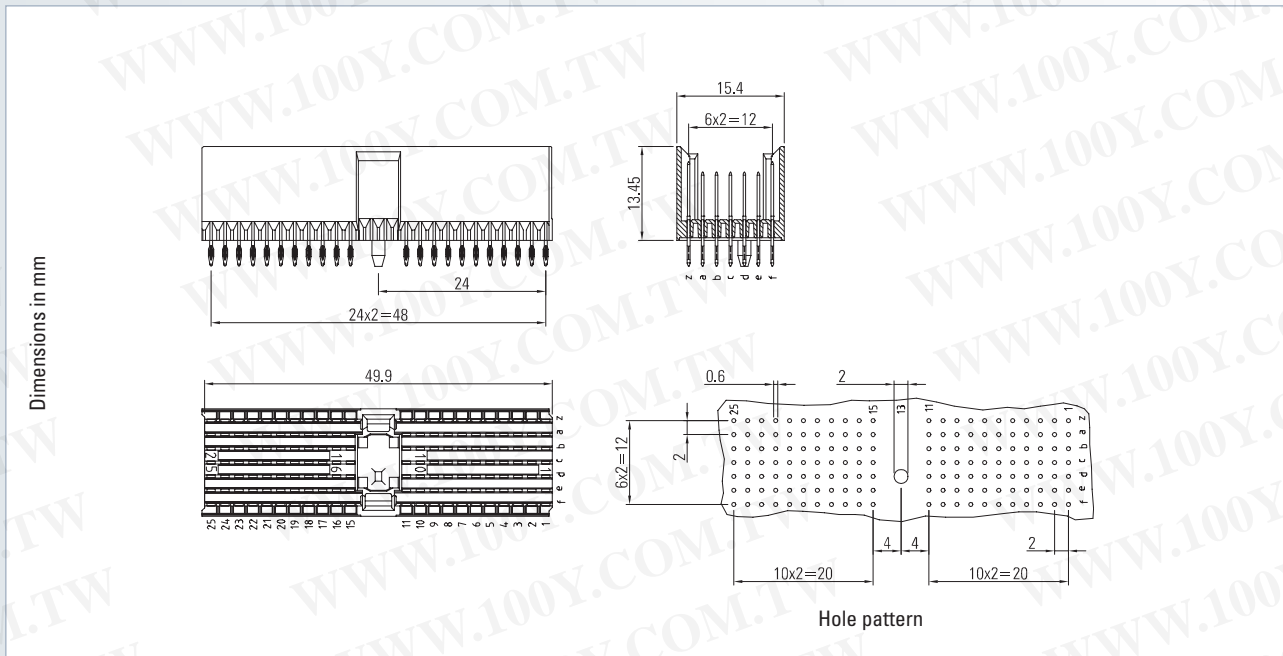


勝特力材料 886-3-5753170
 勝特力电子(上海) 86-21-34970699
 勝特力电子(深圳) 86-755-83298787
 Http://www.100y.com.tw



No. of contacts	Contact arrangement	Press-fit technology – Performance level II	
		PCB thckn. 1.6 – 2.8	PCB thickness > 2.8
		Part number	
110		243-11010-05	243-11010-15
154		243-11310-05	243-11310-15
154	cPCI Hot-Swap (P1) 	243-11322-05	243-11322-15
100	cPCI Telephony Spec (P4) 	243-11323-05	243-11323-15
154		243-11360-05	243-11360-15



- | | |
|--|---|
| On request
– Performance level I or customer-specific
– Contact arrangement (see page 75) | Accessories
– Press-fit tool (see page 198)
– Support tool (see page 199)
– Coding keys (see page 68)
– Shroud (see page 66) |
|--|---|

Cross reference
 – Pin lengths (see page 34)

Note
 – CompactPCI P1/P4