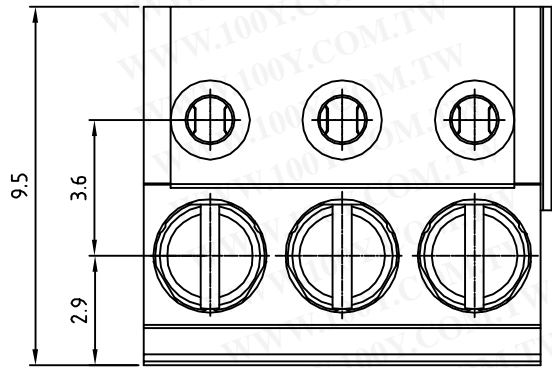
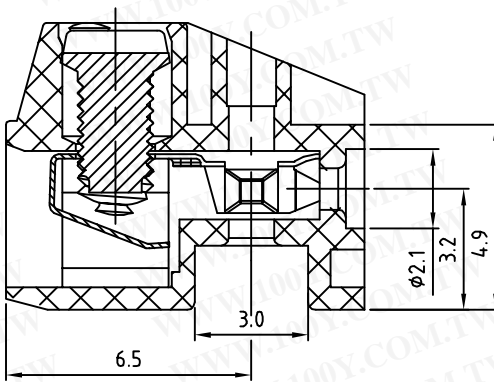
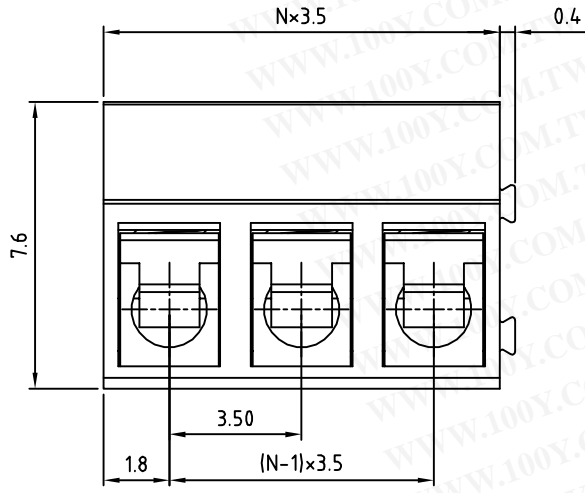


SIGN	DATE	DESCRIPTION	APPROVER
THIS IS CAD DRAWING, DO NOT REVISE MANUALLY!!!			



勝特力材料 886-3-5753170  
 勝特力电子(上海) 86-21-34970699  
 勝特力电子(深圳) 86-755-83298787  
[Http://www.100y.com.tw](http://www.100y.com.tw)

- Material**
- Terminal body (Contact pin): Brass(Cuzn)
  - Terminal screw: Steel Zinc plating:“-”slot type
  - Wire guard: Copper Alloy
  - Insulator (housing): Thermoplastic (UL94V-0)
- Electrical**
- Voltage rating: 150VAC
  - Current rating: 10A
  - Wire range:
  - Solid wire(AWG): 16-28
  - Stranded wire(AWG):16-28
  - Torque(Lb-In): 1.7
  - Screw: M2
  - Wire strip length: 5-6mm
  - Withstanding Voltage: 1.3KV
  - Operating temperature: -30°C to +105°C




PART NO. **EHxx21x0000G**

Poles →  
 02 2Contacts  
 03 3Contacts  
 ...  
 24 24Contacts

Color  
 0 Black  
 5 Green  
 6 Blue  
 8 Grey

N=Number of poles

TITLE		EH - 3.5mm Series			
PART NO.	EHxx21x0000G	DWG NO.	8EH001		
APPROVED	CHECKED	DESIGNED	DRAWN	CUST NO.	Tolerance
		姜開福 2006.01.16	姜開福 2006.01.16		X. ±0.50 X.X ±0.30 X.XX ±0.10 X° ±1°
				UNIT: mm SCALE: NONE SHEET: 01/01 REV.: C	