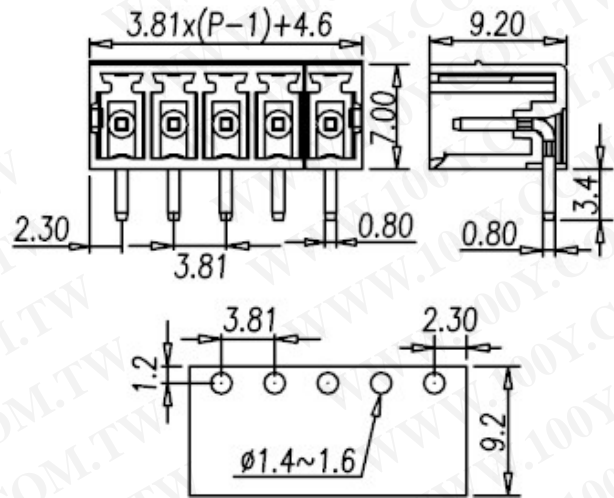
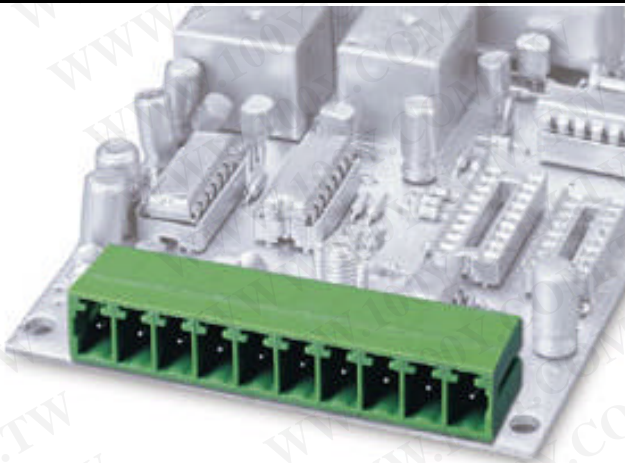



Headers(Socket) for pluggable terminal blocks / ECH & EHD series



ECH381R



Pitch: 3.81 mm

Approval		
Technical Data	UL	IEC
Rated voltage	300V	130V
Rated current	8A	8A
Wire range		
Solid wire (AWG)		
Stranded wire (AWG/mm ²)		
Rated surge voltage (UL/IEC/Max.)	1.6 / 1.25 / 3 KV	
Torque (Lb-in)		
Screw		
Wire strip length		
Pole	Cat. No.	
02	ECH381R-02P	
:	:	
:	:	
24	ECH381R-24P	