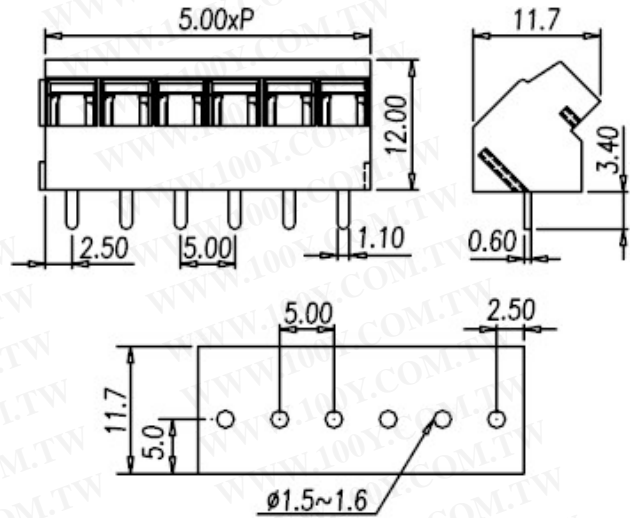




Wire protector type terminal blocks / ED series

**DT-126AP**



**Pitch: 5.00mm**

Approval	 	
Technical Data	UL	IEC
Rated voltage	300V	250V
Rated current	8A	10A
Wire range		1.5mm <sup>2</sup>
Solid wire (AWG)	26~14	
Stranded wire (AWG/mm <sup>2</sup> )	26~14	
Rated surge voltage (UL/IEC/Max.)	1.6 / 2 / 3 KV	
Torque (Lb-in)	4.4	
Screw	M2.5	
Wire strip length	6~7mm	
Pole	Cat. No.	
02	DT-126AP-02P	
03	DT-126AP-03P	