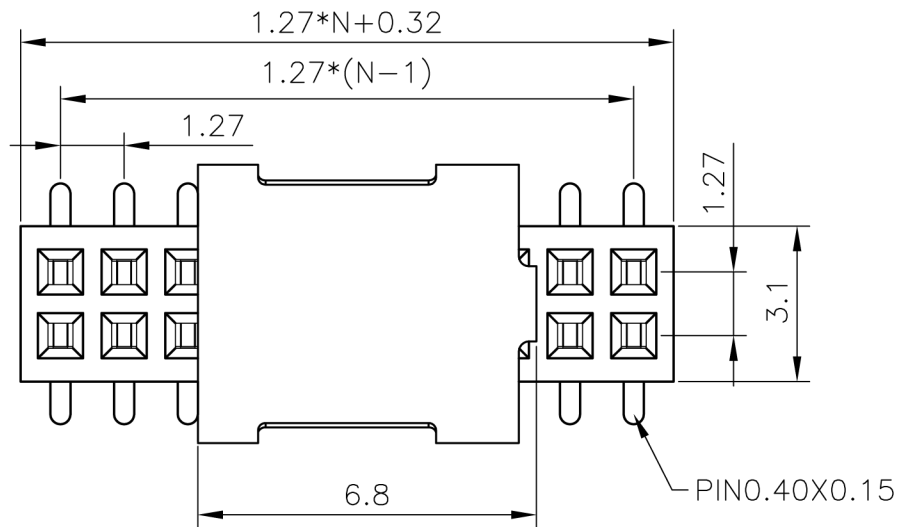
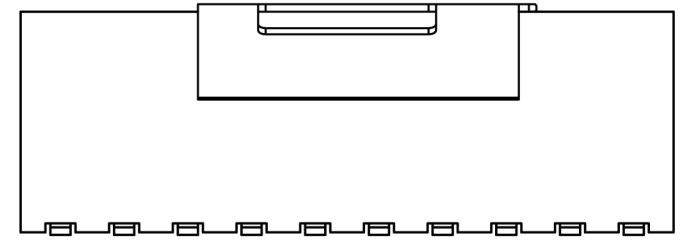


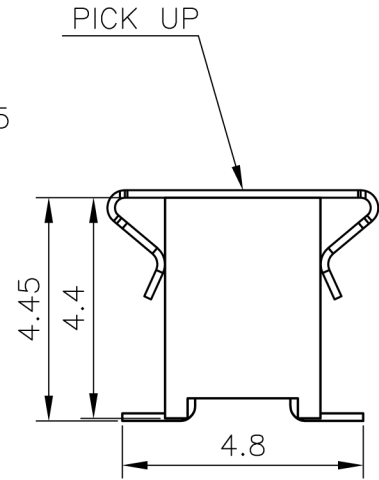
REV.	DESCRIPTION	DRAWN	CHECKED	APPROVED
A	NEW RELEASE	YCH 11/05/08	~	LJC 11/05/08
B	ADD PACKING TYPE	YCH 11/18/13'	~	



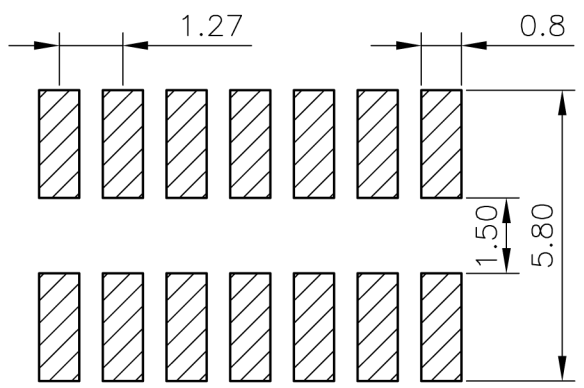
- NOTES:
- SPECIFICATIONS
 - Current Rating: 1A
 - Insulation Resistance: 500MΩ Min
 - Dielectric Withstanding: 300V AC
 - Contact Resistance: 30mΩ Max
 - Operating Temperature: -40°C to +105°C
 - PART NUMBER: DS1065-05
 - PRODUCT NUMBER CODE: DS1065-05 - X X X X X X X



N=No. of contacts/2



- PACKING TYPE
T:TRAY
R:TAPE ON REEL
B:TUBE
- PICK UP SUPPORT
S:W/ PICK UP
X:W/O PICK UP
- MOUNTING TYPE
S:SMT TYPE
- HOUSING COLOR
B:BLACK
- CONTACT PLATING
8: FULL GOLD FLASH
- CONNECTOR TYPE
S:SOCKET
- No.OF CONTACTS
2*1-2*40



RECOMMEND PCB LAYOUT
(TOLERANCE ± 0.05)

GENERAL TOLERANCE		ANGLE TOLERANCE		PROJECTION	TITLE
X.	± 0.60	X.	$\pm 5^\circ$		FEMALE HEADER PITCH 1.27mm
.X	± 0.38	.X	$\pm 3^\circ$	UNITS	S.M.T TYPE
.XX	± 0.25	.XX	$\pm 2^\circ$	SHEET SIZE	A4
DRAWING TYPE		CUSTOMER		SERIES	DS1065-05
SCALE		1:1	SHEET	1 OF 1	
DRAWING NO.		C-DS1065-05-XXXXXXX-B			