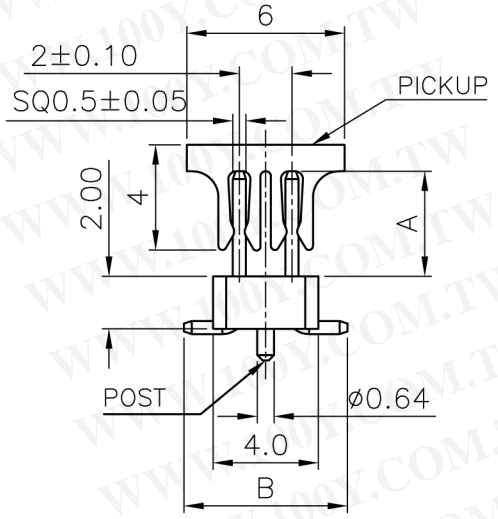
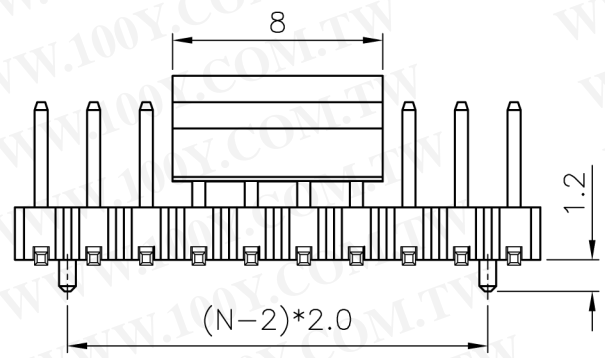
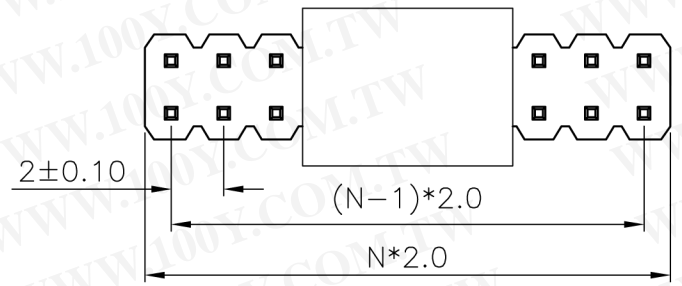


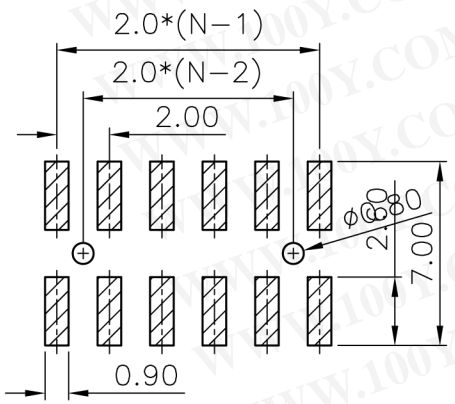
REV.	DESCRIPTION	DRAWN	CHECKED	APPROVED
A	NEW RELEASE	LJC 05/08/05'	~	LJC 05/08/05'
B	整理图纸	YCH 07/19/08'	~	LJC 07/19/08'
C	ADD P/N CODE	YCH 12/03/13'	~	

N=NUMBER OF CONTACTS/2

勝特力材料 886-3-5753170  
 勝特力电子(上海) 86-21-34970699  
 勝特力电子(深圳) 86-755-83298787  
[Http://www.100y.com.tw](http://www.100y.com.tw)

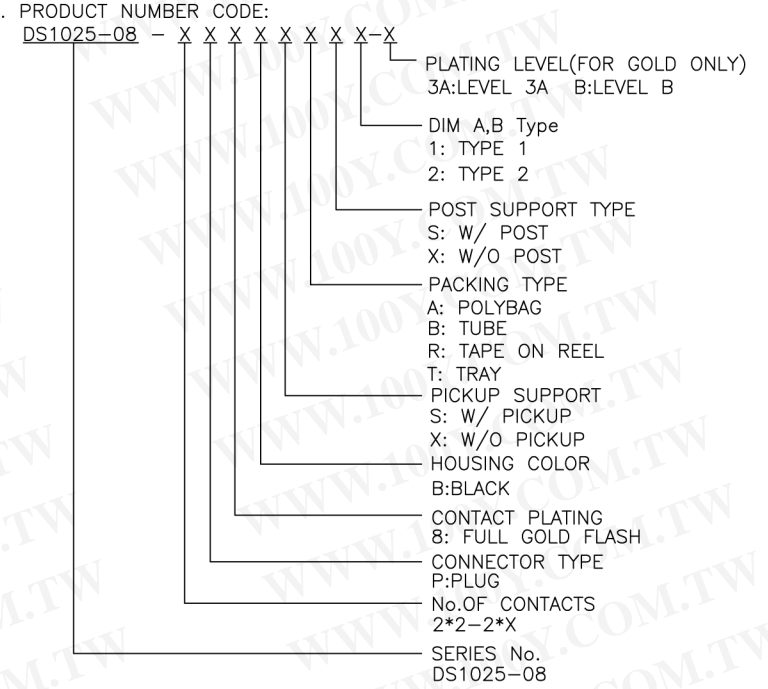


TYPE	DIM A	DIM B
1	4.00	6.20
2	3.50	6.20



NOTES:

- MATERIAL
  - INSULATOR: THERMOPLASTIC(UL 94V-0).
  - CONTACT MATERIAL: COPPER ALLOY.
- SPECIFICATION
  - CURRENT RATING: 1.5 Amp.
  - INSULATION RESISTANCE: 1000MQ Min.
  - DIELECTRIC WITHSTANDING: 600VAC.
  - CONTACT RESISTANCE: 20mΩ Max.
  - OPERATING TEMPERATURE: -40°C TO +105°C.
- PRODUCT NUMBER CODE:



GENERAL TOLERANCE		ANGLE TOLERANCE		PROJECTION		TITLE	2.0 PITCH PIN HEADER SMT TYPE	
X.	±0.60	X.	±5'	UNITS	mm	DUAL ROW W/O LOCATE PEG		
.X	±0.38	.X	±3'	SHEET SIZE	A4	SERIES	DS1025-08 SERIES	
.XX	±0.25	.XX	±2'					
DRAWING TYPE		CUSTOMER						
SCALE	1:1	SHEET	1 OF 1					
DRAWING NO.		C-DS1025-08-XXXXXXXX-X-C						