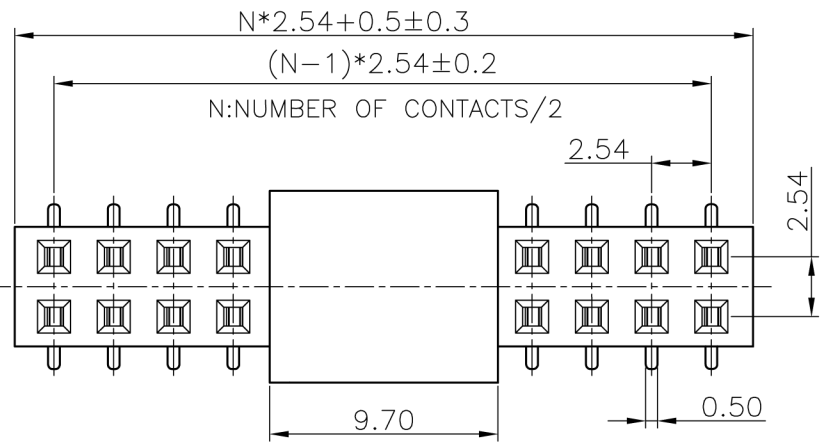
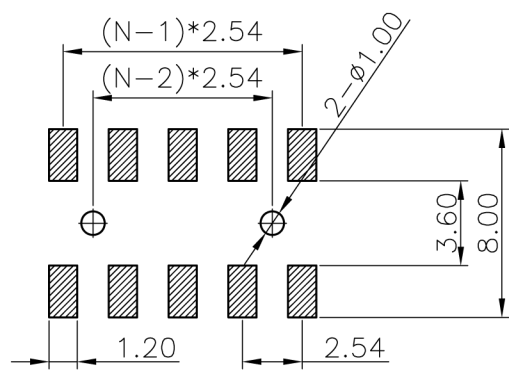
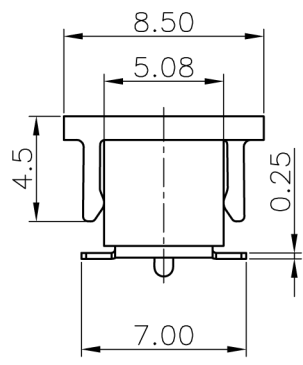
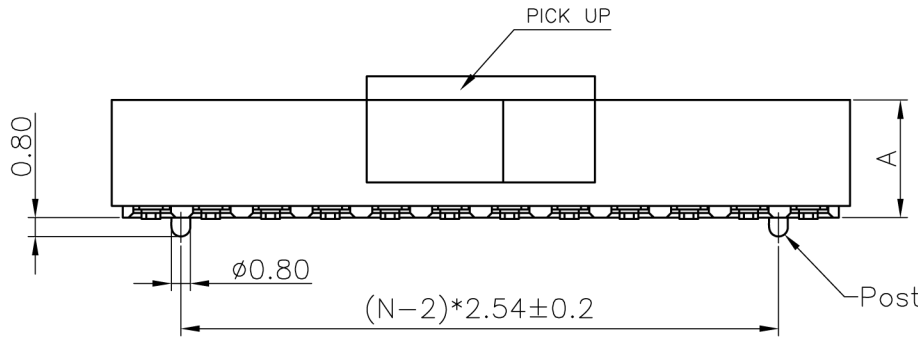


REV.	DESCRIPTION	DRAWN	CHECKED	APPROVED
A	NEW RELEASE	YCH 11/20/07'	~	



DIM.	A
TYPE 1	8.50
TYPE 2	5.00

- NOTES:
- MATERIAL
 - INSULATOR MATERIAL:THERMOPLASTIC(UL 94V-0).
 - CONTACT MATERIAL:COPPER ALLOY.
 - SPECIFICATION
 - TEMPERATURE:-40° to +105°C.
 - DIELECTRIC WITHSTANDING VOLTAGE:AC 500V AC.
 - INSULATION RESISTANCE:1000MΩ min.
 - CONTACT RESISTANCE:20mΩ max.
 - CURRENT RATING:3A.
 - PRODUCT NUMBER CODE:
DS1023-15 - X X X X X X X
 - PROFILE HEIGHT(DIM A)
1: 8.5mm
2: 5.0mm
 - POST SUPPORT
S:W/ POST
X:W/O POST
 - PACKING TYPE
T:TRAY
R:TAPE ON REEL
B:TUBE
 - PICK UP SUPPORT
S:W/ PICK UP
X:W/O PICK UP
 - CONTACT PLATING
8: FULL GOLD FLASH
0: Selective gold flash
 - HOUSING COLOR
B:BLACK
 - No.OF CONTACTS
2*2-2*40



GENERAL TOLERANCE		ANGLE TOLERANCE		PROJECTION		TITLE	FEMALE HEADER PITCH	
X.	±0.60	X.	±5°	UNITS	mm	2.54mm SMT TYPE H=8.5/5.0mm		
.X	±0.38	.X	±3°	SHEET SIZE	A4	SERIES	DS1023-15 SERIES	
.XX	±0.25	.XX	±2°					
DRAWING TYPE		CUSTOMER						
SCALE	1:1	SHEET	1 OF 1					
DRAWING NO.		C-DS1023-15-XXXXXXX						