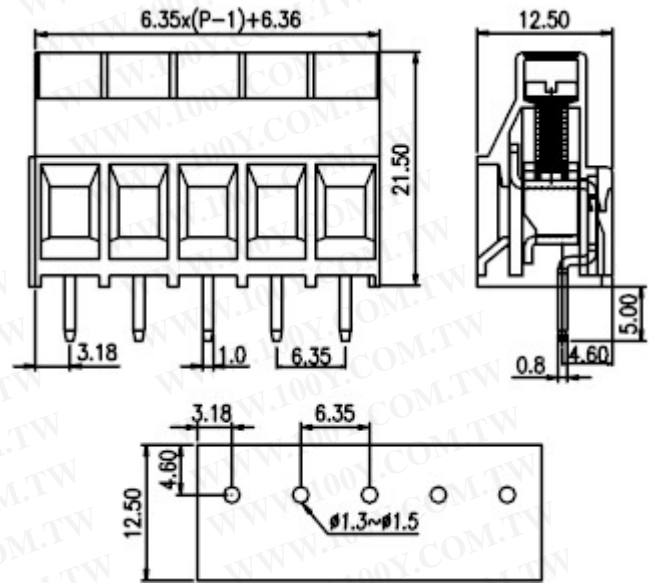
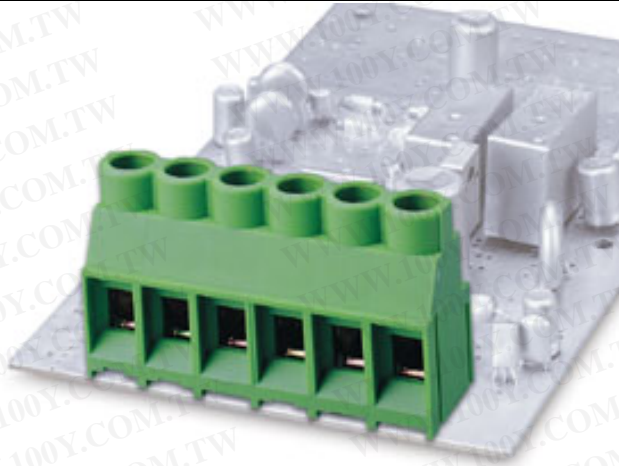


European P.C.B. type terminal blocks / EK series

ESK635V



Pitch: 6.35mm

Approval		
Technical Data	UL	IEC
Rated voltage	300V	450V
Rated current	30A	32A
Wire range	4.0mm ²	
Solid wire (AWG)	26~10	
Stranded wire (AWG/mm ²)	26~10	
Rated surge voltage (UL/IEC/Max.)	1.6 / 2.5 / 4 KV	
Torque (Lb-in)	7	
Screw	M3	
Wire strip length	10~11mm	
Pole	Cat. No.	
02	ESK635V-02P	
:	:	
:	:	
12	ESK635V-12P	

勝特力材料 886-3-5753170
 勝特力电子(上海) 86-21-54151736
 勝特力电子(深圳) 86-755-83298787
[Http://www.100y.com.tw](http://www.100y.com.tw)