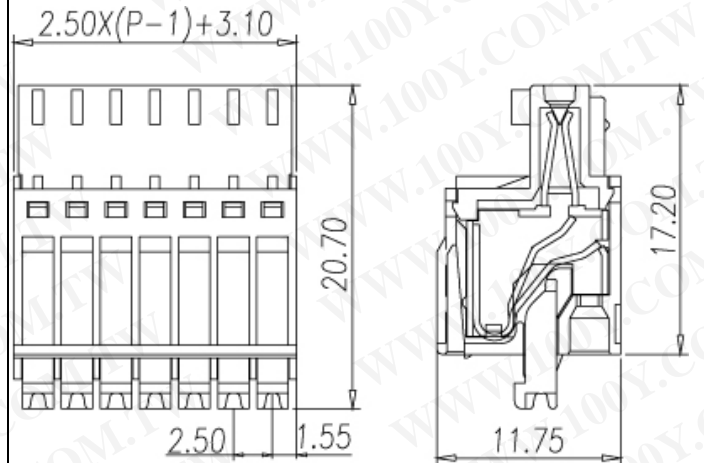


Spring plugs for pluggable terminal blocks / ESC & ESD series



ESC250V



Pitch: 2.50mm

Approval		
Technical Data	UL	IEC
Rated voltage	150V	130V
Rated current	4A	4A
Wire range		0.5mm ²
Solid wire (AWG)	28~20	
Stranded wire (AWG/mm ²)		
Rated surge voltage (UL/IEC/Max.)	1.3 / 1.25 / KV	
Torque (Lb-in)		
Screw		
Wire strip length	8~9mm	
Pole	Cat. No.	
02	ESC250V-02P	
:	:	
:	:	
24	ESC250V-24P	