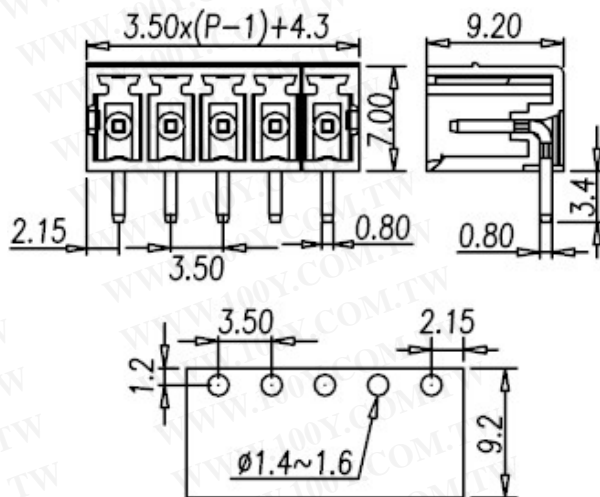
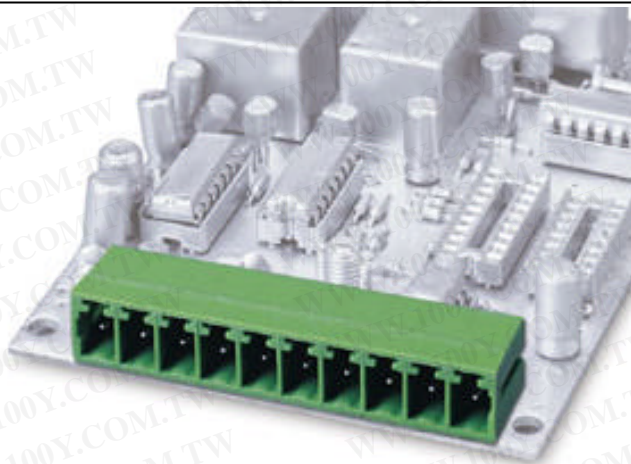


Headers(Sockets) for pluggable terminal blocks / ECH & EHD series



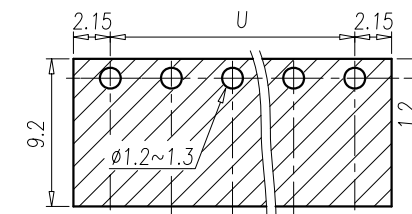
ECH350R



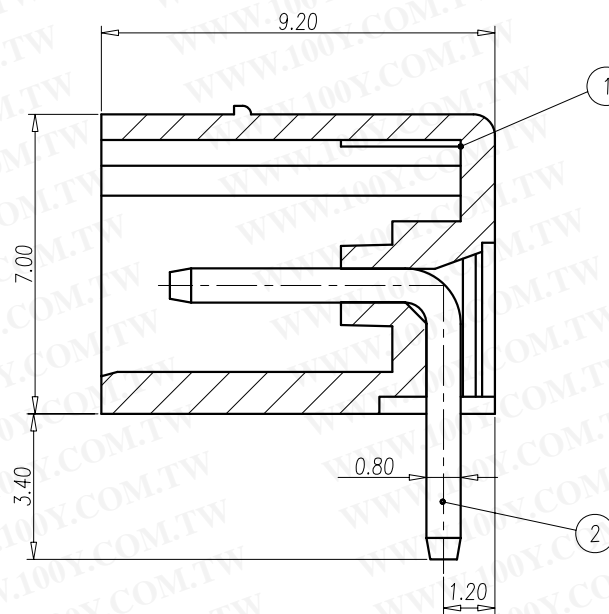
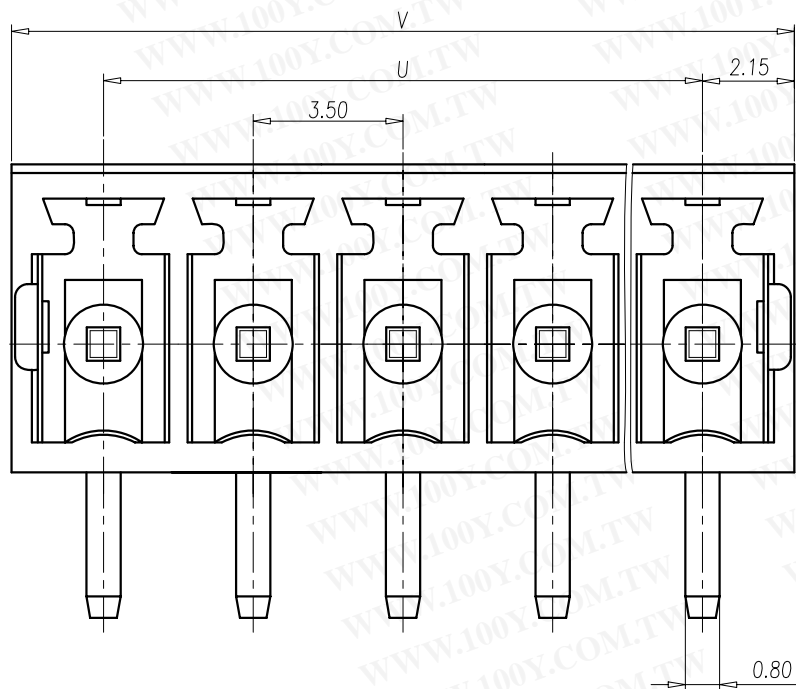
Pitch: 3.50mm

Approval		
Technical Data	UL	IEC
Rated voltage	300V	130V
Rated current	8A	8A
Wire range		
Solid wire (AWG)		
Stranded wire (AWG/mm ²)		
Rated surge voltage (UL/IEC/Max.)	1.6 / 1.25 / 3 KV	
Torque (Lb-in)		
Screw		
Wire strip length		
Pole	Cat. No.	
02	ECH350R-02P	
:	:	
:	:	
24	ECH350R-24P	

勝特力材料 886-3-5753170
勝特力电子(上海) 86-21-34970699
勝特力电子(深圳) 86-755-83298787
[Http://www.100y.com.tw](http://www.100y.com.tw)



P.C.B. LAYOUT(REF)



NOTES:

1. Rating: 300V 8A (IEC 125V 12A)
PITCH: 3.50mm
2. Insulation Withstands Voltage:
AC 2000 V at 1 minute
3. Insulation Resistance:
500M Ω or more at DC500V
4. Using Temperature Range:
-40°C~+105°C
5. RoHS Compliance

Normal Geometric Tolerancing			
—	//	\equiv	\perp
0 to 100	0.2	0 to 10	0.2
over 100 to 150	0.3	over 10	0.3
over 150	0.5		
Total Pitch Tolerances		Normal dimension Tolerances	
0<U<=30	± 0.20	0~30	± 0.25
30<U<=53	± 0.25	over 30~53	± 0.30
53<U<=70	± 0.30	over 53~70	± 0.35
70<U<=90	± 0.35	over 70~90	± 0.44
90<U<=115	± 0.44	over 90~115	± 0.55
115<U<=150	± 0.55	over 115~150	± 0.70

P	2	3	4	5	6	7	8	9
U	3.50	7.00	10.50	14.00	17.50	21.00	24.50	28.00
V	7.80	11.30	14.80	18.30	21.80	25.30	28.80	32.30
P	10	11	12	13	14	15	16	17
U	31.50	35.00	38.50	42.00	45.50	49.00	52.50	56.00
V	35.80	39.30	42.80	46.30	49.80	53.30	56.80	60.30
P	18	19	20	21	22	23	24	
U	59.50	63.00	66.50	70.00	73.50	77.00	80.50	
V	63.80	67.30	70.80	74.30	77.80	81.30	84.80	

2	SOLDER PIN	COPPER-ALLOY	Tin Plated
1	HOUSING	PA66	UL94-V0 GREEN
ITEM	NAME OF PART	MATERIAL	NOTES

DWG.	LIXU	DATE	09.08.03	UNITS	MM	SHEET/OF	1 / 1
CHK.		DATE		SCALE	8:1 (:)		
APP.		DATE		NAME	ECH350R-XXP		
				DWG NO.	SP-03-ECH350R0		

REV.	CONTENT	CHK.	DATE