

# Ribbon Connector

## 57 Series

DDK Ltd.



勝特力材料 886-3-5753170  
 勝特力电子(上海) 86-21-34970699  
 勝特力电子(深圳) 86-755-83298787  
[Http://www.100y.com.tw](http://www.100y.com.tw)

### FEATURE

- 57 series is ribbon connectors which is available in various mating styles ; rack and panel, cable to panel and PCB mounting types.

### SPECIFICATIONS

|                              |   |
|------------------------------|---|
| Rated Voltage                | 500V AC (r.m.s.)                                |
| Rated Current                | 5A / Contact                                    |
| Dielectric Withstand Voltage | 1200V AC (r.m.s.) / 1 minute                    |
| Insulation Resistance        | 1000M Ω min. at 500V DC                         |
| Contact Resistance           | 5m Ω max.                                       |
| Operating Temperature        | - 55°C ~ + 105°C                                |
| Applicable Cable             | AWG#22 (Solid Cable)<br>AWG#24 (Stranded Cable) |

### Material/ Finish

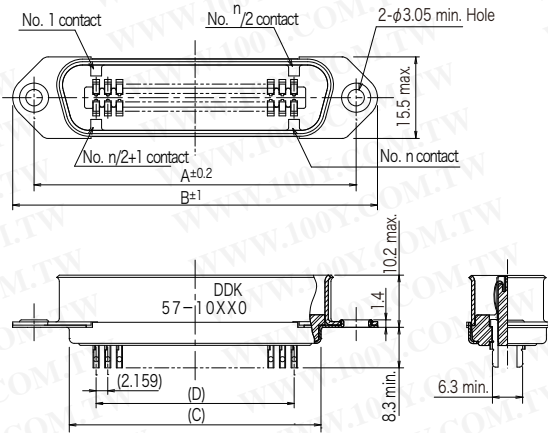


| Item          | Material / Finish          |
|---------------|----------------------------|
| Insulator     | DAP Resin (UL94V-0) / Blue |
| Contact       | Copper Alloy / Au Plating  |
| Shell         | Copper Alloy / Ni Plating  |
| Float bushing | Copper Alloy / Ni Plating  |
| Boot          | PVC (for 30 and 60 Type)   |

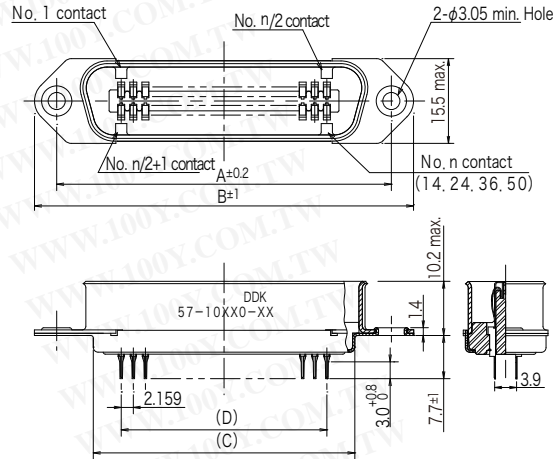
© Specifications and/or dimensions in this catalog are subject to change without notice.  
 Please verify the latest specifications with our drawings.

▶ 57-10 Type Plug for Rack and Panel

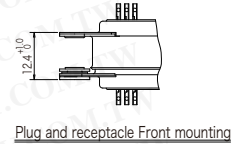
■ Solder Cup Type



■ Solder DIP Type

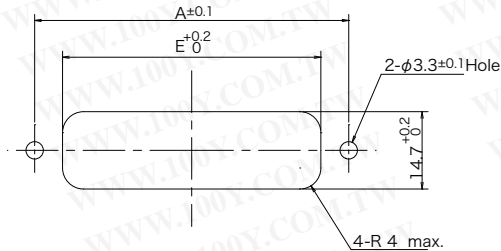


| Number of Contact | Part Number |             | Dimensions |      |      |        |
|-------------------|-------------|-------------|------------|------|------|--------|
|                   | Solder Cup  | Solder DIP  | A          | B    | C    | D      |
| 14                | 57-10140    | 57-10140-4  | 36.0       | 43.9 | 22.9 | 12.954 |
| 24                | 57-10240    | —————       | 46.8       | 54.7 | 33.7 | 23.749 |
| 36                | 57-10360    | 57-10360-13 | 59.7       | 67.7 | 46.7 | 36.703 |
| 50                | 57-10500    | 57-10500-27 | 74.9       | 82.8 | 61.8 | 51.816 |

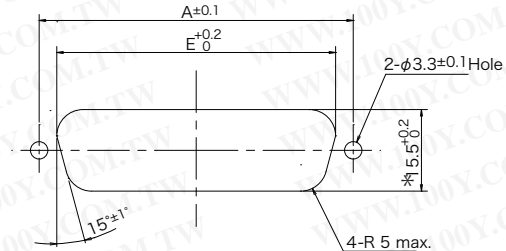


■ Panel Mounting Dimensions

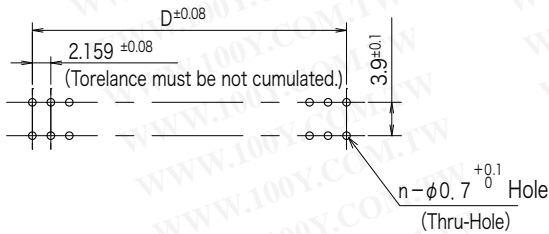
● Front Mounting Type



● Rear Mounting Type



■ PCB Mounting Dimensions (PCB Thickness : 1.6mm)



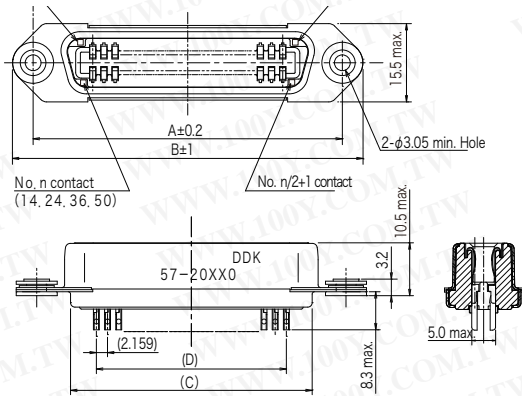
| Number of Contact | A    | D      | E    |
|-------------------|------|--------|------|
| 14                | 36.0 | 12.954 | 29.3 |
| 24                | 46.8 | —————  | 40.1 |
| 36                | 59.7 | 36.703 | 53.0 |
| 50                | 74.9 | 51.816 | 68.2 |

\* : When the mating connector is 57FE-10 type, the size is 16.2<sup>+0.2</sup>/<sub>0</sub>.

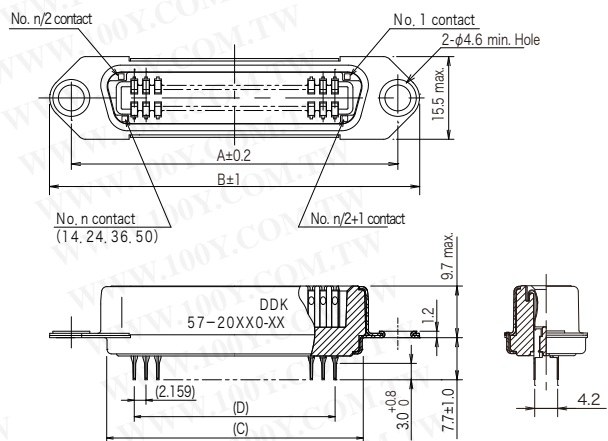
© Specifications and/or dimensions in this catalog are subject to change without notice.  
Please verify the latest specifications with our drawings.

▶ 57-20 Type : Receptacle for Rack and Panel

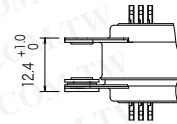
■ Solder Cup Type



■ Solder DIP Type



| Number of Contact | Part Number |             | Dimensions |      |      |        |
|-------------------|-------------|-------------|------------|------|------|--------|
|                   | Solder Cup  | Solder DIP  | A          | B    | C    | D      |
| 14                | 57-20140    | 57-20140-8  | 36.0       | 43.9 | 22.9 | 12.954 |
| 24                | 57-20240    | 57-20240-8  | 46.8       | 54.7 | 33.7 | 23.749 |
| 36                | 57-20360    | —————       | 59.7       | 67.7 | 46.7 | 36.703 |
| 50                | 57-20500    | 57-20500-31 | 74.9       | 82.8 | 61.8 | 51.816 |

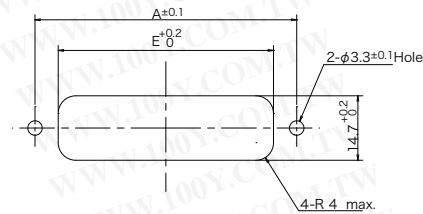


Plug and Receptacle Front Mounting

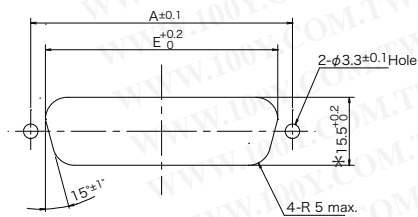
■ Panel Mounting Dimensions

Solder Cup Type

● Front Mounting Type

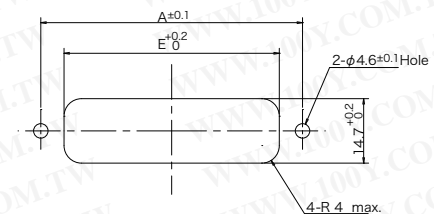


● Rear Mounting Type

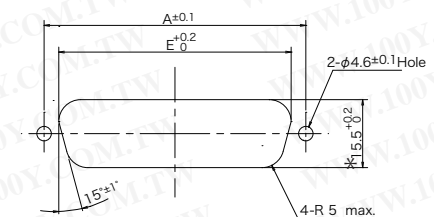


Solder DIP Type

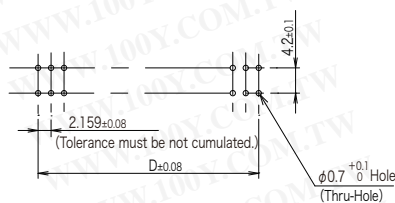
● Front Mounting Type



● Rear Mounting Type



■ PCB Mounting Dimensions (Thickness: 1.6mm)



| Number of Contact | A    | D      | E    |
|-------------------|------|--------|------|
| 14                | 36.0 | 12.954 | 29.3 |
| 24                | 46.8 | 23.749 | 40.1 |
| 36                | 59.7 | —————  | 53.0 |
| 50                | 74.9 | 51.816 | 68.2 |

\* : When the mating connector is 57FE-10 type, the size is 16.2<sup>+0.2</sup><sub>0</sub>.

© Specifications and/or dimensions in this catalog are subject to change without notice.  
Please verify the latest specifications with our drawings.

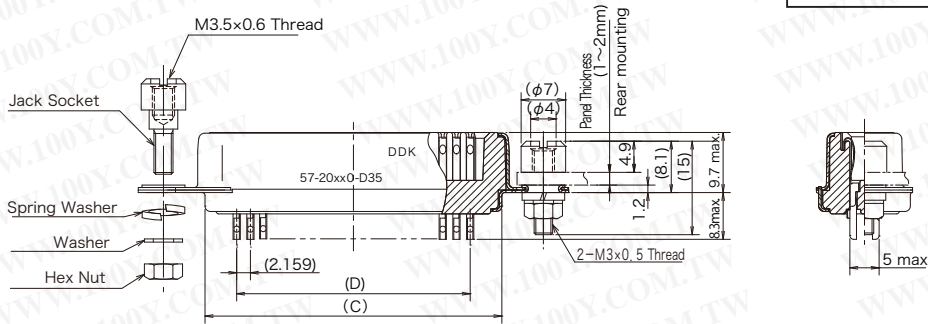
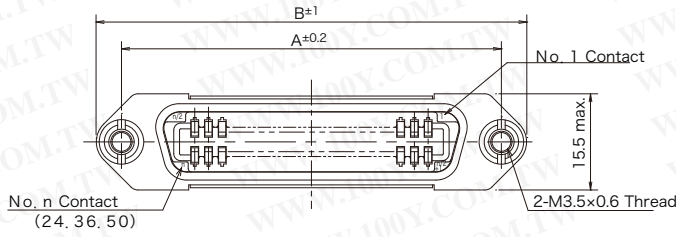
▶ 57-20 Type with Jack Socket

57-20240-D35-CG

Number of Contact : 24, 36, 50

CG : Lead and Cadmium Free

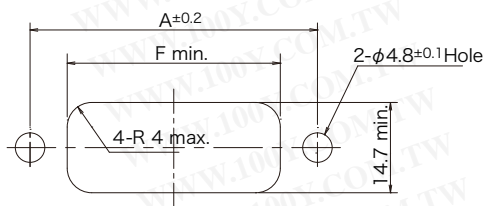
Deviation  
D35 : with Jack Socket



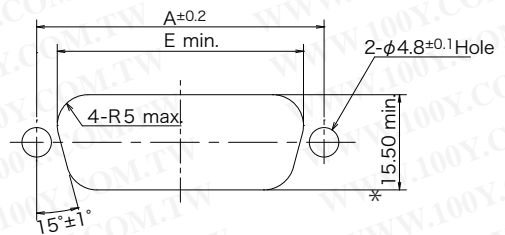
| Number of Contact | A    | B    | C    | D      |
|-------------------|------|------|------|--------|
| 24                | 46.8 | 54.7 | 33.7 | 23.749 |
| 36                | 59.7 | 67.7 | 46.7 | 36.703 |
| 50                | 74.9 | 82.8 | 61.8 | 51.816 |

■ Panel Mounting Dimensions

● Front Mounting Type



● Rear Mounting Type

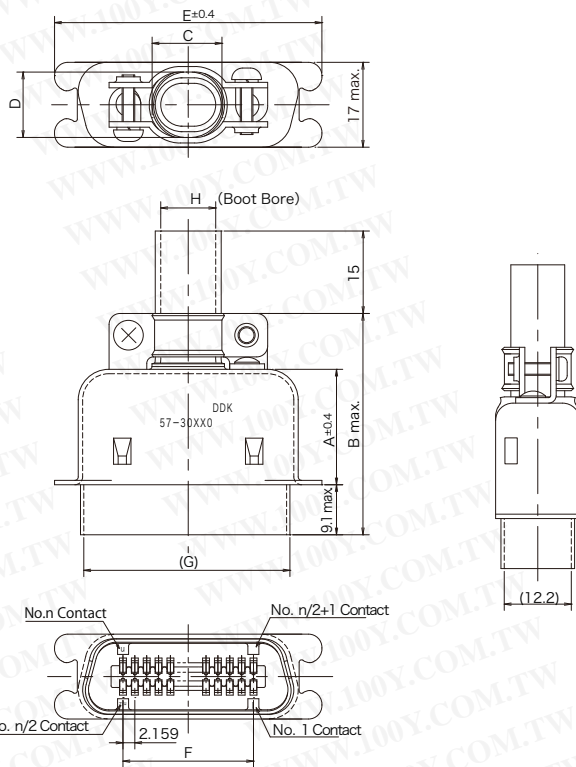


| Number of Contact | A    | E    | F    |
|-------------------|------|------|------|
| 24                | 46.8 | 40.1 | 36.1 |
| 36                | 59.7 | 53.0 | 49.1 |
| 50                | 74.9 | 68.2 | 64.1 |

\* : When the mating connector is 57FE-10 type, the size is  $16.2^{+0.2}_0$ .

© Specifications and/or dimensions in this catalog are subject to change without notice.  
Please verify the latest specifications with our drawings.

▶ 57-30 Type : Cable Plug, Top cable entry

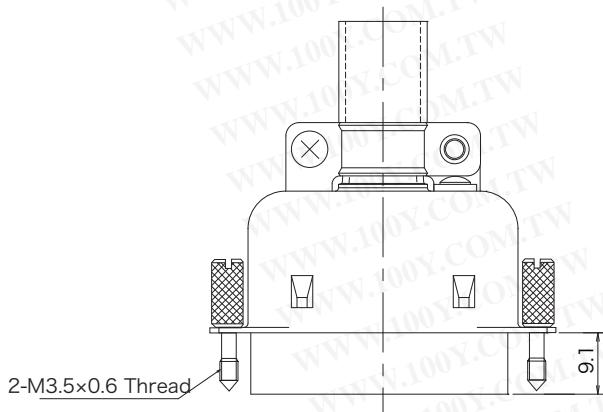
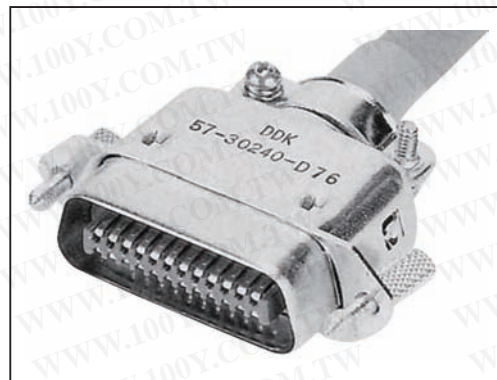


| Number of Contact | Part Number (Solder Cup) | A    | B    | C    | D    | E    | F      | G (ref.) | H        |
|-------------------|--------------------------|------|------|------|------|------|--------|----------|----------|
| 14                | 57-30140                 | 21.4 | 41.4 | 8.6  | 11.8 | 37.8 | 12.954 | 25.5     | 6.5×9.8  |
| 24                | 57-30240                 | 21.0 | 41.0 | 13.2 | 11.9 | 48.6 | 23.749 | 36.5     | 11.1×9.8 |
| 36                | 57-30360                 | 23.0 | 43.0 | 16.0 | 11.9 | 61.6 | 36.703 | 49.2     | 13.9×9.8 |
| 50                | 57-30500                 | 25.4 | 45.4 | 19.2 | 11.9 | 76.7 | 51.816 | 64.3     | 17.0×9.8 |

■ with Knuring Screw

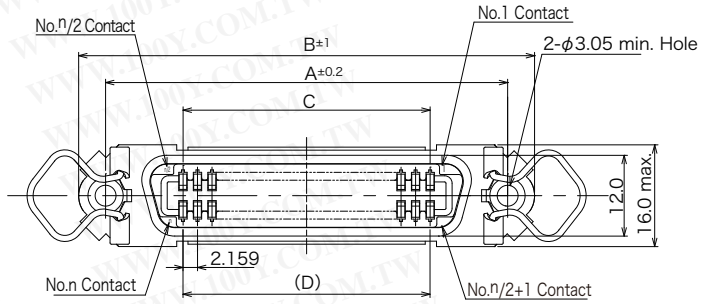
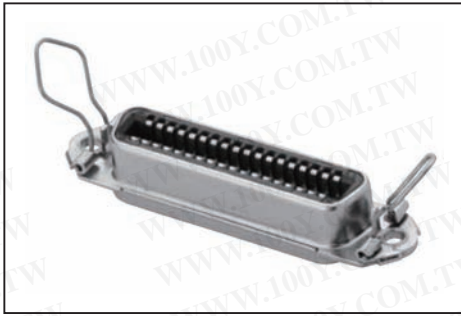
57-30240-D76

Number of Contact : 14, 24, 36, 50

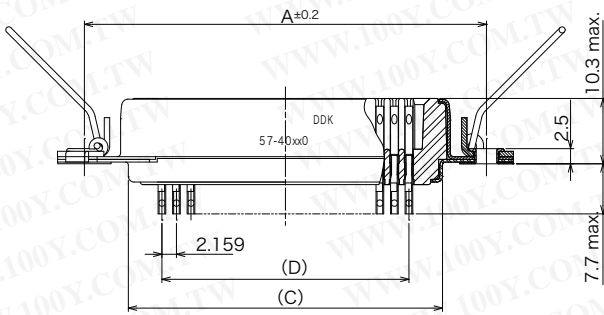


© Specifications and/or dimensions in this catalog are subject to change without notice.  
Please verify the latest specifications with our drawings.

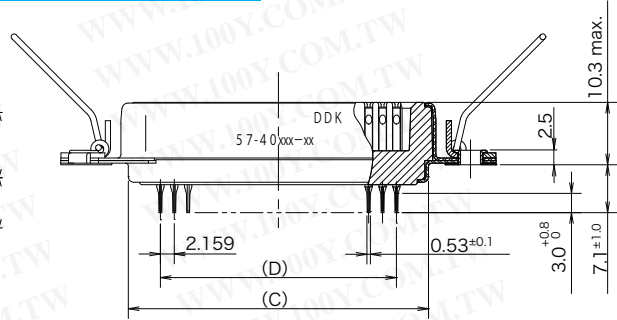
▶ 57-40 Type : Panel Receptacle



■ Solder Cup Type



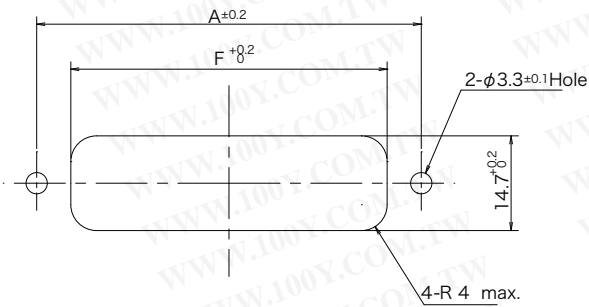
■ Solder DIP Type



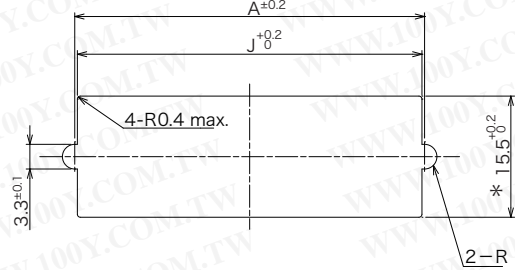
| Number of Contact | Part Number |             | Dimensions |      |      |        |
|-------------------|-------------|-------------|------------|------|------|--------|
|                   | Solder Cup  | Solder DIP  | A          | B    | C    | D      |
| 14                | 57-40140    | 57-40140-8  | 36.0       | 43.9 | 22.9 | 12.954 |
| 24                | 57-40240    | 57-40240-9  | 46.8       | 54.7 | 33.7 | 23.749 |
| 36                | 57-40360    | 57-40360-12 | 59.7       | 67.7 | 46.7 | 36.703 |
| 50                | 57-40500    | 57-40500-9  | 74.9       | 82.8 | 61.8 | 51.816 |

■ Panel Mounting Dimensions

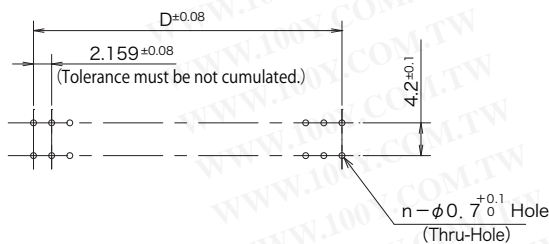
● Front Mounting Type



● Rear Mounting Type



■ PCB Mounting Dimensions (Thickness : 1.6mm)

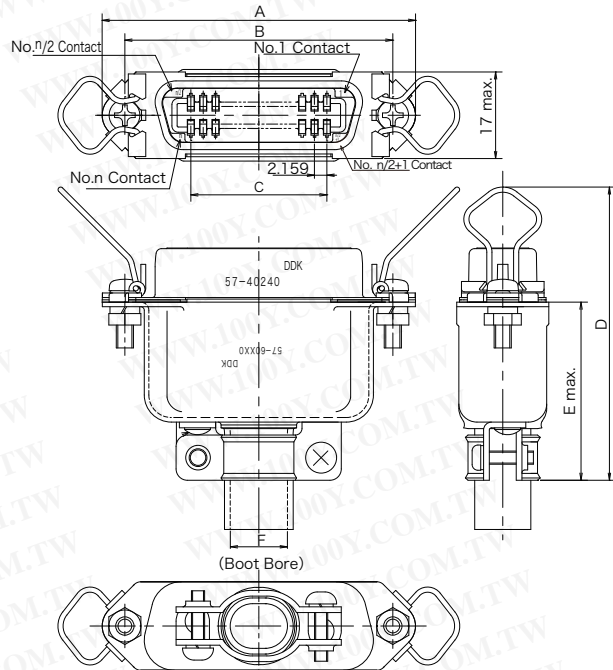
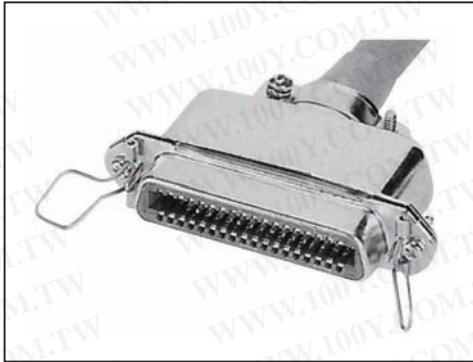


| Number of Contact | A    | D      | F    | J     |
|-------------------|------|--------|------|-------|
| 14                | 36.0 | 12.954 | 23.9 | 35.30 |
| 24                | 46.8 | 23.749 | 34.7 | 46.08 |
| 36                | 59.7 | 36.703 | 47.7 | 59.04 |
| 50                | 74.9 | 51.816 | 62.8 | 74.15 |

\* : When the mating connector is 57FE-10 type, the size is 16.2<sup>+0.2</sup><sub>0</sub>.

© Specifications and/or dimensions in this catalog are subject to change without notice.  
Please verify the latest specifications with our drawings.

## ▶ 57-60 Type : Receptacle for Cable

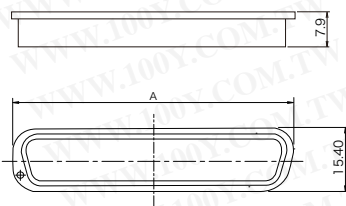


| Number of Contact | Part Number (Solder Cup) | Dimensions |      |        |      |      |          |
|-------------------|--------------------------|------------|------|--------|------|------|----------|
|                   |                          | A          | B    | C      | D    | E    | F        |
| 14                | 57-60140                 | 43.9       | 36.0 | 12.954 | 56.7 | 32.5 | 6.5×9.8  |
| 24                | 57-60240                 | 54.7       | 46.8 | 23.749 | 56.2 | 32.1 | 11.1×9.8 |
| 36                | 57-60360                 | 67.7       | 59.7 | 36.703 | 58.2 | 34.1 | 13.9×9.8 |
| 50                | 57-60500                 | 82.8       | 74.9 | 51.816 | 60.5 | 36.5 | 17.0×9.8 |

## ▶ Dust Cover

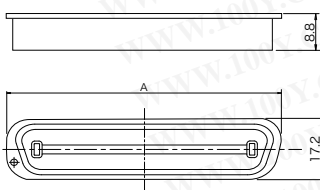
- Material : Polythene (PE) / Blue (for Plug), Red (for Receptacle)

## for Plug (57-10,57-30)



| Number of Contact | Part Number | A    |
|-------------------|-------------|------|
| 14                | 57-14P      | 29.6 |
| 24                | 57-24P      | 40.4 |
| 36                | 57-36P      | 53.2 |
| 50                | 57-50P      | 68.6 |

## for Receptacle (57-20, 57-40, 57-60)

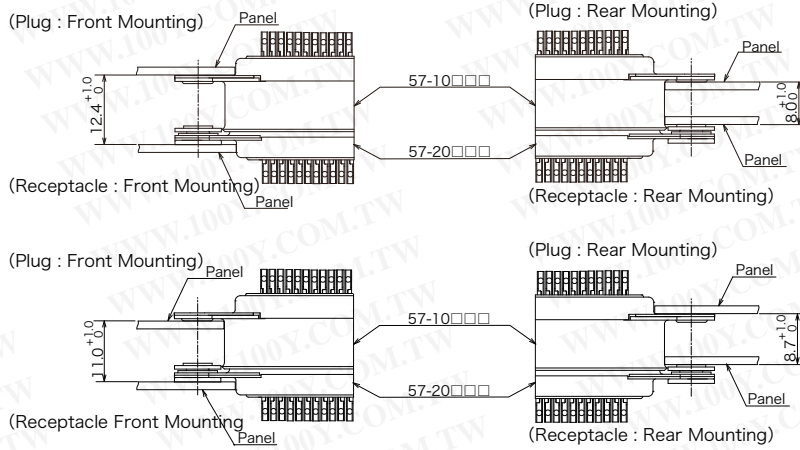


| Number of Contact | Part Number | A    |
|-------------------|-------------|------|
| 14                | 57-14S      | 30.0 |
| 24                | 57-24S      | 42.0 |
| 36                | 57-36S      | 53.8 |
| 50                | 57-50S      | 69.0 |

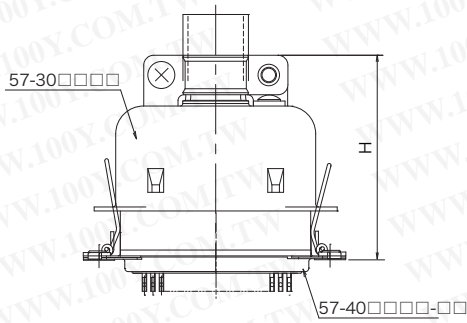
▶ 57 series mating distance

● 57-10 /57-20

• The mating distance between panels are different to the mounting position.

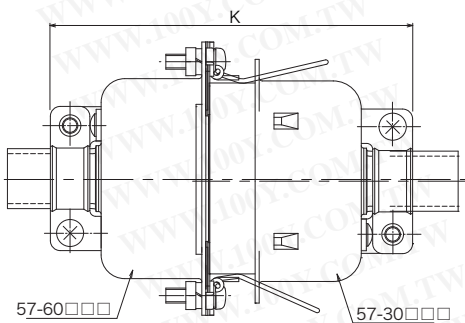


● 57-30 /57-40



| Number of contact | H    |
|-------------------|------|
| 14                | 42.5 |
| 24                | 42.0 |
| 36                | 44.0 |
| 50                | 46.7 |

● 57-30 / 57-60



| Part Number | Receptacle        |      | Plug Part Number |
|-------------|-------------------|------|------------------|
|             | Number of Contact | K    |                  |
| 57-60140    | 14                | 74.0 | 57-30140         |
| 57-60240    | 24                | 73.1 | 57-30240         |
| 57-60360    | 36                | 77.7 | 57-30360         |
| 57-60500    | 50                | 81.9 | 57-30500         |

勝特力材料 886-3-5753170  
 勝特力电子(上海) 86-21-34970699  
 勝特力电子(深圳) 86-755-83298787  
[Http://www.100y.com.tw](http://www.100y.com.tw)

© Specifications and/or dimensions in this catalog are subject to change without notice.  
 Please verify the latest specifications with our drawings.