

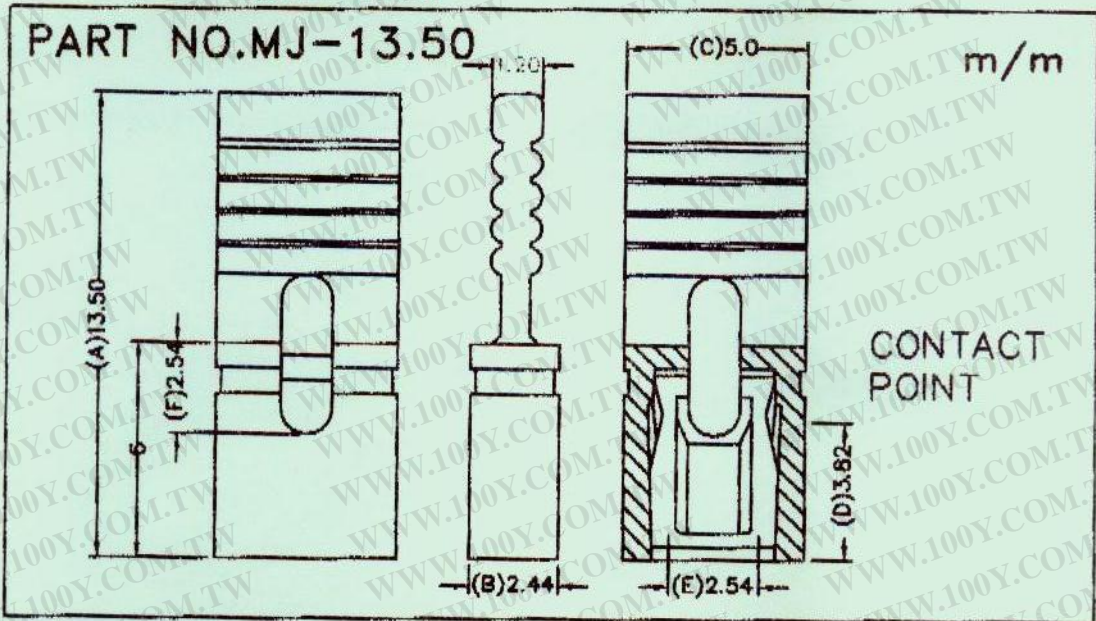
MINI JUMPER

ORDER INFORMATION — PART NO

FOR EXAMPLE: MJ-13.50

* 以下圖示塑膠公差為±0.20
金屬件公差為±0.05

勝特力材料 886-3-5753170
勝特力電子(上海) 86-21-54151736
勝特力電子(深圳) 86-755-83298787
[Http://www.100y.com.tw](http://www.100y.com.tw)



FEATURES

Double tuning fork type contact guarantees high reliability.
2.54MM pitch Low-Profile mini type Match to 0.64mm sq. posts.

MATERIAL

- Insulator. 21SPC NY66 (94V-2)
- Contact. Gold Plated
- Terminal. Phosphor Bronze

SPECIFICATIONS

- Current Rating: 3 amperes MAX
- Contact Resistance: 30mΩ MAX
- Insulation Resistance: 1000 megohms MAX
- Dielectric Withstanding Voltage: AC 650 volts RMS at sea level

PART NO.	TYPE	BODY HEIGHT
MJ-13.50H	OPEN	13.5M/M

S=1:0.2 YM00805