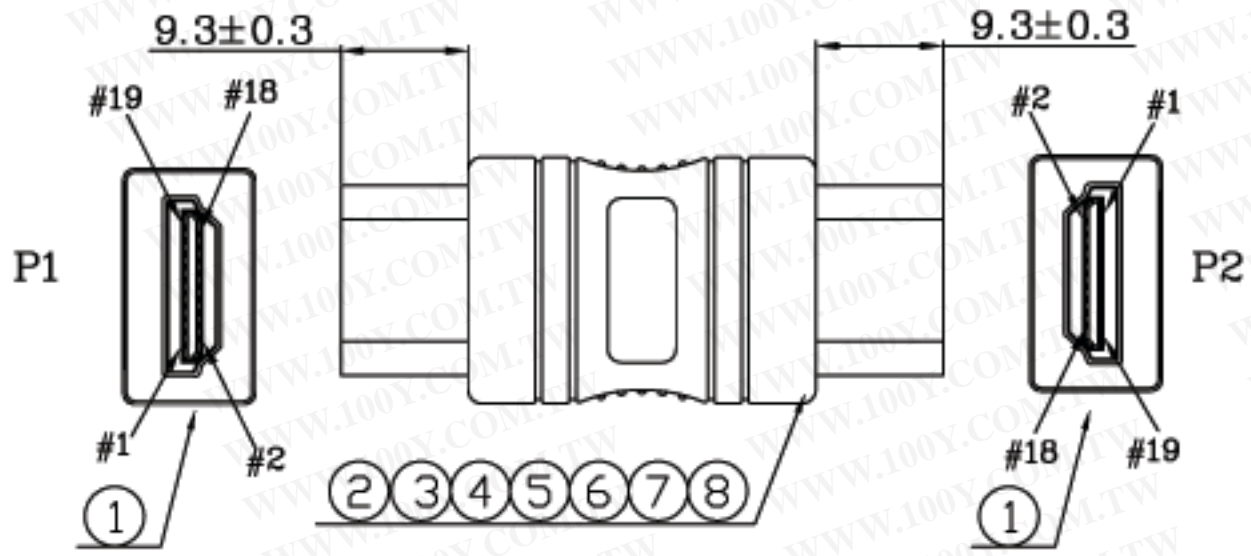


| DESCRIPTION CONTROL | | | |
|---------------------|------|------|--------|
| REV | DESC | DATE | ECN NO |
| | | | |
| | | | |



30
RoHS
compliant
20

勝特力材料 886-3-5753170
 勝特力电子(上海) 86-21-34970699
 勝特力电子(深圳) 86-755-83298787
[Http://www.100y.com.tw](http://www.100y.com.tw)

| PIN ASSIGNMENT | |
|----------------|----|
| P1 | P2 |
| 1 | 1 |
| 3 | 3 |
| 2 | 2 |
| 4 | 4 |
| 6 | 6 |
| 5 | 5 |
| 7 | 7 |
| 9 | 9 |
| 8 | 8 |
| 10 | 10 |
| 12 | 12 |
| 11 | 11 |
| 13 | 13 |
| 15 | 15 |
| 16 | 16 |
| 17 | 17 |
| 19 | 19 |
| 18 | 18 |
| S | S |

| NO | TYPE | DESCRIPTION | QTY | UNIT |
|----|--------------|------------------------------------|---------|------|
| * | XXXXXX | LABEL/50*25MM (見PB袋中間及紙箱兩個噴左上角) | 403/400 | PCS |
| * | 330010004079 | 無毒標籤 35*22MM | 42/400 | PCS |
| * | 390 | PE BAG/30*28*0.08MM | 1/400 | PCS |
| * | 390 | CARTON/46*30*20CM | 1/400 | PCS |
| * | 390 | PE BAG/6*8*0.06MM | 1/10 | PCS |
| * | 370 | PE BAG/3.5*3.5*0.06MM | 1 | PCS |
| 8 | 120010000031 | PVC-BLACK10/50 | 6.0 | G |
| 7 | 370 | SOL-WIRE-FUL-TIN-1.2 | 2.0 | G |
| 6 | 370 | FOIL-CU/18MM | 45*1 | MM |
| 5 | 370 | HI TEAMP TAPE/W/8MM/L/70MM | 1 | PCS |
| 4 | 370 | PB-5321 | 3.5 | G |
| 3 | 220 | SOL-WIRE-FULL-TIN-1.0 | 1.0 | G |
| 2 | PDNA0015A | PCB : DN0015 (兩端第4PIN斷開) | 1 | PCS |
| 1 | 110640000064 | HDMI A type Conn , MALE (夾板式) | 2 | PCS |

RoHS COMPLIANT

| | | |
|---------------|-----------------|--|
| OUTER MOLDING | MG HDMI-HDMI166 | |
| INNER MOLDING | MG HDMI-HDMI167 | |



| | | | |
|--|-----------------|-------------|------------------|
| | ITEM: AB562-R | REV: R | |
| | DRAW, BY: ZHONG | SCALE: NONE | DATE: 2006-10-31 |
| | CHECKED, BY: | | PAGE: 1/1 |

ALL DIMENSIONS IN mm