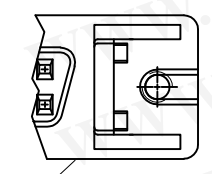
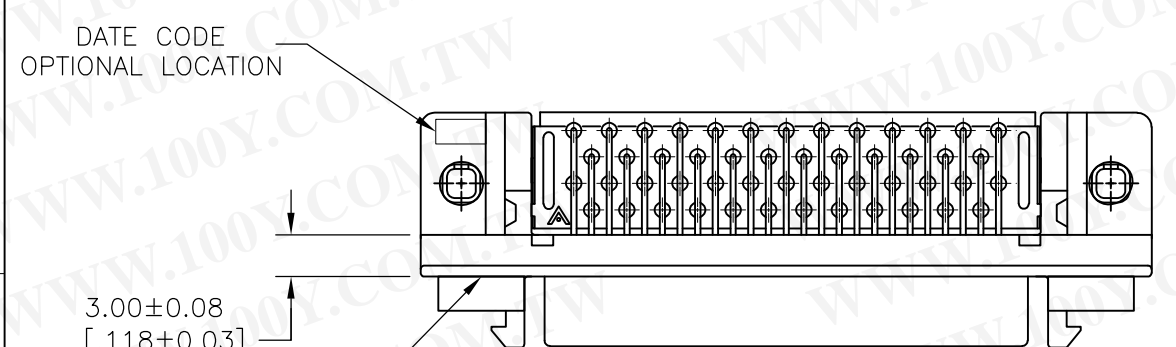


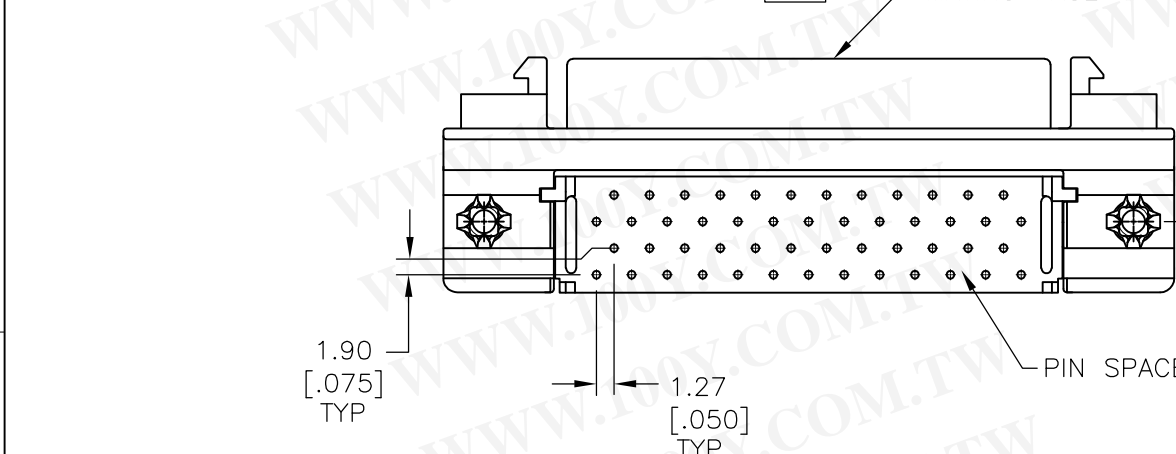
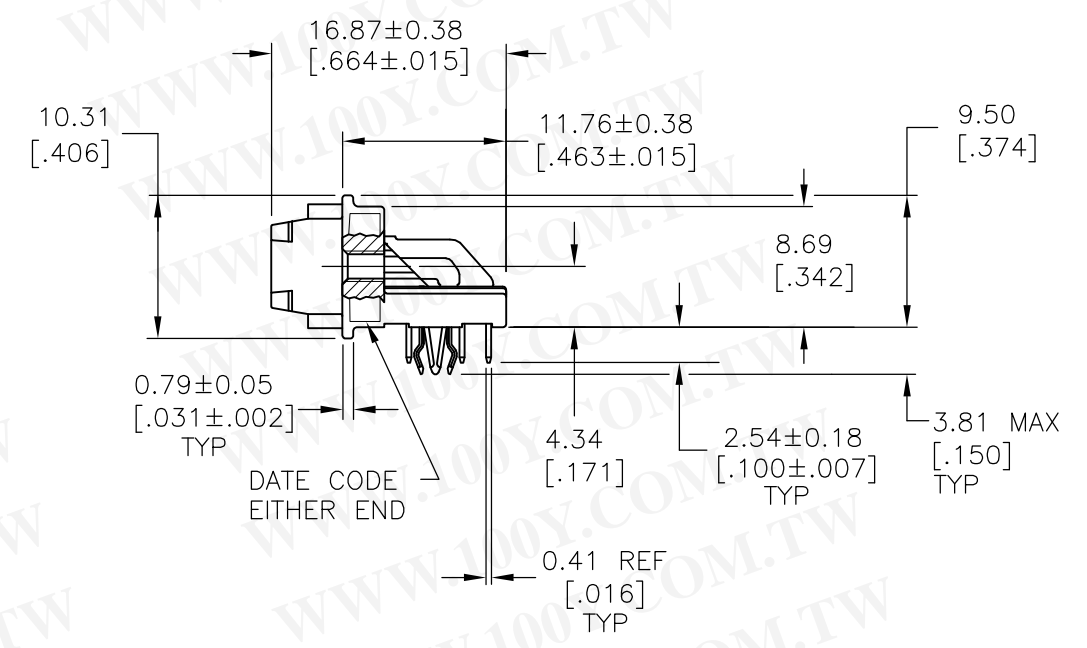
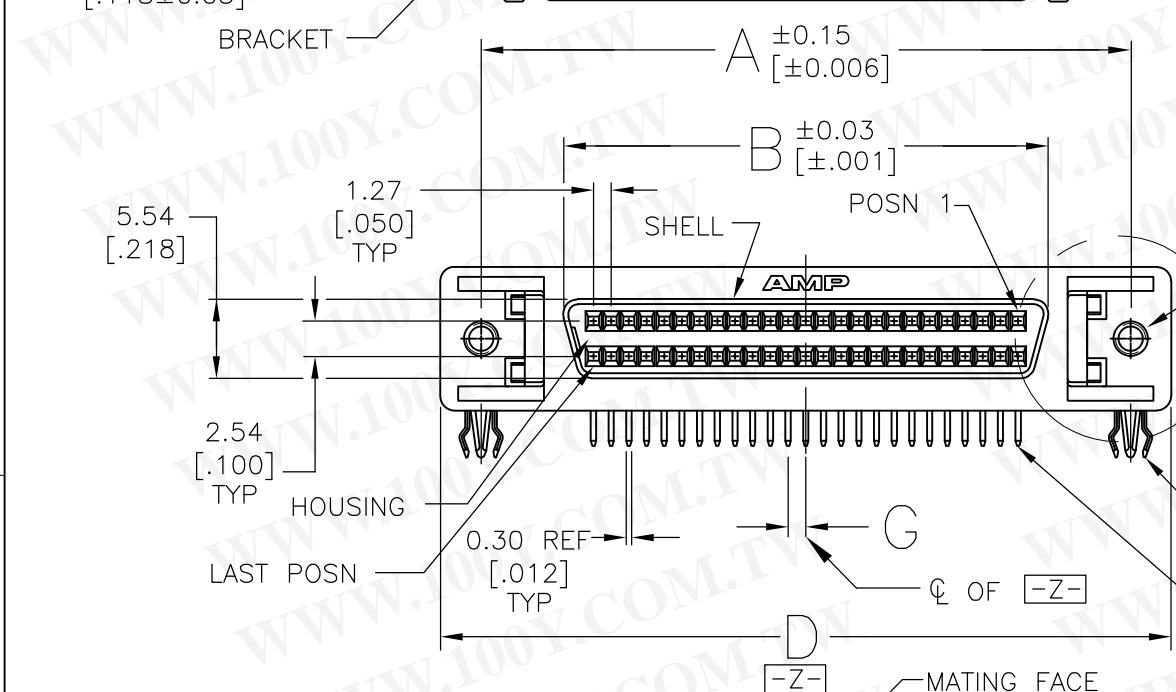
© COPYRIGHT - By - ALL RIGHTS RESERVED.

| LOC | | DIST | | REVISIONS | | | | | |
|-----|--|------|--|-----------|-----|---------------------------|-----------|-----|------|
| GP | | 00 | | P | LTR | DESCRIPTION | DATE | DWN | APVD |
| | | | | D | | REVISED PER ECO-11-008091 | 18APR2011 | CJV | SLB |

勝特力材料 886-3-5753170
 勝特力电子(上海) 86-21-34970699
 勝特力电子(深圳) 86-755-83298787
[Http://www.100y.com.tw](http://www.100y.com.tw)



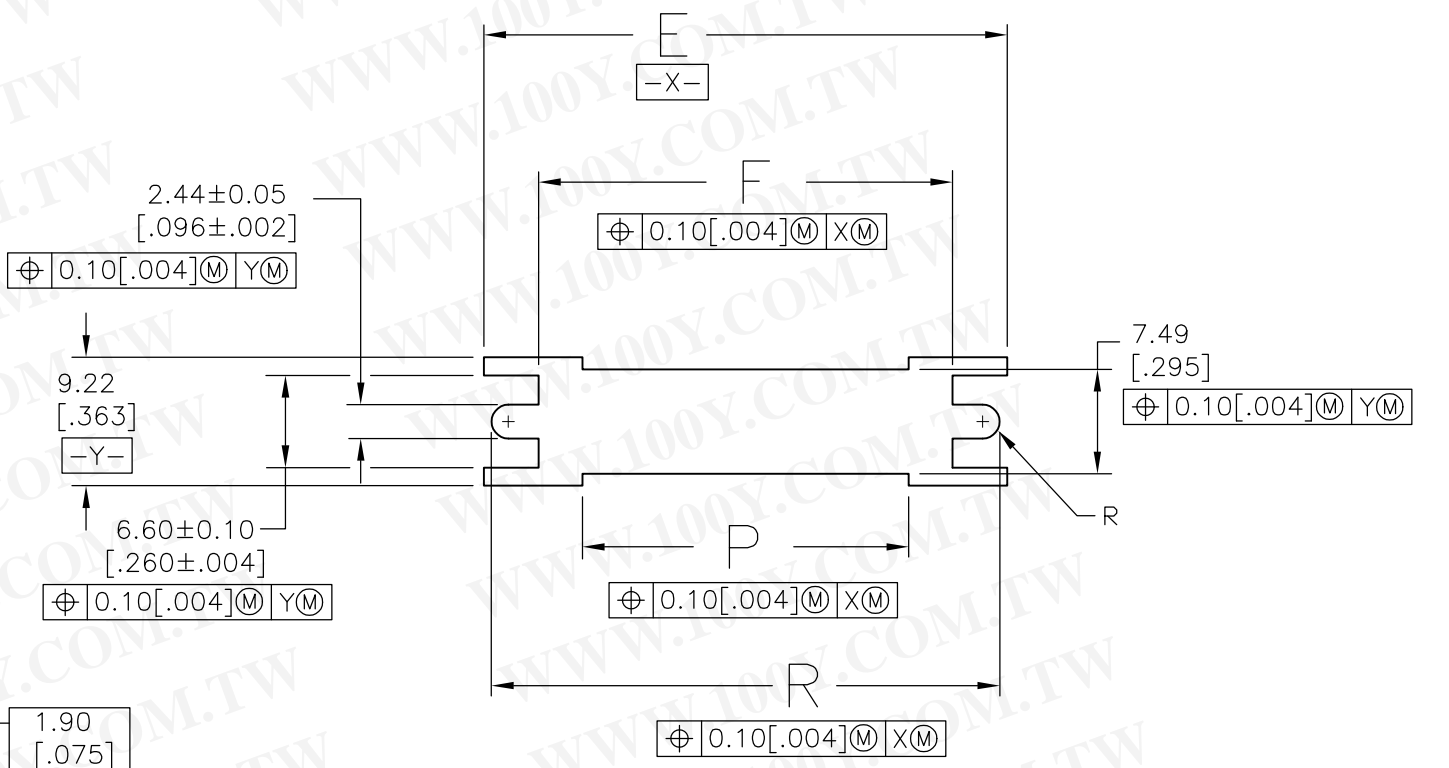
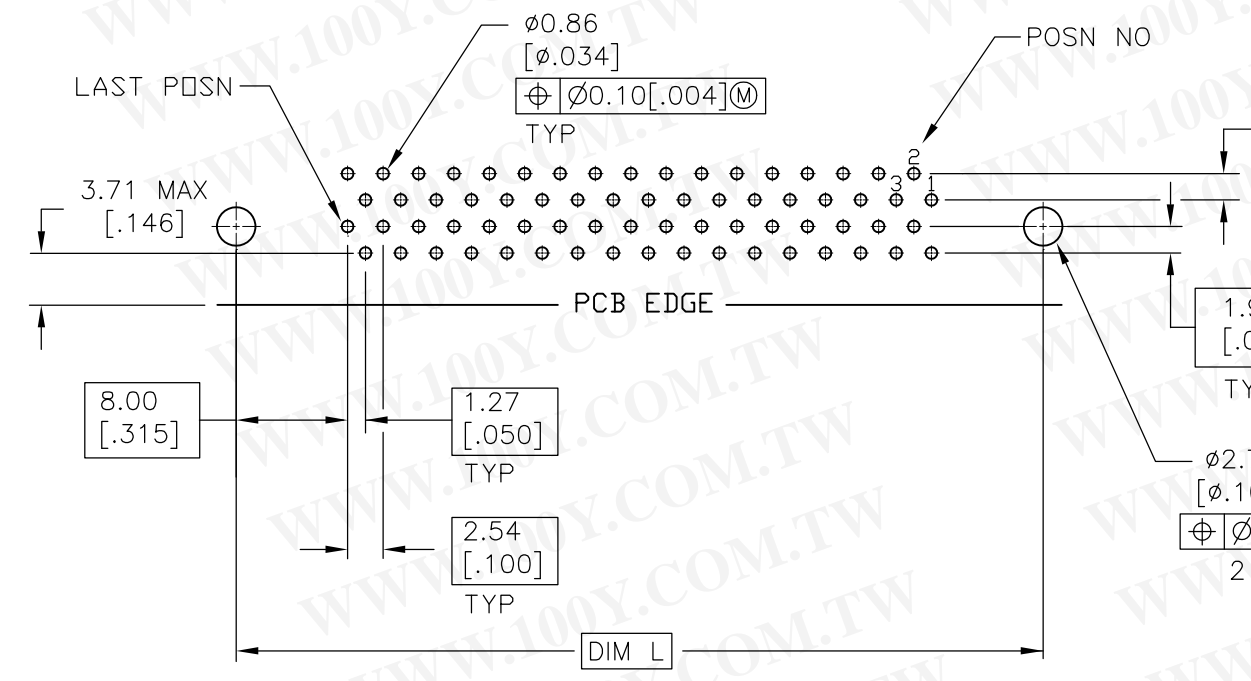
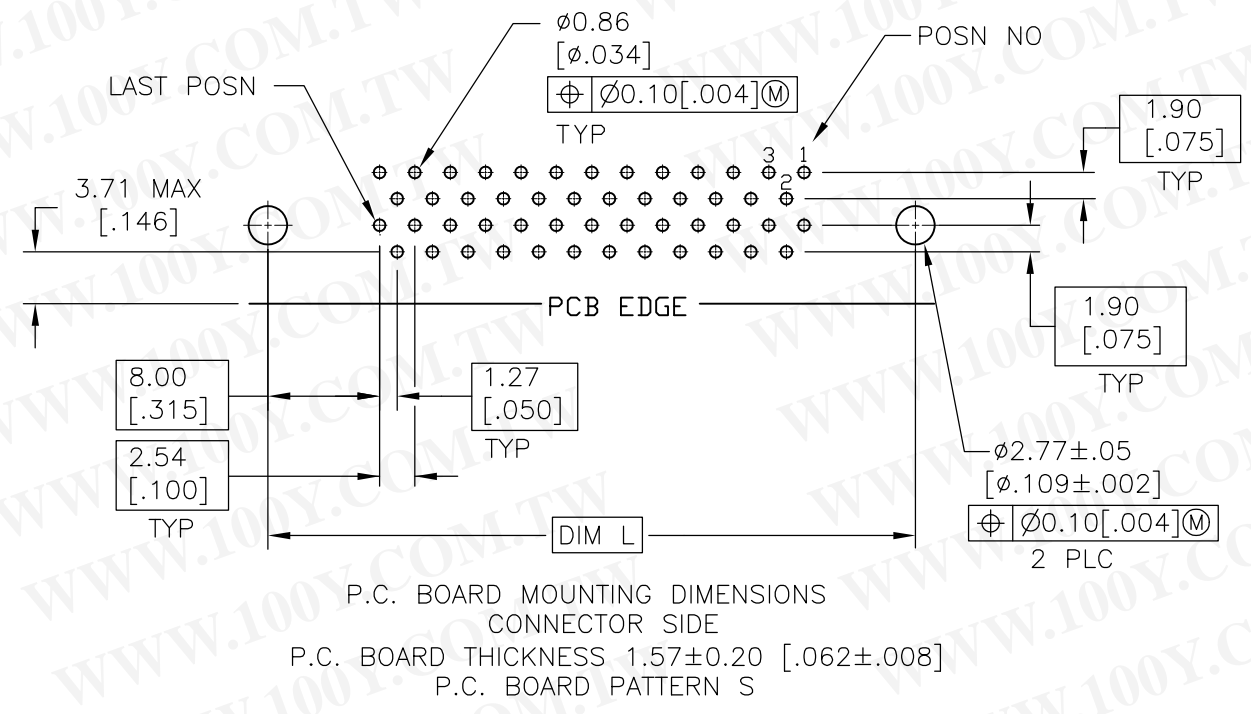
ALTERNATE BRACKET
DESIGN
TYP.



| | | | | |
|--|--|---------------------------------|--|--------------------|
| THIS DRAWING IS A CONTROLLED DOCUMENT. | | DWN B. MCMASTER 28JAN2004 | TE Connectivity | |
| | | CHK S. SHUEY 28JAN04 | | |
| | | APVD M. WALMSLEY 28JAN04 | NAME RECEPTACLE ASSEMBLY, SHIELDED, RIGHT ANGLE, RAILED, .050 SERIES, AMPLIMITE | |
| DIMENSIONS: mm [INCHES] | | PRODUCT SPEC 108-1228 | RESTRICTED TO | |
| TOLERANCES UNLESS OTHERWISE SPECIFIED: | | APPLICATION SPEC 114-40029 | SIZE A3 | CAGE CODE 00779 |
| 0 PLC ± - 1 PLC ± - 2 PLC ± 0.13[.005] 3 PLC ± - 4 PLC ± - ANGLES ± - | | WEIGHT - | DRAWING NO C-1761028 | REV D |
| MATERIAL 1 | | FINISH 2 | CUSTOMER DRAWING | |
| | | SCALE 2:1 | SHEET 1 of 3 | |

| | | | | | | | |
|-----|------|-----------|-----|-------------|------|-----|------|
| LOC | DIST | REVISIONS | | | | | |
| GP | 00 | P | LTR | DESCRIPTION | DATE | DWN | APVD |
| | | - | | SEE SHEET 1 | - | - | - |

D
C
B
A



P.C. BOARD MOUNTING DIMENSIONS
CONNECTOR SIDE
P.C. BOARD THICKNESS 1.57±0.20 [.062±.008]
P.C. BOARD PATTERN T

| | | | | | |
|--|--|--|-----------|--|-----------------|
| THIS DRAWING IS A CONTROLLED DOCUMENT. | | DWN | 28JAN2004 | | TE Connectivity |
| | | CHK | 28JAN04 | | |
| | | APVD | 28JAN04 | | |
| DIMENSIONS: mm [INCHES] | | TOLERANCES UNLESS OTHERWISE SPECIFIED: | | NAME | |
| 0 PLC ± - 1 PLC ± - 2 PLC ± 0.13[.005] 3 PLC ± - 4 PLC ± - ANGLES ± - | | PRODUCT SPEC 108-1228 | | RECEPTACLE ASSEMBLY, SHIELDED, RIGHT ANGLE, RAILED, .050 SERIES, AMPLIMITE | |
| MATERIAL | | FINISH | | APPLICATION SPEC 114-40029 | |
| 1 | | 2 | | SIZE CAGE CODE DRAWING NO RESTRICTED TO A3 00779 C-1761028 - | |
| CUSTOMER DRAWING | | | | SCALE | 2:1 |
| | | | | SHEET | 2 of 3 |
| | | | | REV | D |

THIS DRAWING IS UNPUBLISHED. RELEASED FOR PUBLICATION
 © COPYRIGHT - By - ALL RIGHTS RESERVED.


| LOC | DIST | REVISIONS | | | | | |
|-----|------|-----------|-----|-------------|------|-----|------|
| GP | 00 | P | LTR | DESCRIPTION | DATE | DWN | APVD |
| | | - | | SEE SHEET 1 | - | - | - |

1 CONTACTS: PHOSPHOR BRONZE.
 HOUSING & PIN-SPACER: UL 94V-0 RATED, THERMOPLASTIC, BLACK.
 BRACKET: ZINC.
 SHELL: CARBON STEEL.
 BOARDLOCKS: COPPER ALLOY.

2 CONTACTS: EITHER 0.00076 [.000030] MIN GOLD PLATE ON MATING END OR GOLD FLASH OVER PALLADIUM NICKEL PLATE, 0.00076 [.000030] MIN TOTAL ON MATING END, 0.00381 [.000150] MIN TIN ON SOLDER END, ALL OVER 0.00127 [.000050] MIN NICKEL ON ENTIRE CONTACT.
 SHELL: 0.00508 [.000200] MIN NICKEL OVER 0.00127 [.000050] MIN COPPER.
 BRACKET: 0.00254 [.000100] MIN NICKEL OVER 0.00508 [.000200] COPPER.
 BOARDLOCKS: 0.00300 [.000118] MIN TIN OVER 0.00127 [.000050] MIN NICKEL.

| | | | | | | | | | | | | |
|-----------|------------------|------------------|------------------|------------------|----------------|------------------|------------------|------------------|------------------|------------------|-----------|-------------|
| TUBE | T | 29.87 [1.176] | 17.37 [.684] | 27.43 [1.080] | 0.64 [.025] | 23.75 [.935] | 31.50 [1.240] | 33.40 [1.315] | 15.65 [.616] | 27.43 [1.080] | 20 | 1761028-6 |
| TUBE | T | 80.67 [3.176] | 68.17 [2.684] | 78.23 [3.080] | 0.64 [.025] | 74.55 [2.935] | 82.30 [3.240] | 84.20 [3.315] | 66.45 [2.616] | 78.23 [3.080] | 100 | 1761028-5 |
| TUBE | T | 60.35 [2.376] | 47.85 [1.884] | 57.91 [2.280] | 0.64 [.025] | 54.23 [2.135] | 61.98 [2.440] | 63.88 [2.515] | 46.13 [1.816] | 57.91 [2.280] | 68 | 1761028-4 |
| TUBE | S | 48.92 [1.926] | 36.42 [1.434] | 46.48 [1.834] | 1.27 [.050] | 42.80 [1.685] | 50.55 [1.990] | 52.45 [2.065] | 34.70 [1.366] | 46.48 [1.830] | 50 | 1761028-3 |
| TUBE | T | 42.57 [1.676] | 30.07 [1.184] | 40.13 [1.580] | 0.64 [.025] | 36.45 [1.435] | 44.20 [1.740] | 46.10 [1.815] | 28.35 [1.116] | 40.13 [1.580] | 40 | 1761028-2 |
| TUBE | S | 33.68 [1.326] | 21.18 [.834] | 31.24 [1.230] | 1.27 [.050] | 27.56 [1.085] | 35.31 [1.390] | 37.21 [1.465] | 19.46 [.766] | 31.24 [1.230] | 26 | 1761028-1 |
| PACKAGING | PC BOARD PATTERN | R | P | L | G | F | E | D | B | A | NO OF POS | PART NUMBER |

THIS DRAWING IS A CONTROLLED DOCUMENT.

| | | | |
|----------------------------|--|---|---|
| DIMENSIONS: mm [INCHES] | TOLERANCES UNLESS OTHERWISE SPECIFIED: 0 PLC ± - 1 PLC ± - 2 PLC ± 0.13[.005] 3 PLC ± - 4 PLC ± - ANGLES ± - | DWN B. MCMASTER 28JAN2004 CHK S. SHUEY 28JAN04 APVD M. WALMSLEY 28JAN04 |  TE Connectivity RECEPTACLE ASSEMBLY, SHIELDED, RIGHT ANGLE, RAILED, .050 SERIES, AMPLIMITE |
| MATERIAL 1 | FINISH 2 | PRODUCT SPEC 108-1228 APPLICATION SPEC 114-40029 WEIGHT - CUSTOMER DRAWING | |