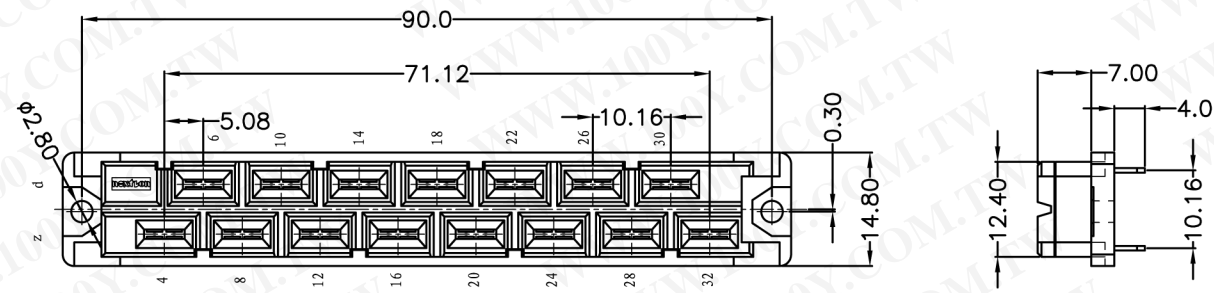


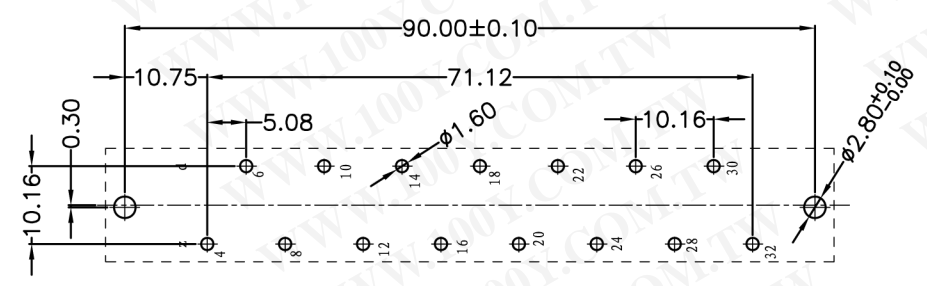
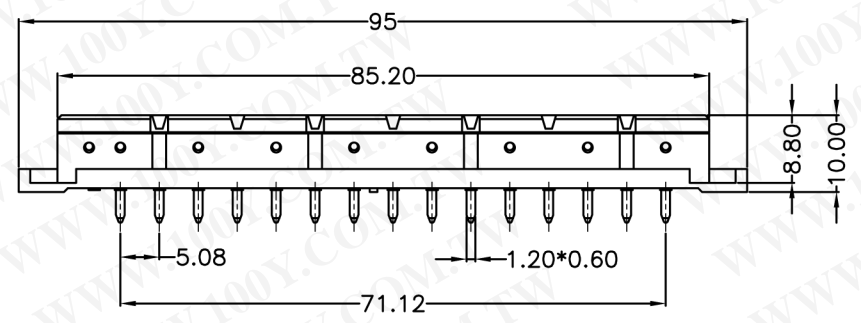
REV.	ECN NO.	DESCRIPTION	DATE	DESIGN



**SPECIFICATION**  
**MATERIAL**  
 Housing:PBT+30%G.F. UL94V-0 Color:Greyish White  
 Contacts:PhosPhor Bronze  
**CONTACT PLATING**  
 TIN PLATED ON ALL OVER,Ni UNDER PLATED ALL OVER.  
**ELECTRICAL**  
 Current rating: 15 Amps .  
 Contact resistance: 30 mohms initial  
 Insulation resistance: 1000000 Mohms min @ 500 VDC  
 Dielectric withstanding voltage: 3100 VAC / minute  
 Operating temperature: -55° C TO +125° C

Part no. A05 A - 015 F T S 0 0 0 B  
 1 2 3 4 5 6 7 8 9 10

- |                          |                      |
|--------------------------|----------------------|
| 1. SERIES NO.            | 6. FUNCTION OPTION:  |
| 2. TYPE:                 | S=STRAIGHT           |
| A=Standard               | 7. NO USE            |
| 3. CONTACT NUMBER        | 8. NO USE            |
| 4. CONTACT TYPE:         | 9. NO USE            |
| F=Female                 | 10. INSULATOR COLOR: |
| 5. CONTACT AREA PLATING: | B=Greyish White      |
| T=Tin                    |                      |



PCB LAYOUT(RECOMMENDED)  
 (TOP VIEW TOL. :±0.05)

勝特力材料 886-3-5753170  
 勝特力电子(上海) 86-21-34970699  
 勝特力电子(深圳) 86-755-83298787  
[Http://www.100y.com.tw](http://www.100y.com.tw)

公差一览表		nextion®		CONNECTOR			
TOLERANCE UNLESS OTHERWISE		单位	制图	管正志	产品名称		
X.	±0.25	X°	±5°	mm	DRAWING	管正志	欧式大电流 15P 母座
.X	±0.20	.X°	±2°	角法	DESIGN	管正志	产品料号
.XX	±0.15	.XX°	±1°	比例	SCALE	1:1	A05A-015FTS000B
.XXX	±0.02	.XXX°	±0.5°	版本	VER	A0	A05A-015FTS000B-A0
日期	DATE	2010. 04. 19	核准	APPD	图号	DRAW NO.	A05A-015FTS000B-A0