

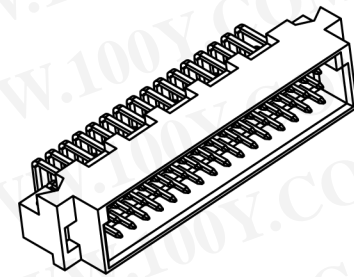
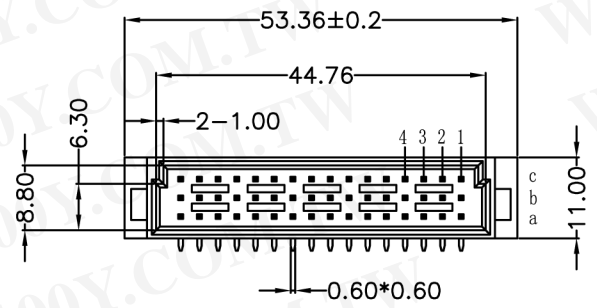
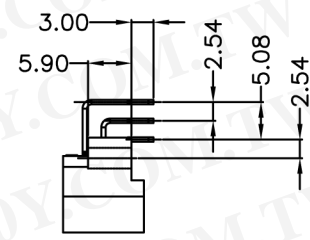
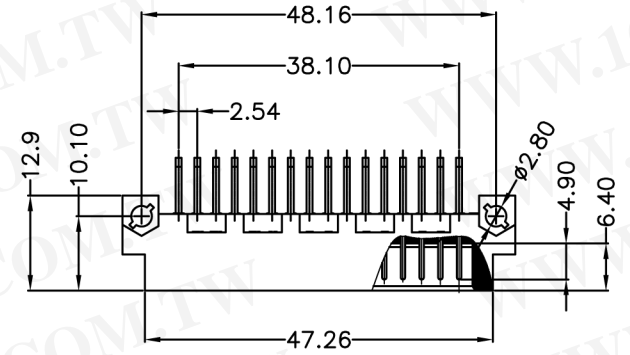
REV.	ECN NO.	DESCRIPTION	DATE	DESIGN

SPECIFICATION

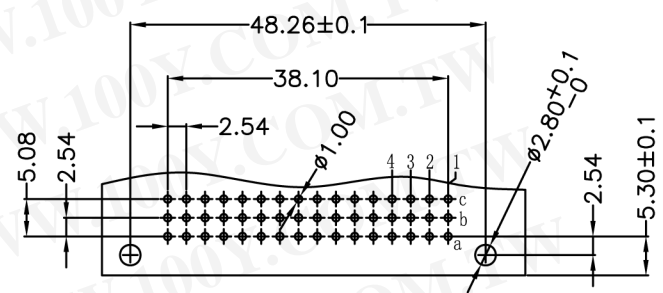
MATERIAL
Housing: PBT+5%PC UL94V-0 COLOR: BEIGE
Contacts: Brass
CONTACT PLATING
S= GOLD FLASH PLATED ON CONTACT AREA, TIN PLATED ON SOLDER TAIL, Ni UNDER PLATED ALL OVER.
A=5u" (Selective)
B=10u" (Selective)
C=15u" (Selective)
D=30u" (Selective)
ELECTRICAL
Current rating: 2 Amps .
Contact resistance: 20 mohms initial
Insulation resistance: 100000 Mohms min @ 500 VDC
Dielectric withstanding voltage: 1000 VAC / minute
Operating temperature: -55° C TO +125° C

Part no. A02 A - 048 M X R C A E 5
1 2 3 4 5 6 7 8 9 10

- | | |
|--------------------------|---|
| 1. SERIES NO. | 7. PROCESS OPTION: |
| 2. TYPE: | C=3*16 Housing (Male=90°
Female=180°) |
| 3. CONTACT NUMBER | 8. ROW SPACING: |
| 4. CONTACT TYPE: | A=2.54mm (a+b+c) |
| 5. CONTACT AREA PLATING: | 9. CONTACT LENGTH: |
| SEE SPECIFICATION | E=3.0mm (Right angle only) |
| 6. FUNCTION OPTION: | 10. INSULATOR COLOR: |
| R=Right angle | 5=BEIGE |



勝特力材料 886-3-5753170
勝特力电子(上海) 86-21-34970699
勝特力电子(深圳) 86-755-83298787
[Http://www.100y.com.tw](http://www.100y.com.tw)



PCB LAYOUT(RECOMMENDED)
(TOP VIEW TOL. :±0.05)

公差一览表			nextion®		CONNECTOR		
TOLERANCE UNLESS OTHERWISE			单位	制图	姚登攀	产品名称	欧式插座 348 A2型 90度 公座
X.	±0.25	X°	±5°	mm	DRAWING		
.X	±0.20	.X°	±2°	角法	设计	姚登攀	TYPE
.XX	±0.15	.XX°	±1°	VIEW	DESIGN		产品料号
.XXX	±0.02	.XXX°	±0.5°	SCALE	1:1	审核	PART NO.
日期	2009. 04. 22		版本	A0	核准	APPD	图号
DATE			VER				DRAW NO.