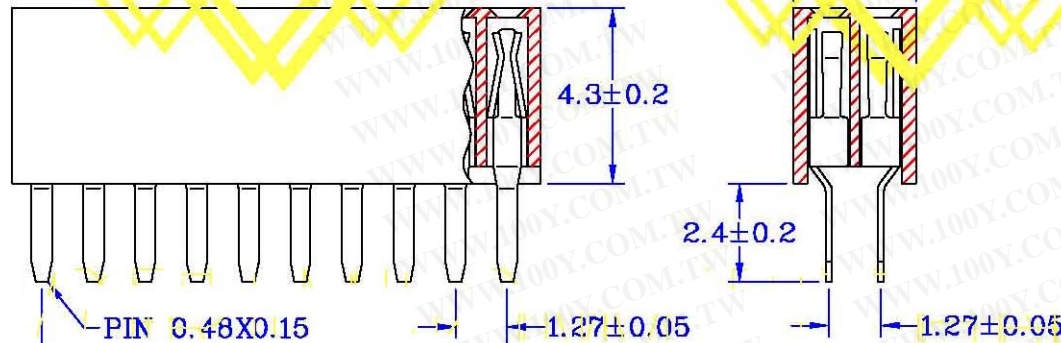
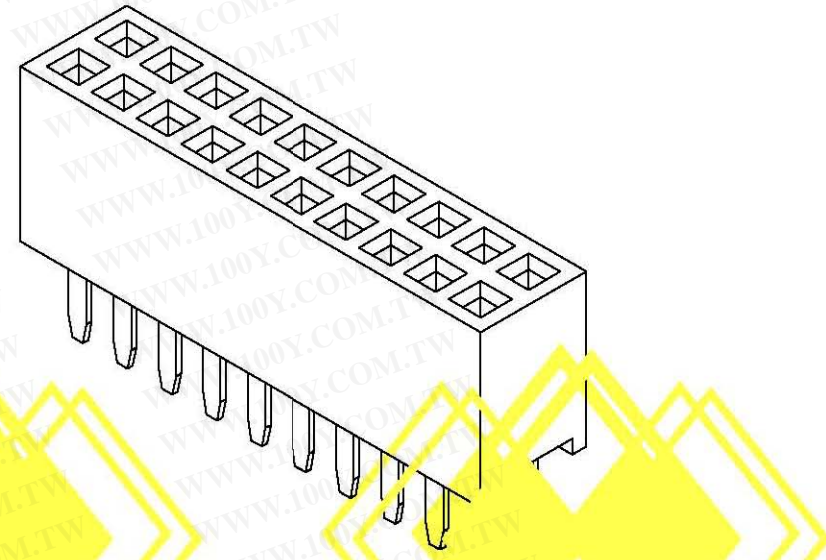
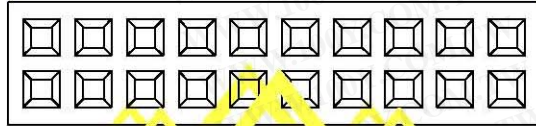
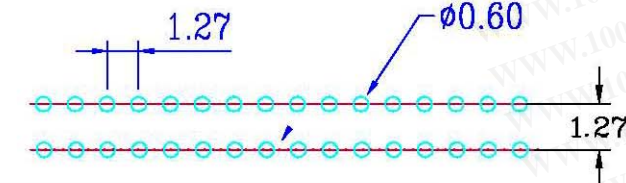


勝特力材料 886-3-5753170
 勝特力电子(上海) 86-21-34970699
 勝特力电子(深圳) 86-755-83298787
 Http://www.100y.com.tw

$0.38 + 1.27 \times \text{NO. OF POSITIONS} \pm 0.3$



$1.27 \times \text{NO. OF CONTACTS} - 1.27$



PCB LAYOUT

SPECIFICATIONS

ELECTRICAL

- Contact Current Rating : 1 Ampere
- Contact Resistance : 20 mΩ Max
- Insulator Resistance : 1,000 MΩ Min
- Dielectric Withstanding Voltage : 300 V AC RMS 60 Seconds

MATERIAL

- Insulator : L.C.P.
- Contact : Phosphor Bronze
- Contact Plated : Gold Plated , Tin Plated , Selective Plated
- Operation Temperature : - 40°C to + 105°C

UNIT: mm

繪圖 DRAWN BY
FUFU

日期 DATE
2009/01/22

核對 CHECKED BY
WENDY

比例 SCALE
1:1

HHPFS2XXGB1H

圖號 886-XX-H

DRAWING NO.