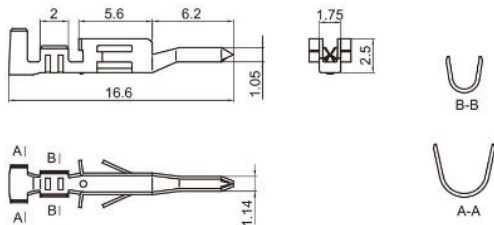


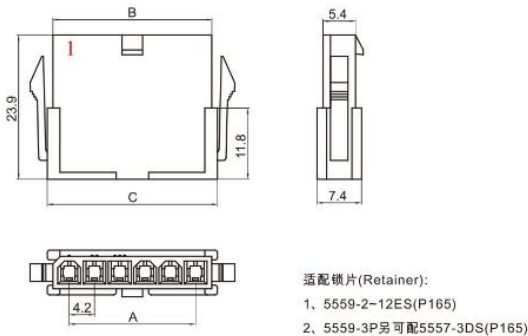
端子 TERMINAL (5558)

型号 PART No.	适用线规 Applicable wire		电线外径 Insulation O.D mm	数量 Quantity
	mm ²	AWG#		
HX42001-01PT	0.08~0.33	28~24	1.0~1.5	7000PCS/盘
HX42001-21PT	0.2~0.5	24~20	1.4~1.9	5000PCS/盘
HX42001-31PT	0.25~0.75	22~18	1.6~2.8	3000PCS/盘

HX42001-PT (5558)



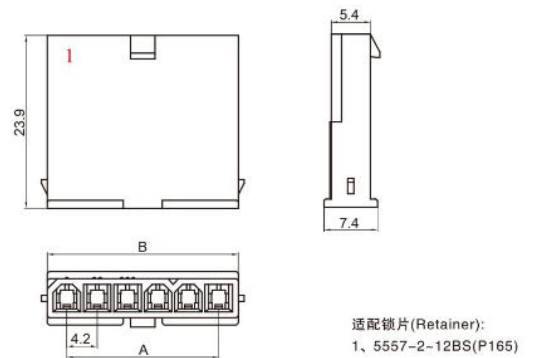
HX42001-PN (5559)



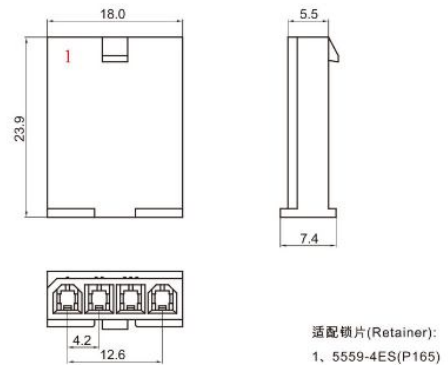
技术参数 SPECIFICATIONS

- 线数 (Poles) : 2~12
- 适用线规 (Applicable wire) : AWG28#~18#
- 适应基板厚度 (Applicable PC board thickness) : 0.8~2.0mm
- 温度范围 (Temperature range) : -25℃~85℃
- 额定电压 (Voltage rating) : 300V.Ac/Dc
- 额定电流 (Current rating) : 8A max
- 接触电阻 (Contact resistance) : ≤0.015Ω
- 绝缘电阻 (Insulation resistance) : ≥1000MΩ
- 耐压 (Withstand voltage) : 1500V.Ac/1min
- 材料 (Material) :
插座 (Receptacle housing) : 尼龙 (PA66) UL94V-2 (0)
端子 (Terminal) : 磷青铜 (Phos.bronze Tin/plated)

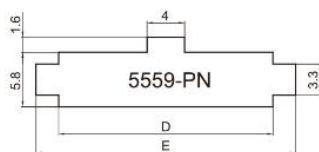
HX42001-PH (5559)



HX42001-4PNF (5559)



安装尺寸 MOUNTING MEASUREMENT



插座 RECEPTACLE HOUSING (5559)

线数 Poles	型号 PART No.		尺寸Dimensions(mm)				
	带翅插座	平头插座	A	B	C	D	E
2	HX42001-2PN	HX42001-2PH	4.2	9.6	11.5	10.2	15.0
3	HX42001-3P	HX42001-3PH	8.4	13.8	15.7	14.4	19.2
4	HX42001-4PN	HX42001-4PH	12.6	18.0	19.9	18.6	23.4
5	HX42001-5P	HX42001-5PH	16.8	22.2	24.1	22.8	27.6
6	HX42001-6PN	HX42001-6PH	21.0	26.4	28.3	27.0	31.8
7	HX42001-7PN	HX42001-7PH	25.2	30.6	32.5	31.2	36.0
8	HX42001-8PN	HX42001-8PH	29.4	34.8	36.7	35.4	40.2
9	HX42001-9PN	HX42001-9PH	33.6	39.0	40.9	39.6	44.4
10	HX42001-10PN	HX42001-10PH	37.8	43.2	45.1	43.8	48.6
11	HX42001-11PN	HX42001-11PH	42.0	47.4	49.3	48.0	52.8
12	HX42001-12PN	HX42001-12PH	46.2	51.6	53.5	52.2	57.0