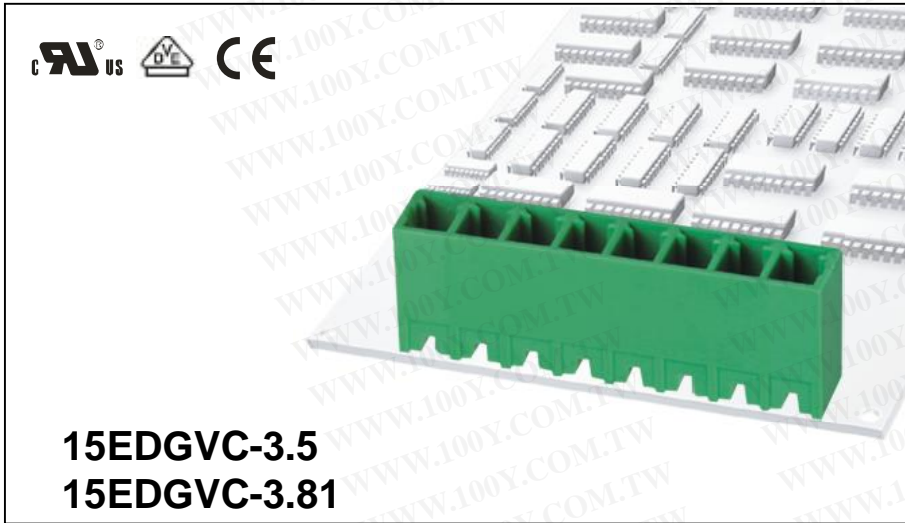


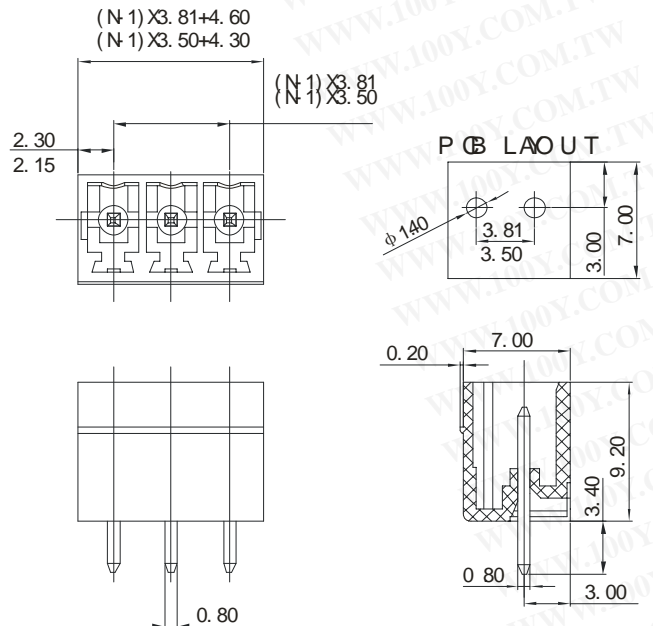


# DEGSON ELECTRONICS CO., LTD.

## Product Specification

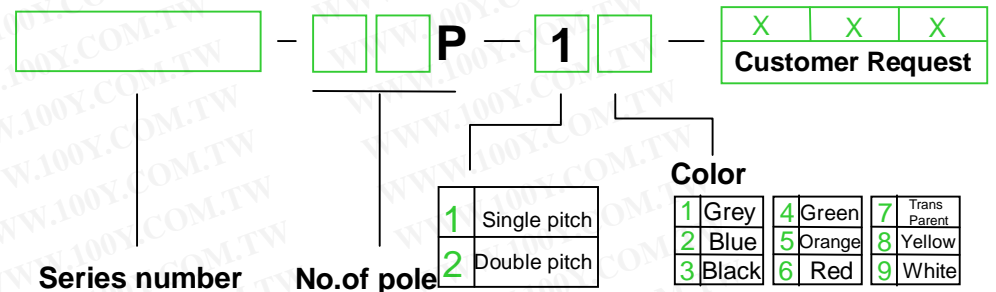


<b>APPROVAL</b>		
<b>Electrical</b>	<b>UL</b>	<b>IEC</b>
Standard	300V	250V
Rated voltage	8A	7A
Rated current	2.5KV	
Rated impulse voltage		
<b>Mechanical</b>		
Ambient temperature	-40°C~+105 °C	
<b>Dimensions</b>		
Pitch	3.5mm(.138" ) 3.81mm(.150" )	
Poles	2P-24P	
<b>Material</b>		
Housing	PA66,UL94V-0	
Pin header	Brass,Tin-plated	



勝特力材料 886-3-5753170  
 勝特力电子(上海) 86-21-34970699  
 勝特力电子(深圳) 86-755-83298787  
[Http://www.100y.com.tw](http://www.100y.com.tw)

### HOW TO ORDER :



	<b>DEGSON ELECTRONICS CO., LTD.</b>
	<b>NAME</b> 15EDGVC-3.5, 15EDGVC-3.81