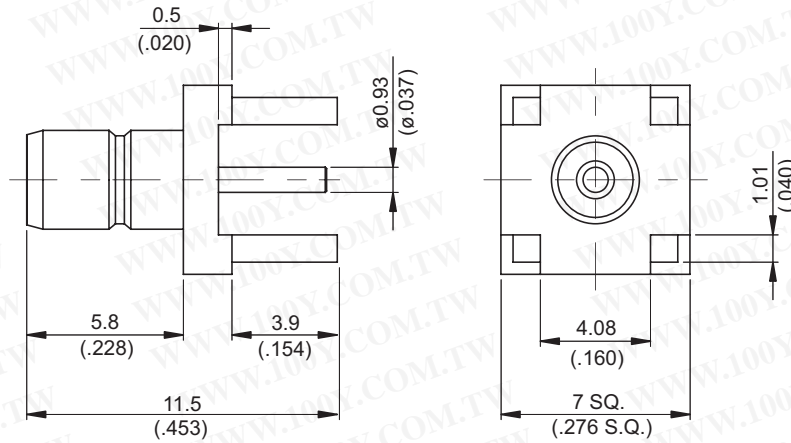


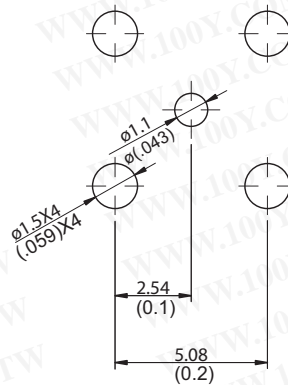
SMB84NG-0000

SMB Jack P.C.B Mount

50Ω



MOUNTING HOLE



| Parts | Material | Plating (Micro-inch) |
|-------------|----------|---------------------------------------|
| Contact Pin | Brass | Gold 20 Over Nickel 50 Over Copper 50 |
| Insulator | Teflon | |
| Body | Brass | Gold 5 Over Nickel 50 Over Copper 50 |

勝特力材料 886-3-5753170
勝特力电子(上海) 86-21-54151736
勝特力电子(深圳) 86-755-83298787
[Http://www.100y.com.tw](http://www.100y.com.tw)

Weight: 0.96 g

This part number complies with RoHS.