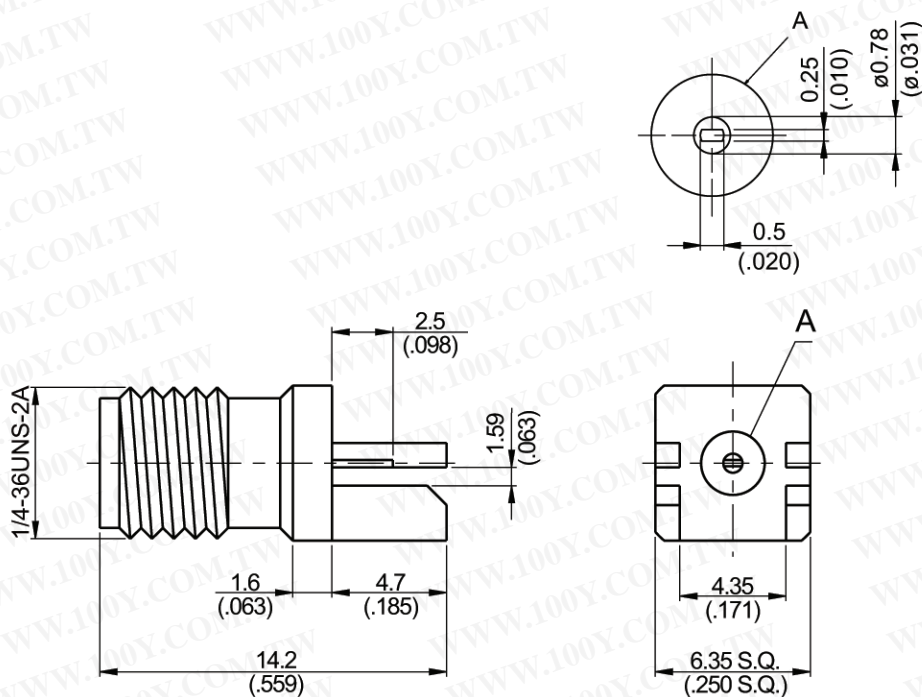


勝特力材料 886-3-5753170
 勝特力电子(上海) 86-21-34970699
 勝特力电子(深圳) 86-755-83298787
 Http://www.100y.com.tw

SMA8400M1-0000

SMA Jack P.C.B Mount (End Launch) 50Ω



| Parts | Material | Plating (Micro-inch) |
|-------------|------------------|---------------------------------------|
| Contact Pin | Beryllium Copper | Gold 20 Over Nickel 50 Over Copper 50 |
| Insulator | Teflon | |
| Body | Brass | Gold 5 Over Nickel 50 Over Copper 50 |

Weight: 1.53 g

This part number complies with RoHS.

Notice: JYBAO reserves the right to make modifications deemed appropriate.