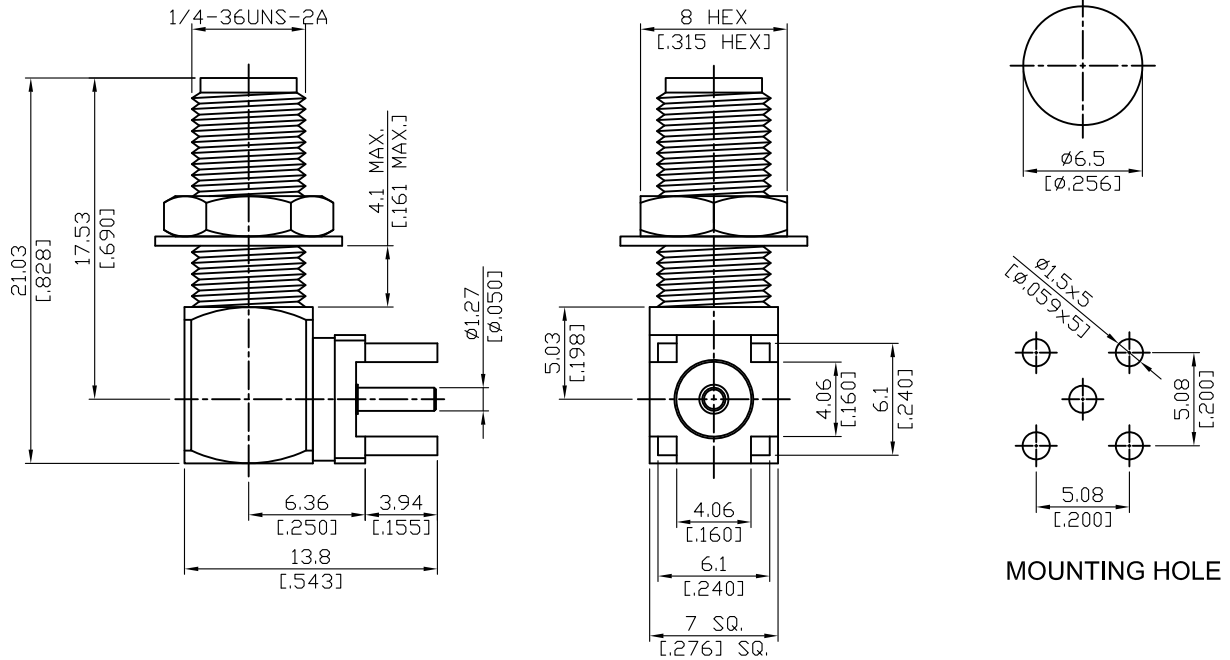


SMA8400A1-9000/CP

SMA Jack PCB Mount Bulkhead Right Angle
With Round Contact ($\Phi 1.27$); 14GHz VSWR 1.2

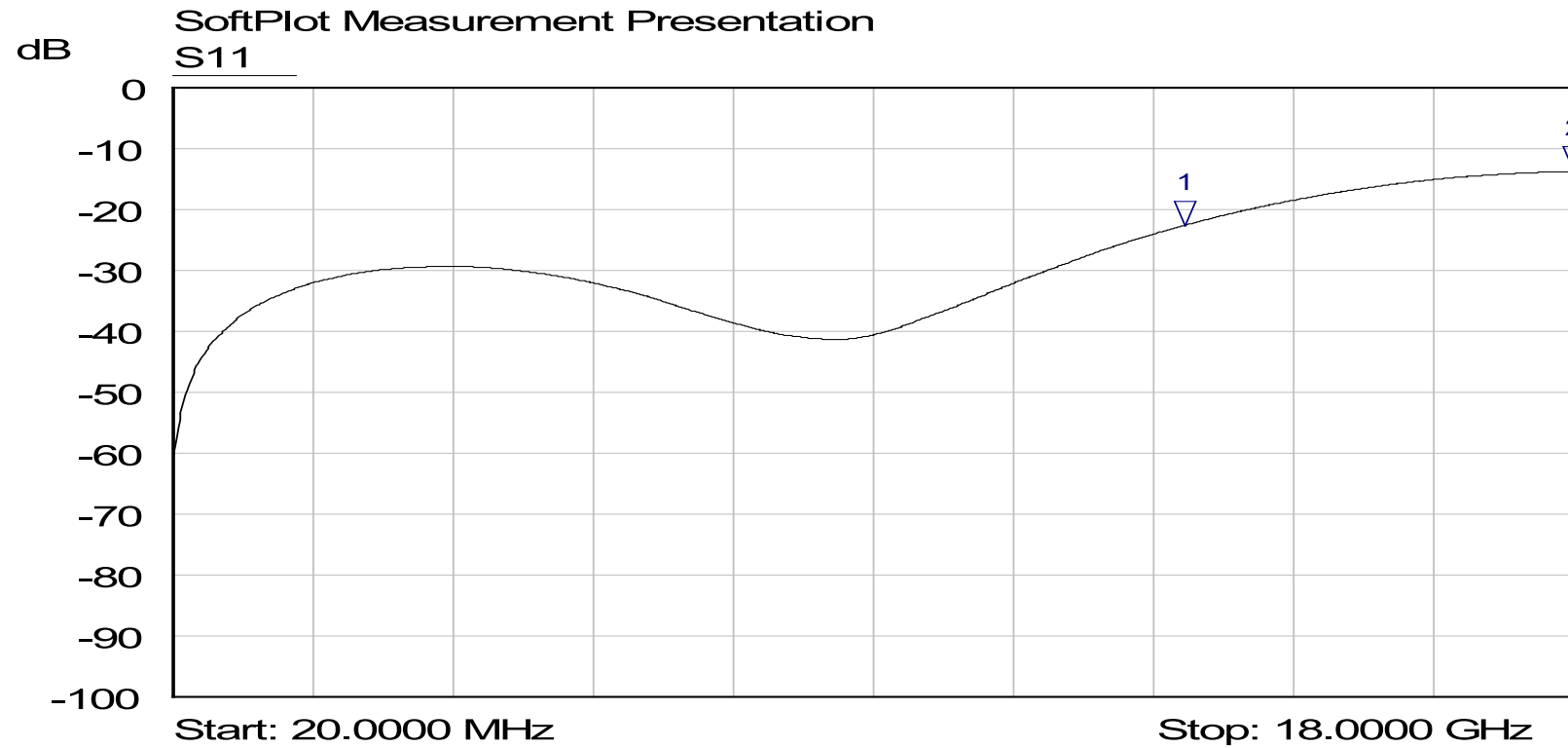
50 Ω



Parts	Material	Plating (Micro-inch)
Cover	Brass	Gold 4 Over Nickel-Phosphorus Alloy 80 Over Copper 20
Hex Nut	Brass	Gold 4 Over Nickel-Phosphorus Alloy 80 Over Copper 20
Washer	Brass	Gold 4 Over Nickel-Phosphorus Alloy 80 Over Copper 20
Contact Pin	Beryllium Copper	Gold 4 Over Nickel-Phosphorus Alloy 80 Over Copper 20
Insulator	Teflon	
Body	Brass	Gold 4 Over Nickel-Phosphorus Alloy 80 Over Copper 20

SMA	SMA8400A1-9000/CP
<div data-bbox="169 383 568 432" style="border: 1px solid black; padding: 2px;">Interface</div> <p data-bbox="169 443 384 472">MIL-STD-348B</p> <p data-bbox="169 488 1007 517">Mechanically compatible with 2.92 & 3.5</p>	
<div data-bbox="169 551 568 600" style="border: 1px solid black; padding: 2px;">Electrical Data</div> <p data-bbox="169 607 916 636">Impedance 50Ω</p> <p data-bbox="169 651 1046 680">Frequency range DC to 14GHz</p> <p data-bbox="169 696 1150 725">VSWR ≤ 1.2 (DC to 14GHz)</p> <p data-bbox="169 741 1150 770">Insertion loss $\leq 0.04 \times \sqrt{f(\text{GHz})}$ dB</p> <p data-bbox="169 786 1007 815">Insulation resistance $\geq 5000\text{M}\Omega$</p> <p data-bbox="169 831 956 860">Contact resistance inner conductor $\leq 3\text{m}\Omega$</p> <p data-bbox="169 875 956 904">Contact resistance outer conductor $\leq 2\text{m}\Omega$</p> <p data-bbox="169 920 1019 949">Dielectric withstanding voltage (at sea level) 1500 V rms</p> <p data-bbox="169 965 1023 994">Working voltage (at sea level) 500 V rms</p>	
<div data-bbox="169 1093 568 1142" style="border: 1px solid black; padding: 2px;">Mechanical Data</div> <p data-bbox="169 1149 991 1178">Recommended coupling nut torque 4 inch lbs</p> <p data-bbox="169 1193 1018 1223">Coupling proof torque 5.3 inch lbs</p> <p data-bbox="169 1238 983 1267">Contact Captivation-axial ≥ 6.1 lbs</p> <p data-bbox="169 1283 943 1312">Durability (mating) ≥ 100</p>	
<div data-bbox="169 1402 568 1451" style="border: 1px solid black; padding: 2px;">Environmental Data</div> <p data-bbox="169 1458 1091 1487">Temperature range -65°C to +165°C</p> <p data-bbox="169 1503 1422 1532">Thermal shock MIL-STD-202, Method 107, Condition B</p> <p data-bbox="169 1547 1235 1576">Moisture resistance MIL-STD-202, Method 106</p> <p data-bbox="169 1592 1422 1621">Corrosion MIL-STD-202, Method 101, Condition B</p> <p data-bbox="169 1637 1002 1666">RoHS Compliant</p>	
<div data-bbox="169 1753 568 1803" style="border: 1px solid black; padding: 2px;">Tooling</div>	

SMA8400A1-9000/CP



Mkr	Trace	X-Axis	Value	Notes
1 ▽	S11	13.0000 GHz	-22.61 dB	
2 ▽	S11	18.0000 GHz	-13.75 dB	

勝特力電材超市-龍山店 886-3-5773766
勝特力電材超市-光復店 886-3-5729570
勝特力電子(上海) 86-21-34970699
勝特力電子(深圳) 86-755-83298787
<http://www.100y.com.tw>