



## 50 Ohm SMA Female To 75 Ohm F Male Matching Pad Operating From DC to 3 GHz RoHS Compliant

### TECHNICAL DATA SHEET

PE7077

#### 50 Ohm SMA Female To 75 Ohm F Male Matching Pad Operating From DC to 3 GHz RoHS Compliant

##### Configuration

Design	Fixed Matching Pad
Body Style	Straight
Connector 1	SMA Female
Impedance 1	50 Ohms
Connector Specification 1	MIL-STD-348
Connector 2	F Male
Impedance 2	75 Ohms

##### Electrical Specifications

Frequency Range, GHz	DC to 3
Maximum VSWR	1.25:1
Maximum Attenuation, dB	5.7
Attenuation Accuracy	± 0.5
Maximum Input Power, Watts	2
Peak Power, Watts	250
Peak Power Duty Cycle, µs	5
Directionality	Bidirectional

勝特力材料 886-3-5753170  
 勝特力电子(上海) 86-21-34970699  
 勝特力电子(深圳) 86-755-83298787  
[Http://www.100y.com.tw](http://www.100y.com.tw)

##### Mechanical Specifications

###### Size

Length, in [mm]	1.29 [32.77]
Width/Dia., in [mm]	0.43 [10.92]
Body Material and Plating	Passivated Stainless Steel

###### Connector 1

Type	SMA Female
Inner Conductor Material and Plating	Beryllium Copper, Gold
Body Material and Plating	Passivated Stainless Steel, Nickel

###### Connector 2

Type	F Male
Inner Conductor Material and Plating	Brass, Nickel
Coupling Nut Material and Plating	Brass, Nickel
Hex Size, in.	7/16
Torque, in-lbs [Nm]	15 [1.7]
Body Material and Plating	Brass, Nickel

##### Compliance Certifications (visit [www.Pasternack.com](http://www.Pasternack.com) for current document)

RoHS Compliant	Yes
----------------	-----

Click the following link (or enter part number in "SEARCH" on website) to obtain additional part information including price, inventory and certifications: [50 Ohm SMA Female To 75 Ohm F Male Matching Pad Operating From DC to 3 GHz RoHS Compliant PE7077](#)

The information contained in this document is accurate to the best of our knowledge and representative of the part described herein. It may be necessary to make modifications to the part and/or the documentation of the part, in order to implement improvements. Pasternack reserves the right to make such changes as required. Unless otherwise stated, all specifications are nominal.





50 Ohm SMA Female To 75 Ohm F Male Matching Pad  
Operating From DC to 3 GHz RoHS Compliant

TECHNICAL DATA SHEET

PE7077

**Plotted and Other Data**

Notes:

Values at 25 °C, sea level

50 Ohm SMA Female To 75 Ohm F Male Matching Pad Operating From DC to 3 GHz RoHS Compliant from Pasternack Enterprises has same day shipment for domestic and International orders. Our RF, microwave and fiber optic products maintain a 99% availability and are part of the broadest selection in the industry.

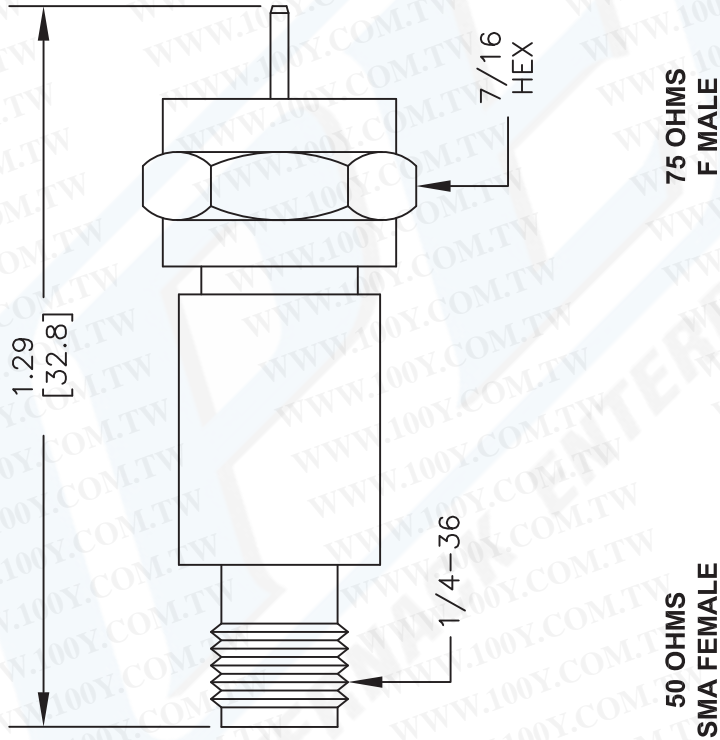
Click the following link (or enter part number in "SEARCH" on website) to obtain additional part information including price, inventory and certifications: [50 Ohm SMA Female To 75 Ohm F Male Matching Pad Operating From DC to 3 GHz RoHS Compliant PE7077](http://www.pasternack.com/50-ohm-sma-female-75-ohm-f-male-matching-pad-pe7077-p.aspx)

URL: <http://www.pasternack.com/50-ohm-sma-female-75-ohm-f-male-matching-pad-pe7077-p.aspx>

The information contained in this document is accurate to the best of our knowledge and representative of the part described herein. It may be necessary to make modifications to the part and/or the documentation of the part, in order to implement improvements. Pasternack reserves the right to make such changes as required. Unless otherwise stated, all specifications are nominal.

# PE7077 CAD Drawing

50 Ohm SMA Female To 75 Ohm F Male Matching Pad  
Operating From DC to 3 GHz RoHS Compliant



勝特力材料 886-3-5753170  
勝特力电子(上海) 86-21-34970699  
勝特力电子(深圳) 86-755-83298787  
[Http://www.100y.com.tw](http://www.100y.com.tw)

NOTES:  
1. UNLESS OTHERWISE SPECIFIED ALL DIMENSIONS ARE NOMINAL.  
2. ALL SPECIFICATIONS ARE SUBJECT TO CHANGE WITHOUT NOTICE AT ANY TIME.  
3. DIMENSIONS ARE IN INCHES [mm].

DWG TITLE  
**PE7077**

**PASTERNAK**  
Pasternack Enterprises, Inc.  
P.O. Box 16759 | Irvine | CA | 92623  
Phone: (949) 261-1920 | Fax: (949) 261-7451  
Website: [www.pasternack.com](http://www.pasternack.com) | E-Mail: [sales@pasternack.com](mailto:sales@pasternack.com)

REV. A	FSCM NO. 53919	CAD FILE 020612	SCALE N/A	SIZE A	2233
--------	----------------	-----------------	-----------	--------	------