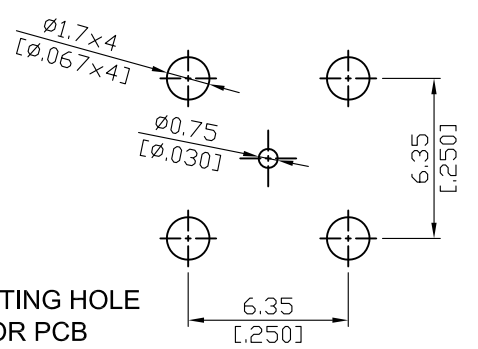
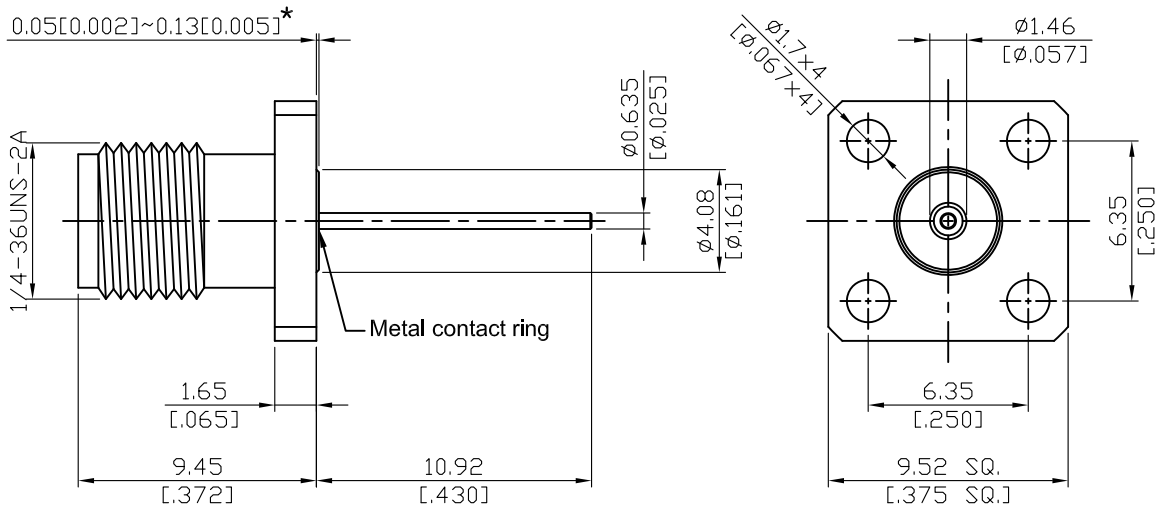


K8640-0/10.92

2.92mm jack SQ 9.5mm 4 hole flange with round contact
(Φ0.635;L=10.92); 40Ghz VSWR1.2

50Ω



*360° Raised Metal Contact Ring

MOUNTING HOLE FOR PCB

Parts	Material	Plating (Micro-inch)
Body	Stainless Steel	Passivated
Insulator	PEI	
Contact Pin	Beryllium Copper	Gold 4 Over Nickel-Phosphorus Alloy 80 Over Copper 20
Metal Contact Ring	Stainless Steel	Passivated

2.92 (K)

K8640-0/10.92

Interface

MIL-STD-348B

Mechanically compatible with

3.5 & SMA

Electrical Data

Impedance

50Ω

Frequency range

DC to 40GHz

VSWR

 ≤ 1.2 (DC to 40GHz)

Insertion loss

 $\leq 0.04 \times \sqrt{f(\text{GHz})}$ dB

Insulation resistance

 $\geq 5000\text{M}\Omega$

Contact resistance inner conductor

 $\leq 3\text{m}\Omega$

Contact resistance outer conductor

 $\leq 2\text{m}\Omega$

Dielectric withstanding voltage (at sea level)

750 V rms

Working Voltage (at sea level)

250 V rms

RF leakage

 $\geq 100\text{dB}$ to 1GHz

Mechanical Data

Recommended coupling nut torque

11.47 inch lbs

Coupling proof torque

15 inch lbs

Contact Captivation-axial

 ≥ 4.9 lbs

Durability (mating)

 ≥ 500

Environmental Data

Temperature range

-40°C to +165°C

Thermal shock

MIL-STD-202, Method 107, Condition B

Moisture resistance

MIL-STD-202, Method 206

Corrosion

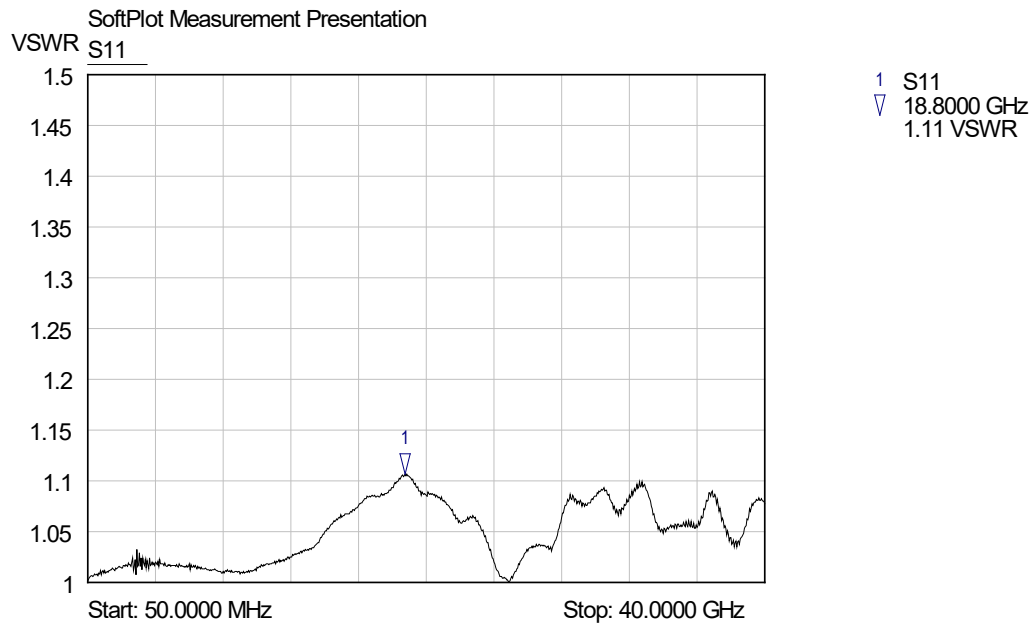
MIL-STD-202, Method 101, Condition B

RoHS

Compliant

Tooling

K8640-0/10.92 (tested back to back)



勝特力電材超市-龍山店 886-3-5773766
勝特力電材超市-光復店 886-3-5729570
勝特力電子(上海) 86-21-34970699
勝特力電子(深圳) 86-755-83298787
<http://www.100y.com.tw>