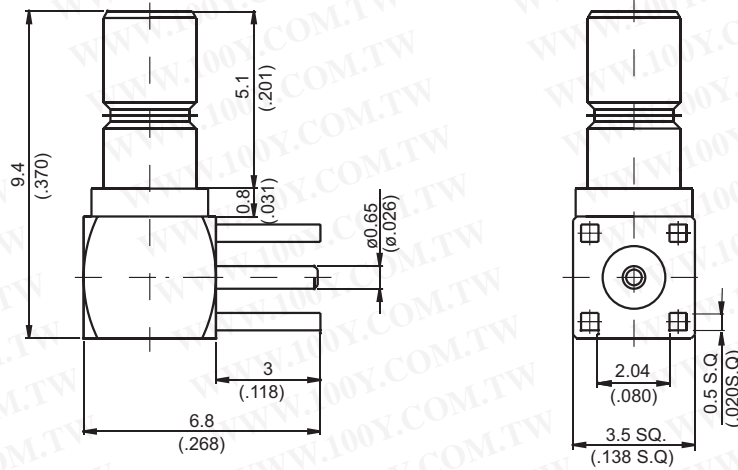
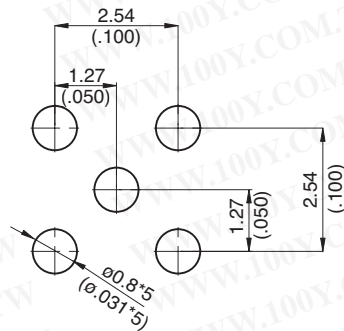


SSMB8400-9000

SSMB Jack For P.C.B. Mount Right Angle 50Ω



MOUNTING HOLE :



Parts	Material	Plating(Micro-inch)
Cover	Brass	Gold 20 Over Nickel 50 Over Copper 50
Contact Pin	Brass	Gold 20 Over Nickel 50 Over Copper 50
Contact Pin	Brass	Gold 20 Over Nickel 50 Over Copper 50
Insulator	Teflon	
Body	Brass	Gold 5 Over Nickel 50 Over Copper 50

Weight: 0.5 g

This Part number complies with RoHS.

Notice: JYBAO reserves the right to make modifications deemed appropriate.