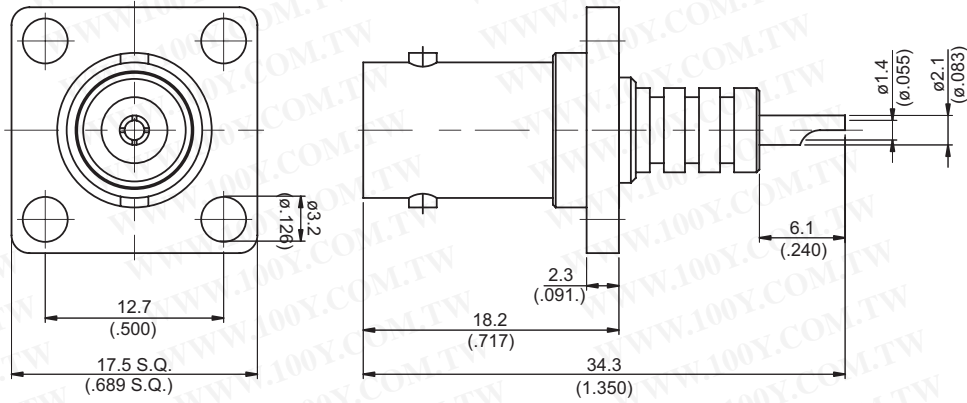


勝特力材料 886-3-5753170
 勝特力电子(上海) 86-21-34970699
 勝特力电子(深圳) 86-755-83298787
 Http://www.100y.com.tw

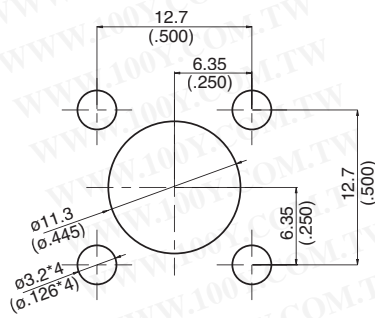
MHV864A-0000

MHV Jack For Panel Receptacle

50Ω



MOUNTING HOLE



Parts	Material	Plating(Micro-inch)
Contact Pin	Brass	Gold 5 Over Nickel 50 Over Copper 50
Insulator	Teflon	
Body	Brass	Tin-Zinc-Copper-Alloy 100 Over Copper 50

Weight: 10.67 g

This part number complies with RoHS.

Notice: JYEBAO reserves the right to make modifications deemed appropriate.