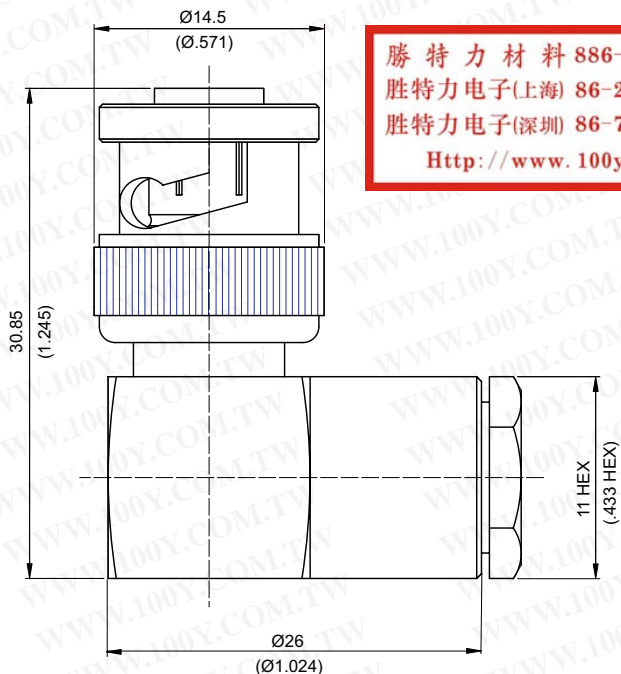


MHV3200-9058

MHV Plug Clamp Right Angle 50Ω



勝特力材料 886-3-5753170
 勝特力电子(上海) 86-21-34970699
 勝特力电子(深圳) 86-755-83298787
[Http://www.100y.com.tw](http://www.100y.com.tw)

Parts	Material	Plating(Micro-inch)
Nut	Brass	Tin-Zinc-Copper-Alloy 100 Over Copper 50
Insulator	Teflon	
Hex Nut	Brass	Tin-Zinc-Copper-Alloy 100 Over Copper 50
Washer	Brass	Tin-Zinc-Copper-Alloy 100 Over Copper 50
Gasket	Silicon	
Braid Clamp	Brass	Tin-Zinc-Copper-Alloy 100 Over Copper 50
Spring	SK5	Tin-Zinc-Copper-Alloy 100 Over Copper 50
Contact Pin	Brass	Gold 4 Over Nickel-Phosphorous Alloy 80 Over Copper 20
Body	Brass	Tin-Zinc-Copper-Alloy 100 Over Copper 50
Contact Body	Brass	Tin-Zinc-Copper-Alloy 100 Over Copper 50
Coupling Nut	Brass	Tin-Zinc-Copper-Alloy 100 Over Copper 50

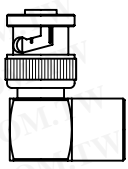
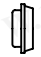





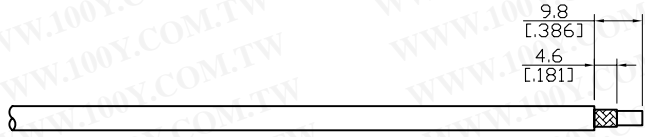
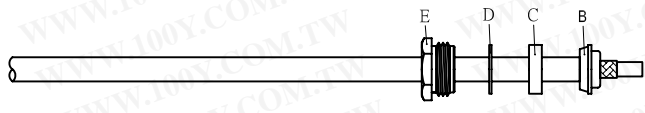

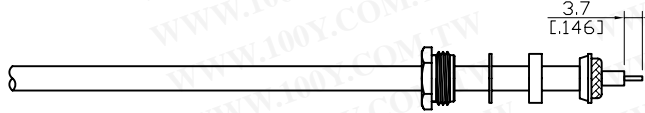


Weight:

Suitable Cables:RG55, RG58, RG142, RG142-E, RG400, JBY195

This part number complies with RoHS.

Notice: JYEBAO reserves the right to make modifications deemed appropriate.

CABLE ASSEMBLY INSTRUCTION

MHV3200-9058	DATE	2017/01/03	REV	—		
 A BODY	 B BRAID CLAMP	 C GASKET	 D WASHER	 E HEX NUT	 F INSULATOR	 F NUT + GASKET
DIAGRAM	ASSEMBLY INSTRUCTION					
	Step 1: STRIP AS SHOWN.					
	Step 2: SLIDE NUT " E " 、 WASHER " D " 、 GASKET " C " AND BRAID CLAMP " B " OVER CABLE.					
	Step 3: WRAP THE BRAIDING OVER " B ".					
	Step 4: STRIP AS SHOWN.					
	Step 5: SCREW HEX NUT " E " ON THE CONNECTOR BODY " A " AND SOLDER IN " Y ".					
	Step 6: SLIDE INSULATOR " F " INTO THE CONNECTOR BODY " A ". Step 7: FINALLY SCREW NUT " G " ON THE CONNECTOR BODY " A ".					
<div style="border: 2px solid red; padding: 5px; width: fit-content; margin: auto;"> <p style="margin: 0;"> 勝特力材料 886-3-5753170 胜特力电子(上海) 86-21-34970699 胜特力电子(深圳) 86-755-83298787 Http://www.100y.com.tw </p> </div>						
This part number complies with RoHS. Notice: JYEBAO reserves the right to make modifications deemed appropriate.						
APPROVED	CHECKED	DRAWING				