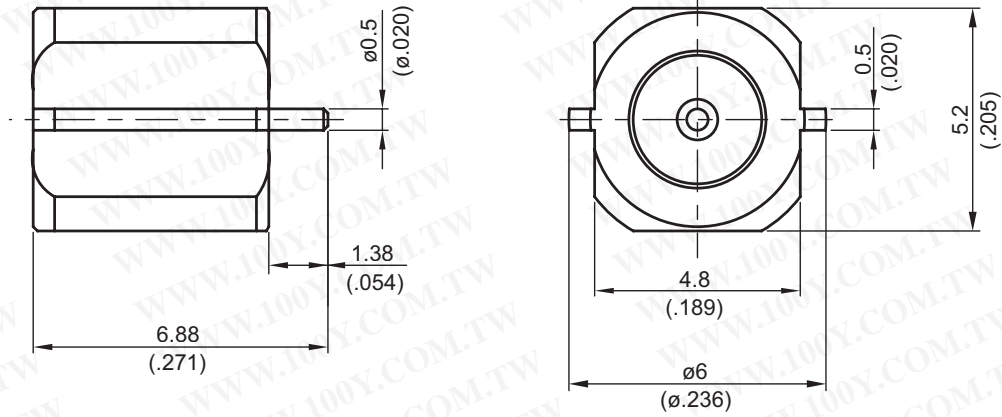
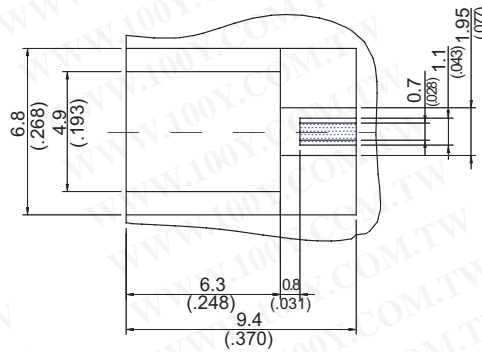


MCX8400P-0000

MCX Jack P.C.B. Edge Mount 50Ω



MOUNTING HOLE :



Parts	Material	Plating (Micro-inch)
Contact Pin	Phosphor Bronze	Gold 20 Over Nickel 50 Over Copper 50
Insulator	Teflon	
Body	Brass	Gold 5 Over Nickel 50 Over Copper 50

Weight: 0.74 g

This part number complies with RoHS.