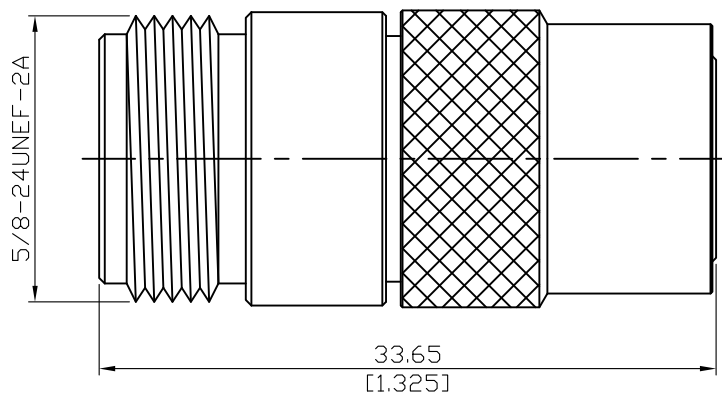


AD-N8NQ8-NL

N Jack to N Snap On Jack Without Locking Mechanism;
18GHz VSWR 1.25

50Ω

勝特力電材超市-龍山店 886-3-5773766
 勝特力電材超市-光復店 886-3-5729570
 勝特力电子(上海) 86-21-34970699
 勝特力电子(深圳) 86-755-83298787
<http://www.100y.com.tw>

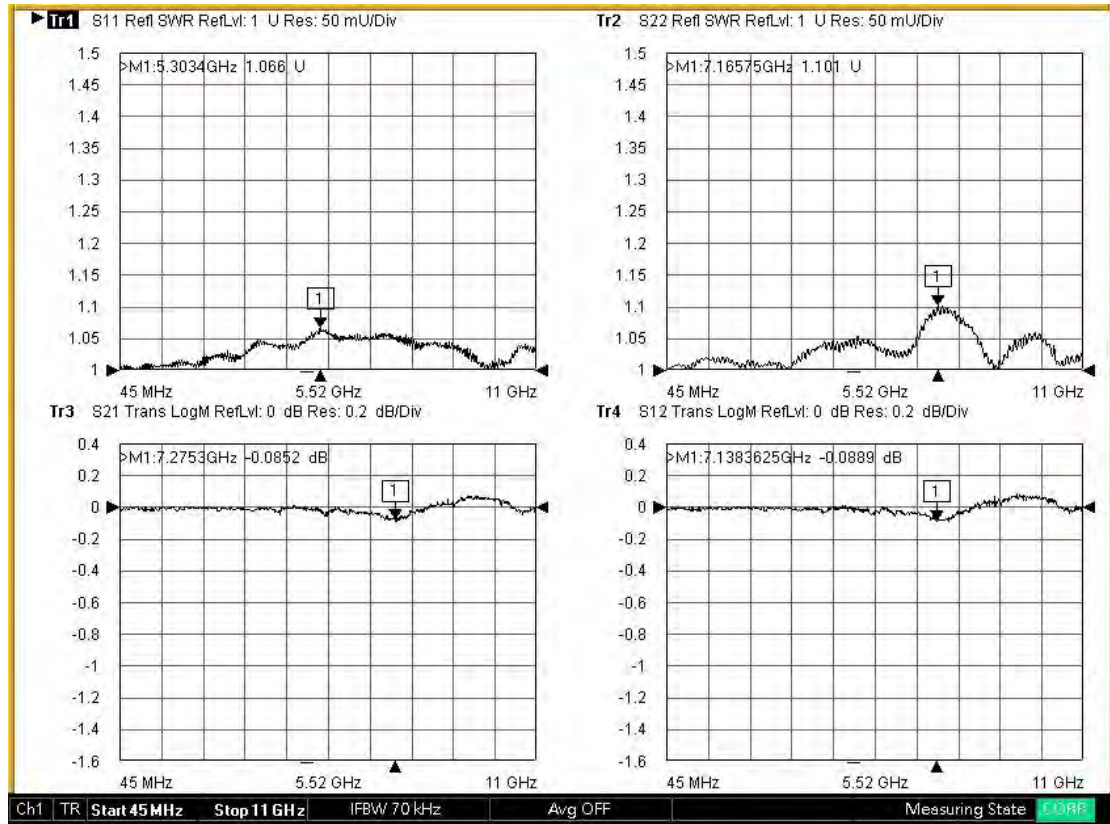


Parts	Material	Plating (Micro-inch)
Retainer Ring	Stainless Steel	Passivated
Body	Brass	Tin-Zinc-Copper-Alloy 100 Over Copper 50
Insulator	Teflon	
Contact Pin	Beryllium Copper	Gold 4 Over Nickel-Phosphorus Alloy 80 Over Copper 20

--	--

AD-N8NQ8-NL	N Jack to N Snap On Jack Without Locking Mechanism; 18GHz VSWR 1.25
<div data-bbox="129 344 531 394" style="border: 1px solid black; padding: 2px;">Interface</div> <p data-bbox="129 400 335 474">Screw Side Snap On Side</p> <p data-bbox="794 400 1150 474">MIL-STD-348B Per JYEBAO N Snap On</p>	
<div data-bbox="129 607 531 656" style="border: 1px solid black; padding: 2px;">Electrical Data</div> <p data-bbox="129 663 858 696">Impedance 50Ω</p> <p data-bbox="129 707 991 741">Frequency Range DC to 18GHz</p> <p data-bbox="129 752 1126 786">VSWR ≤ 1.25 (DC To 18GHz)</p> <p data-bbox="129 797 1086 831">Insertion Loss $\leq 0.05 \times \sqrt{f(\text{GHz})}$ dB</p> <p data-bbox="129 842 954 875">Insulation Resistance $\geq 5000\text{M}\Omega$</p> <p data-bbox="129 887 963 920">Dielectric Withstanding Voltage (at sea level) 2500 V rms</p> <p data-bbox="129 931 963 965">Working Voltage (at sea level) 1000 V rms</p>	
<div data-bbox="129 1106 531 1155" style="border: 1px solid black; padding: 2px;">Mechanical Data</div> <p data-bbox="129 1162 1442 1196">Recommended Coupling Nut Torque 6 to 10 in-lbs (not applicable to snap on side)</p> <p data-bbox="129 1207 1374 1240">Coupling Proof Torque 15 in-lbs (not applicable to snap on side)</p> <p data-bbox="129 1252 927 1285">Contact Captivation-axial ≥ 6.3 lbs</p> <p data-bbox="129 1296 1437 1330">Durability (mating) ≥ 500(screw on side); ≥ 20000(snap on side)</p>	
<div data-bbox="129 1507 531 1556" style="border: 1px solid black; padding: 2px;">Environmental Data</div> <p data-bbox="129 1563 1034 1597">Temperature Range -65°C to +165°C</p> <p data-bbox="129 1608 1362 1641">Thermal Shock MIL-STD-202, Method 107, Condition B</p> <p data-bbox="129 1653 1177 1686">Moisture Resistance MIL-STD-202, Method 206</p> <p data-bbox="129 1697 1362 1731">Corrosion MIL-STD-202, Method 101, Condition B</p> <p data-bbox="129 1742 943 1776">RoHS Compliant</p>	

AD-N8NQ8-NL



勝特力電材超市-龍山店 886-3-5773766
勝特力電材超市-光復店 886-3-5729570
勝特力电子(上海) 86-21-34970699
勝特力电子(深圳) 86-755-83298787
<http://www.100y.com.tw>