

RG TYPE COAXIAL CABLE		RG174	
<b>DIMENSIONS</b>			
Center Conductor Diameter			
(inch)			0.0189
(mm)			0.48
Dielectric Diameter			
(inch)			0.06
(mm)			1.52
Braid Diameter			
(inch)			0.078
(mm)			1.98
Jacket			
(inch)			0.11
(mm)			2.79
<b>MATERIAL SPECIFICATIONS</b>			
Jacket			PVC
Braid			TPC (Single Braid)
Dielectric			PE
Center Conductor			7/0063 CW Wire
<b>ELECTRICAL CHARACTERISTICS</b>			
Impedance			50ohm
Capacitance (Nominal)			
(pF/ft)			30.5
(pF/m)			100
Velocity of Propagation (%)			65.9
Maximum Working Voltage			1100
Max. Cond. Resistance			
(Ohms/100Ft)			9.670
(Ohms/100m)			31.72
Corona Extinction Voltage			
(K VRMS)			1.5
Min. Dielectric Strength			
(KV RMS)			2.0
Max. Attenuation (dB/100Ft)		Attenuation	
Max Power (Watts)			Power
		dB/ 100Ft	dB/ 100M
100MHz		8.6	28
400MHz		17.7	58
1GHz		29	95
2.4GHz		48.7	160
5GHz		70.1	230
			18
<b>MECHANICAL CHARACTERISTICS</b>			
Max. Operating Temperature (°C)			-40/+80
Min. Bend Radius			
(inch)			0.48
(mm)			12.2
Weight			
(g/Ft)			3.5
(g/M)			11.5

This part number complies with RoHS.

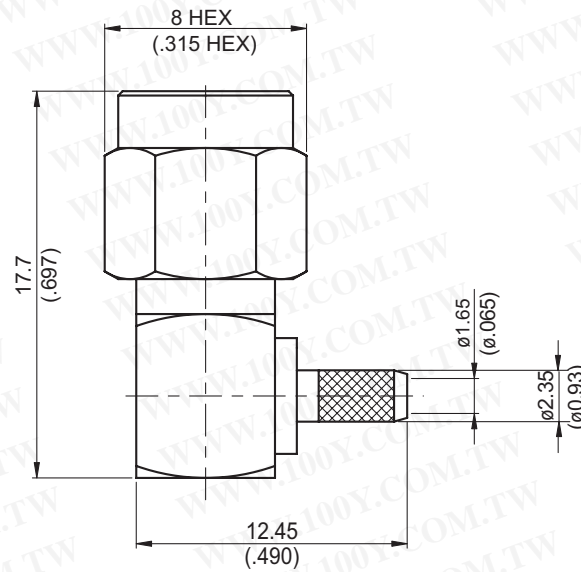
Notice: JYBAO reserves the right to make modifications deemed appropriate.

勝特力材料 886-3-5753170  
 勝特力电子(上海) 86-21-34970699  
 勝特力电子(深圳) 86-755-83298787  
[Http://www.100y.com.tw](http://www.100y.com.tw)

SMA3100-9316

SMA Plug Crimp Right Angle

50Ω



Parts	Material	Plating (Micro-inch)
Ferrule	Brass	Gold 5 Over Nickel 50 Over Copper 50
Cover	Brass	Gold 5 Over Nickel 50 Over Copper 50
Renbrock Ring	Beryllium Copper	Tin-Zinc-Copper-Alloy 100 Over Copper 50
Gasket	Silicon	
Contact Pin	Brass	Gold 20 Over Nickel 50 Over Copper 50
Insulator	Teflon	
Barrel	Brass	Gold 5 Over Nickel 50 Over Copper 50
Body	Brass	Gold 5 Over Nickel 50 Over Copper 50
Coupling Nut	Brass	Gold 5 Over Nickel 50 Over Copper 50

Weight: 4.8 g

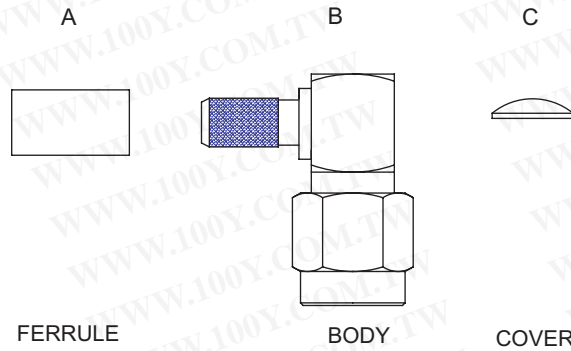
Suitable Cables: RG174, RG188, RG316, JBY100, RG316-E, RG316-FEP

Notice: JYBAO reserves the right to make modifications deemed appropriate.

# CABLE ASSEMBLY INSTRUCTION

SMA3100-9316

JYE BAO CO., LTD.



\* TOOLS AND FIXTURES ARE REFERENCE ON  
 PAGE 306 OF JYEBAO'S 2005 CATALOG.

DIAGRAM	ASSEMBLY INSTRUCTION
	<p>Step 1: STRIP AS SHOWN.</p>
	<p>           Step 2: SLIDE FERRULE "A" OVER CABLE.            Step 3: WRAP THE BRAIDING UPWARDS.            Step 4: SLIDE CENTER CONDUCTOR ON THE CONTACT PIN OF CONNECTOR "B", AND SOLDER IN "Y".         </p>
	<p>Step 5: SLIDE FERRULE "A" TOWARDS THE CONNECTOR "B" AND CRIMP.</p>
	<p>Step 6: PRESS ON THE TOP OF "C" WITH JIGS AS SHOWN.</p>

Notice: JYEBAO reserves the right to make modifications deemed appropriate.