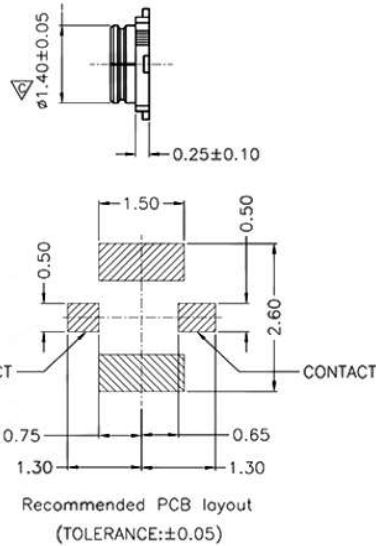
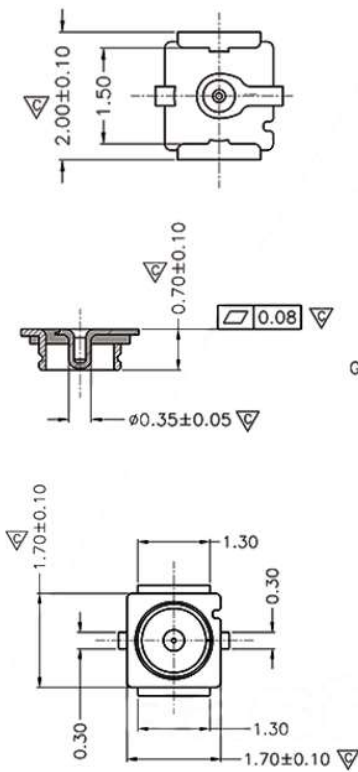
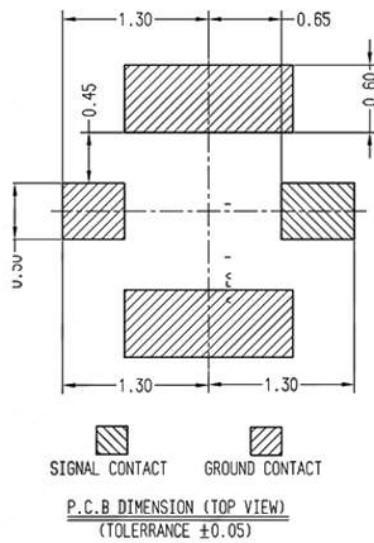
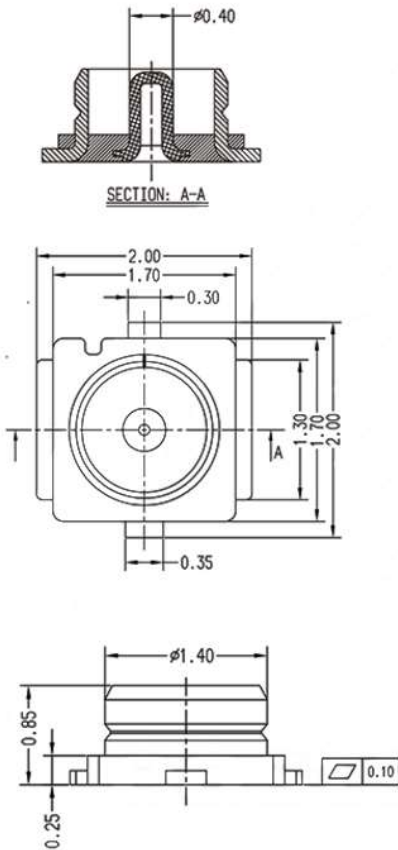


IPEX-4代



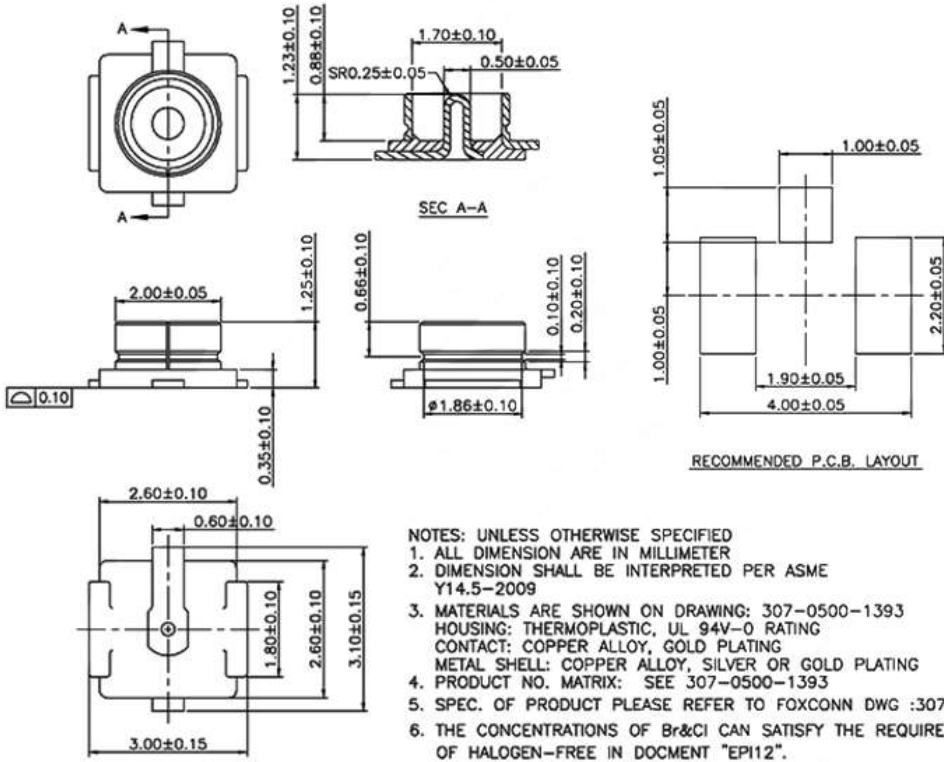
- NOTE:**
- HOUSING MATERIAL: LCP, BLACK, UL94V-0.
(塑料不能使用回收料)
 - TERMINAL MATERIAL: COPPER ALLOY (C2680),
Au:3u", Ni:50~120u".
 - SHELL MATERIAL: COPPER ALLOY (C5191),
Au:1~3u", Ni:50~120u".
 - ALL DIMENSIONS MARKED WITH ∇ ARE CRITICAL.
 - THESE PRODUCTS MEET ROHS REQUIREMENTS.

IPEX-3代

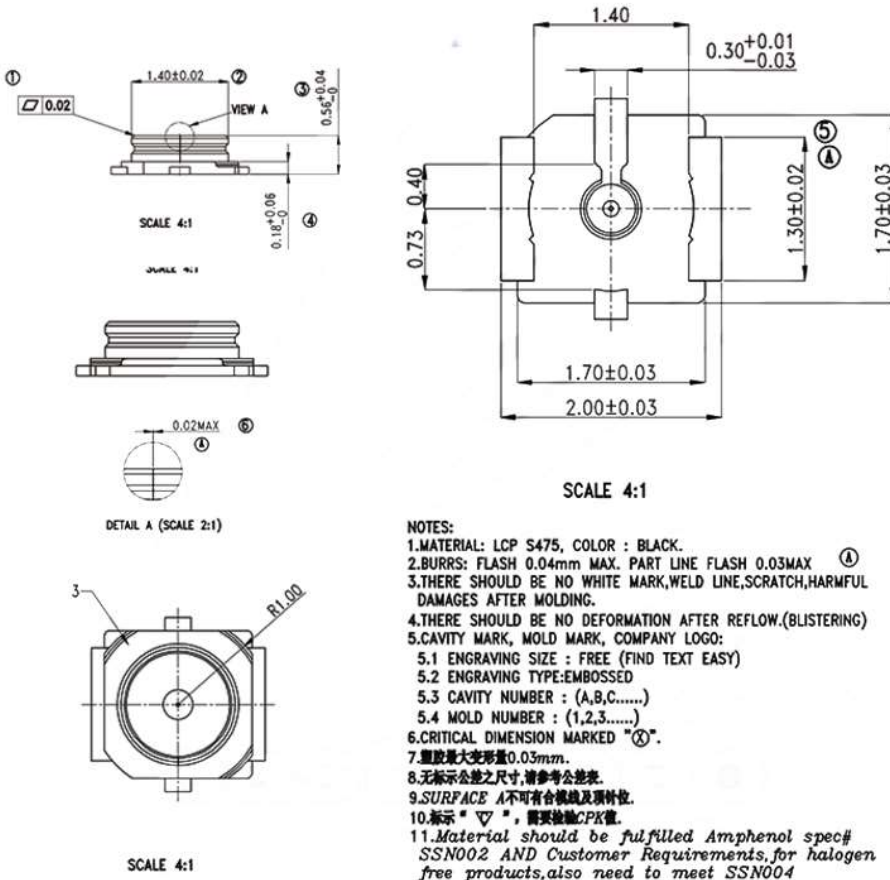


- NOTES:**
- FREQUENCY RANGE:
DC TO 6GHZ (VSWR: 1.3MAX AT 0.1~3GHZ, 1.5MAX AT 3~6GHZ)
 - CHARACTERISTIC IMPEDANCE: 50Ω (NOMINAL);
 - TEMPERATURE: -40° C TO +90° C;
 - RATED VOLTAGE : 60VAC;
 - CONTACT RESISTANCE :
20mΩ MAX. (SIGNAL CONTACT)
10mΩ MAX. OHM MAX. (GROUND CONTACT)
 - WITHSTAND VOLTAGE : 200VAC FOR 1 MINUTE MIN;
 - INSULATION RESISTANCE : 500MΩ MIN. AT 100VDC;
 - THIS COMPONENT IS HALOGEN FREE.

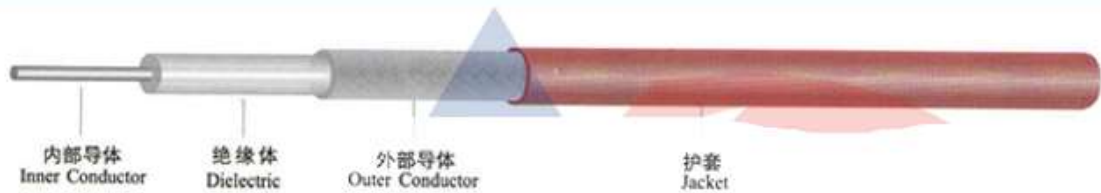
IPEX-1代



IPEX-5代



RG 178



型号 Model

FEP RG 178

描述 Description

(178)高频同轴电缆 FEP(茶色)护套
(178) High Frequency coaxial cable with FEP (Brown) jacket

结构参数 Structure parameter

内部导体 Inner Conductor	镀银铜包钢 Silver-Plated Copper Clad Steel	7x0.102mm
绝缘层 Insulation Layer	聚四氟乙烯(PTFE) Polytetrafluoroethylene(PTFE)	0.86mm
外部导体 Outer Conductor	镀银铜线编织 Silver-Plated Copper Wire Braiding	1.30mm
护套 Jacket	聚全氟乙丙烯(FEP),(茶色) Fluorinated Ethylene Propylene(FEP), Brown	1.83mm

电气特性 Electrical Data

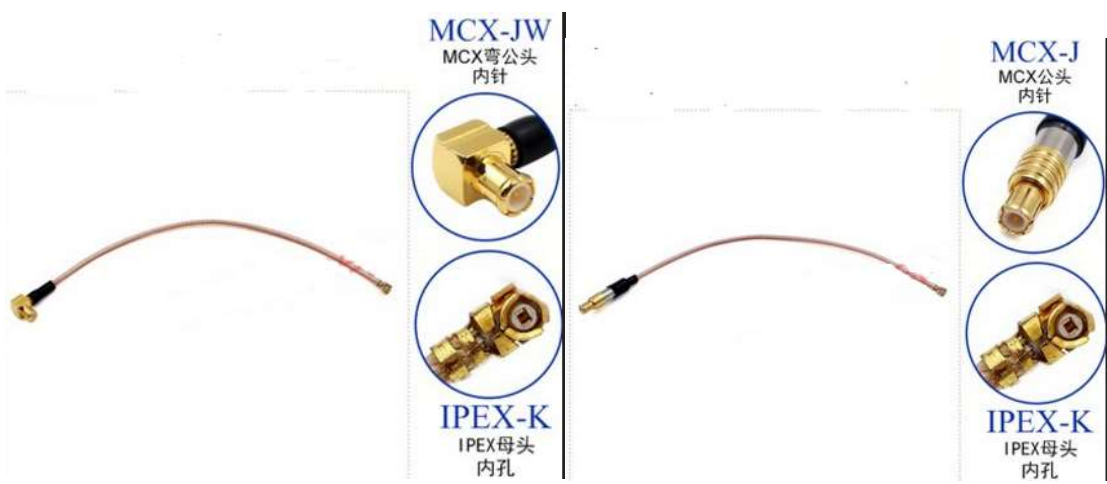
阻抗 Impedance	nominal	50ohms
电容 Capacitance	nominal	98pF/m
延时 Signal delay	nominal	4.7ns/m
耐电压 Voltage withstand	(AC)	1500V rms/min
绝缘电阻 Insulation resistance	nominal	1500 M $\Omega \cdot km$
传输速率 Velocity of propagation	nominal	70%

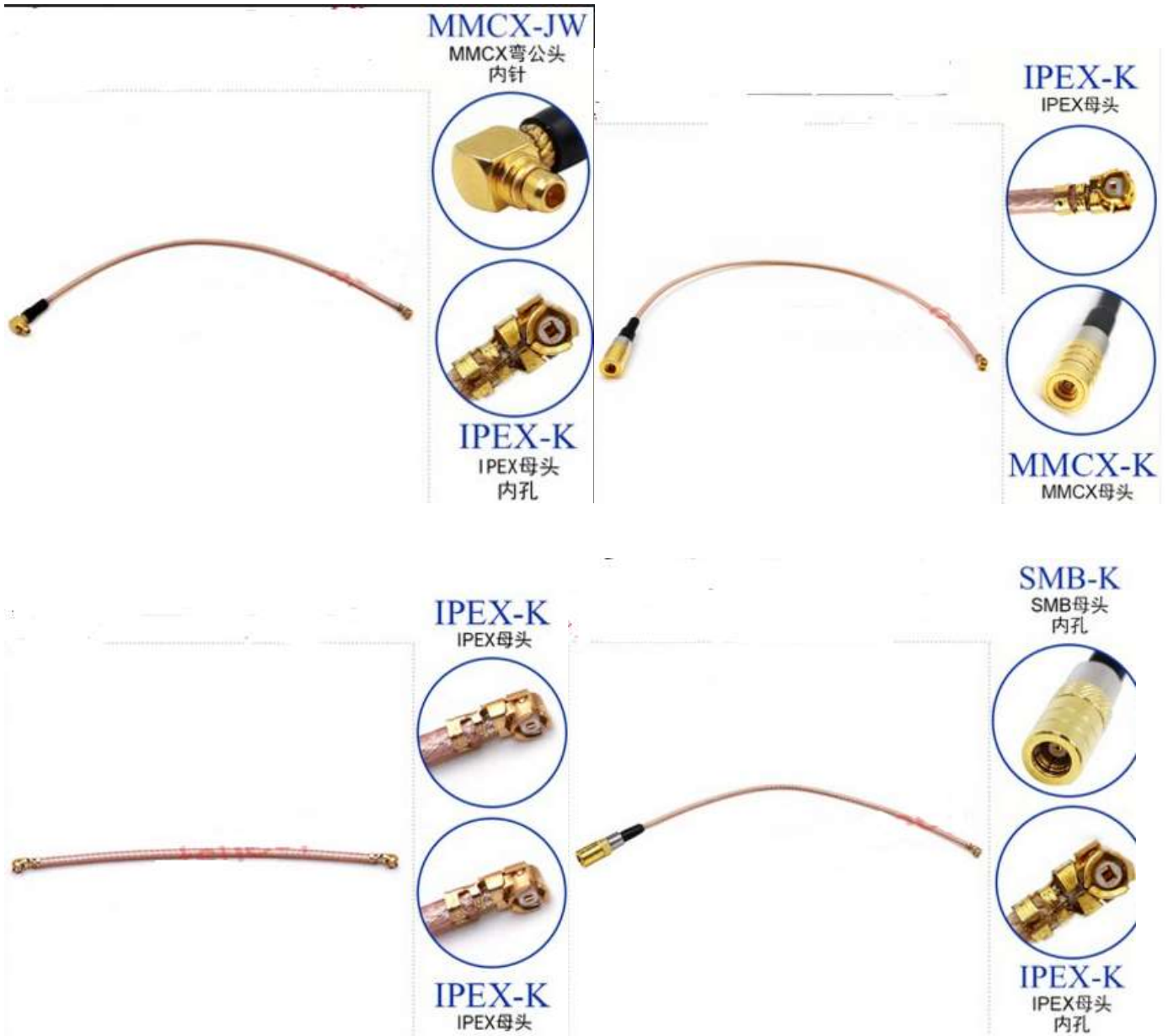
机械特性 Mechanical Data

恒定温度 Temperature rating		150°C
最小弯曲半径 Minimum bending radius		10mm
最大拉伸强度 Maximum tensile strength		1.8kg
重量 Weight of cable		8.0g/m

衰减量和功率 Attenuation and Power

频率数 Frequency(MHz)	衰减量 Attenuation(dB/m)	功率 Power(Watts CW)
100	0.58	225
400	1.05	115
900	1.58	72
1000	1.68	68
1800	2.24	47
2400	2.59	40
3000	2.91	34
5000	3.76	26
6000	4.13	23





IPEX-J-1代

- 1 IPEX公头
- 2 PCB面板插座

IPEX-J-3代

- 1 IPEX公头
- 2 PCB面板固定插座

