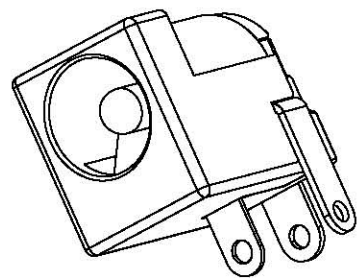
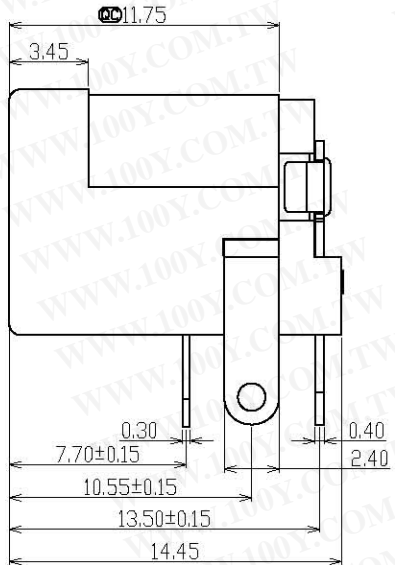
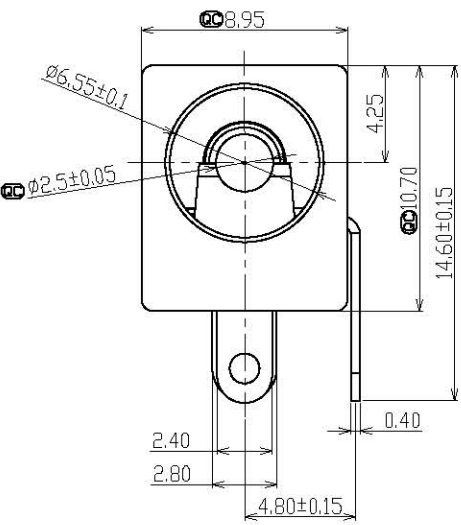
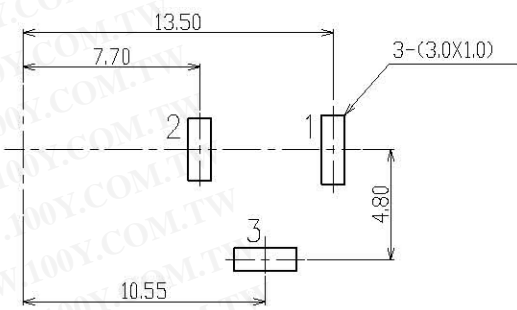
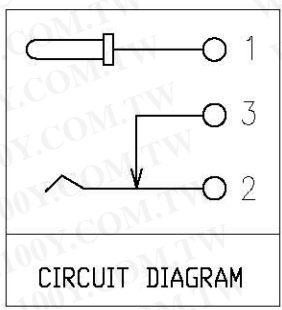
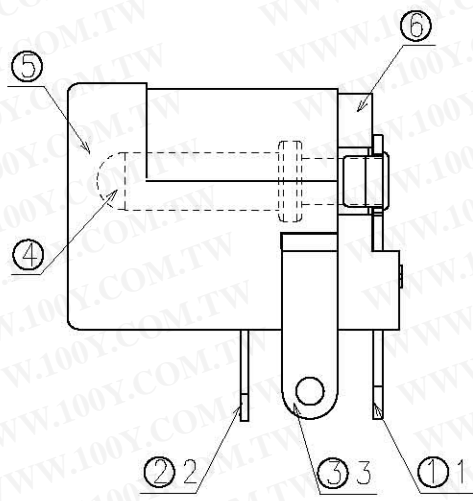
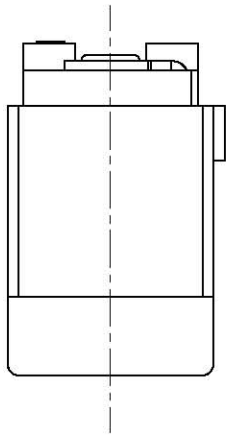


ECN NO.	REV	MODIFICATION	DATE	DRAW	APPROVE
	A1	NEW ISSUES	2009.07.02	JULY	ALAN



勝特力材料 886-3-5753170  
 勝特力电子(上海) 86-21-34970699  
 勝特力电子(深圳) 86-755-83298787  
[Http://www.100y.com.tw](http://www.100y.com.tw)

**LEAD FREE**

NO.	DESCRIPTION	QTY	MATERIAL	REMARK
6	COVER	1	PBT (Black)	
5	HOUSING	1	PBT (Black)	
4	PIN	1	H62	Ni-Plated
3	TERMINAL	1	BRASS t=0.40	Tin flash-Plated
2	TERMINAL	1	PHOSPHOR BRONZE t=0.30	Tin flash-Plated
1	TERMINAL	1	BRASS t=0.40	Tin flash-Plated

CAT. NO.	PIN	SCHEMATIC
HLD-2004DXG-001H	$\phi 2.0$	
HLD-2004DXJ-001H	$\phi 2.5$	

QC Inspection Item	DIMENSION IN mm [Inch]		
	TOLERANCE UNLESS OTHERWISE SPECIFIED		DWG NO. HLD-2004DXJ (XL)
	X $\pm 0.5$	X $\pm 3^\circ$	FILE NO. HLD-2004DX -001H
	XX $\pm 0.3$	XX $\pm 2^\circ$	TITLE DC POWER JACK
APPROVE JACK	CHECK ALAN	DRAW JULY	PROJ. SCALE 1:1
		SHEET 1 / 1	
		REV A1	

# SPECIFICATION

<b>TITLE</b> DC POWER JACK	<b>SPC. NO.</b>	<b>PAGE : 1 OF 3</b>
-------------------------------	-----------------	----------------------

## 1.Scope

This specification applies to unified polarity type DC jack used in electronic equipment.  
For DC input use.

## 2.Standard atmospheric conditions

Unless otherwise specified. The standard range of atmospheric condition for making measurements and tests are as follows :

Ambient temperature : 15°C to 35°C

Relative humidity : 25% to 80%

Air pressure : 86kPa to 106kPa

If there is any doubt about the results, measurements shall be made within the follow limits:

Ambient temperature : 20±2°C

Relative humidity : 60% to 70%

Air pressure : 86kPa to 106kPa

## 3.Mechanical characteristics

	Item	Conditions	Specification
1	Insertion force	Measurement shall be made after insertion and withdrawal using standard plug gauge 3 times.	2.94~29.4N (0.3~3kgf)
2	Withdrawal force	Measurement shall be made after insertion and withdrawal using standard plug gauge 3 times.	

勝特力材料 886-3-5753170  
勝特力电子(上海) 86-21-34970699  
勝特力电子(深圳) 86-755-83298787  
[Http://www.100y.com.tw](http://www.100y.com.tw)

ISSUE	DATE	WRTN	CHKD	APVD	DESCRIPTIONS
A/0	2008/1/3	JULY	ALAN	JACK	

# SPECIFICATION

<b>TITLE</b> DC POWER JACK	<b>SPC. NO.</b>	<b>PAGE : 2 OF 3</b>
-------------------------------	-----------------	----------------------

## 4. Electrical characteristics

	Item	Conditions	Specification
1	Rating		DC 12V · 1A
2	Contact resistance	1K Hz Measured at small current (1A or less)	30 mΩ or less
3	Insulation resistance	A voltage of 500V DC shall be applied for a minute. Between conductors which should not make contact under normal conditions after which measurement shall be made.	100MΩ MIN.
4	Dielectric strength	Between conductors which should not make contact under normal conditions. 500V AC (50 to 60Hz) for 1 min.(trip current 2mA)	Without distinct damage.

## 5. Endurance characteristics

	Item	Conditions	Specification
1	Solderability	The terminals shall be dipped into soldering flux, and shall be immersed into molten solder of 230°C±5°C for a period 3±0.5 seconds.	A new uniform coating of solder shall cover a minimum of 75% of the surface being immersed.
2	Resistance to soldering heat	Solder temperature : 350°C±10°C Immersion depth : 2±0.5mm Immersion time : 3±0.5 seconds By a soldering iron to have a capacity of 60 watts.	Electrical and mechanical characteristics shall be satisfied.
3	Cold	The jack shall be stored at a temperature of -40°C±2°C for 96 hours. And then it shall be subjected to the controlled recovery conditions for 0.5 hours after which measurement shall be made.	Electrical and mechanical characteristics shall be satisfied.
4	Dry heat	The jack shall be stored at a temperature of 70°C±2°C for 96 hours. And then it shall be subjected to the controlled recovery conditions for 0.5 hours after which measurement shall be made.	There shall be not show remarkable failure.
5	Humidity	The Pin Jack shall be subject to 90%~95%RH, 40°C±2°C for 96 hours, and shall then be conditioned at room ambient conditions for a period of 30 minutes.	Electrical and mechanical characteristics shall be satisfied. Insulation resistance : 30MΩ MIN. Contact resistance : 50mΩ MAX.

# SPECIFICATION

<b>TITLE</b> DC POWER JACK	<b>SPC. NO.</b>	<b>PAGE : 3 OF 3</b>
-------------------------------	-----------------	----------------------

Item	Conditions	Specification
6 Life test	Insertion and withdrawal shall be made with the mating plugs and jacks for 5000 cycles at a speed of 10~30 cycles/min.	Insertion force : 29.4N MAX (3Kgf) Withdrawal force : 1.96~29.4N (0.2~3kgf) Contact resistance : Between plug and contact : 100 MΩ MAX. Each closed contact : 60 MΩ MAX.

## 6.Warning:

Dc power jack shall be dipped, warning to inferior contact by flux and transform mold.

Resistance to flux : It shall be prevention between PCB and housing.

Transform mold : It must not add direct heat to Dc power jack

Temperature of solder : 255°C MAX.

Preheat temperature : 90°C MAX.

Preheat time : 2 minute MAX.

勝特力材料 886-3-5753170  
勝特力电子(上海) 86-21-34970699  
勝特力电子(深圳) 86-755-83298787  
[Http://www.100y.com.tw](http://www.100y.com.tw)